

# DOLBY FM ADAPTOR CIRCUIT

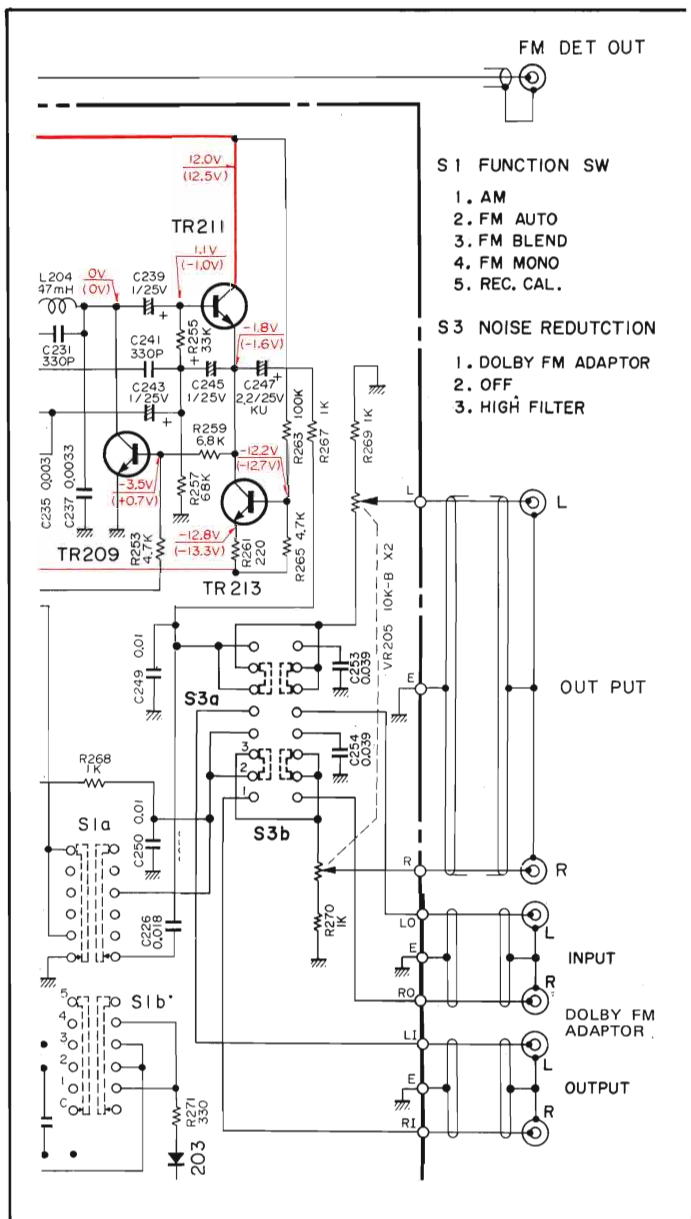
## U.S. & CANAKIAN MODEL

These models employ Dolby FM Adaptor so circuit diagram of output section is different from Basic Schematic Diagram as shown at right hand side.

## VALUE OF ELEMENTS

The differential of value of resistors and capacitors used by export zone shows in the following table.

Models Elements	BS., EUROPEAN, AUSTRALIAN	US., CANADIAN, GENERAL
C233, 234	270pF (Ceramic)	680pF (Ceramic)
C235, 236	0.003μF (Myler)	0.0047μF (Myler)
C237, 238	0.0033μF (Myler)	0.0047μF (Myler)
C249, 250	0.01μF (Myler)	0.011μF (Myler)
C251, 252	6.8KΩ (FCR25)	5.6KΩ (FCR25)
R267, 268	9KΩ (FCR25)	1.2KΩ (FCR25)



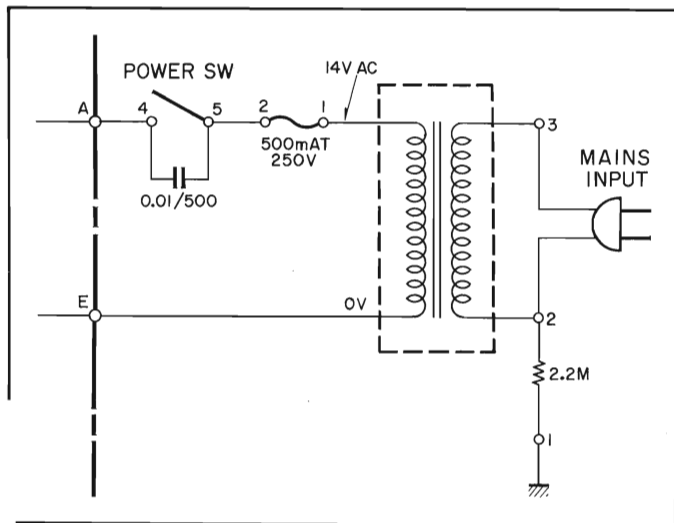
## POWER SUPPLY CIRCUIT

The differential of Power Supply Circuits by export zone is shown in following figures.

## US., CANADIAN & AUSTRALIAN MODELS

Used Transformer

US., CANADIAN	(120V-14V)	GA60991
AUSTRALIAN	(240V-14V)	GA60992



## GENERAL, BS. & EUROPEAN MODELS

Used Transformer

(110, 120, 130/220, 230, 240V-14V) GA60992

