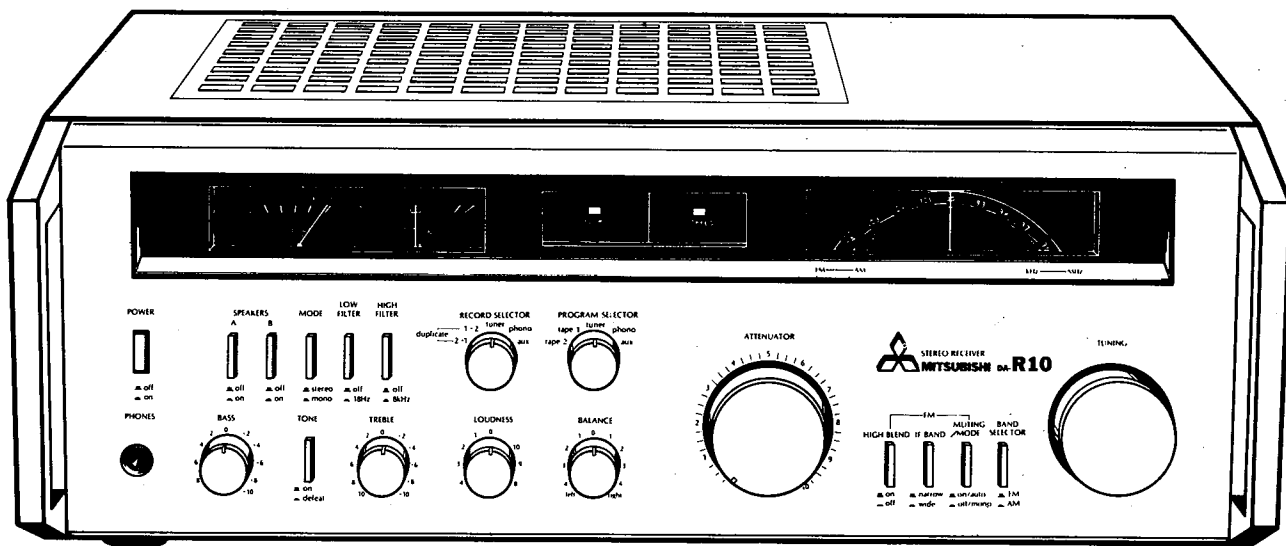




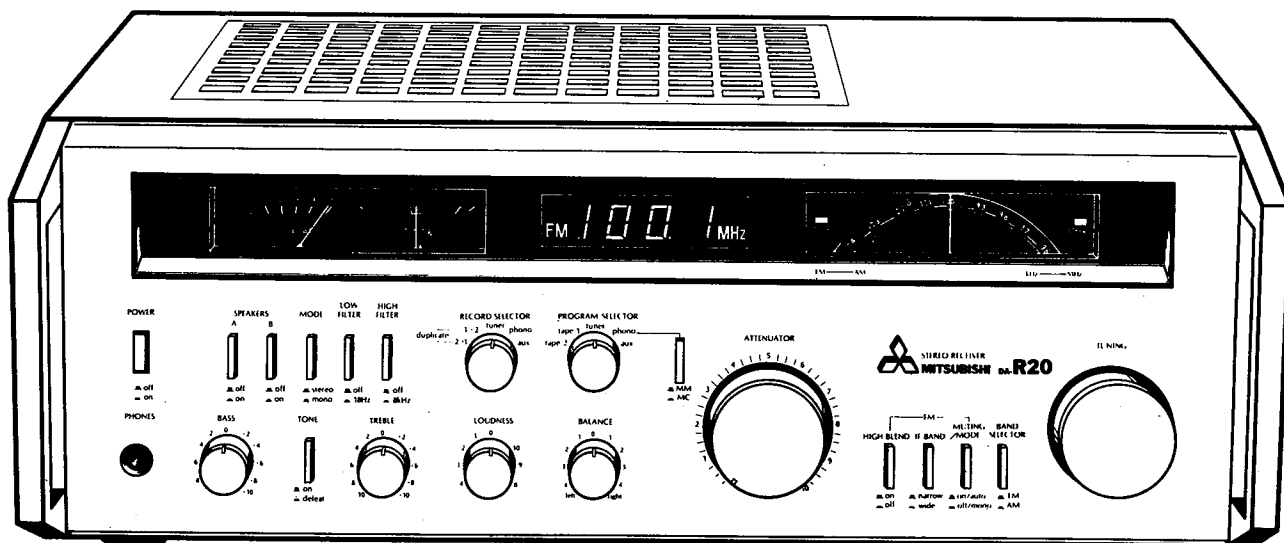
SERVICE MANUAL

AM/FM STEREO RECEIVER

MODEL DA-R10·DA-R20



DA-R10



DA-R20

This service manual covers both the DA-R10 and DA-R20. In the parts list description, R10 and R20 is written to identify it.

MITSUBISHI ELECTRIC SALES AMERICA, INC.

3030 East Victoria Street • Compton, California 90221

SPECIFICATIONS

	DA-R20	DA-R10
Minimum continuous output power	60W per channel, both channels driven at 8 ohms from 20 Hz to 20 kHz with no more than 0.02% T.H.D.	45W per channel, both channels driven at 8 ohms from 20 Hz to 20 kHz with no more than 0.02% T.H.D.
	65W per channel, both channels driven into 8 ohms at 1 kHz with 0.02% T.H.D.	50W per channel, both channels driven into 8 ohms at 1 kHz with 0.02% T.H.D.
	80W per channel, both channels driven into 4 ohms at 1 kHz with 0.02% T.H.D.	60W per channel, both channels driven into 4 ohms at 1 kHz with 0.02% T.H.D.
Dynamic head room	1.0 dB	1.0 dB
Power bandwidth (0.1% T.H.D.)	0 -3 dB, 10 Hz - 80 kHz	0 -3 dB, 10 Hz - 80 kHz
Damping factor (20 Hz - 20 kHz)	120	110
Input sensitivity/impedance		
PHONO MC	100 μ V/10 ohms	-
PHONO MM	2.5mV/47k ohms	2.5mV/47k ohms
AUX, PLAY	150mV/33k ohms	150mV/33k ohms
Maximum input level		
Phono MC	7mV	-
Phono MM	140mV	140mV
Output level/impedance REC OUT 1, 2	150mV/220 ohms	150mV/220 ohms
Frequency response		
PHONO MC	± 0.3 dB, 20 Hz - 20 kHz, RIAA	-
PHONO MM	± 0.3 dB, 20 Hz - 20 kHz, RIAA	± 0.3 dB, 20 Hz - 20 kHz, RIAA
AUX, PLAY	+0.2 dB, DC - 100 kHz -2	+0.2 dB, DC - 100 kHz -2
Total harmonic distortion		
PHONO MC		
(ATT -20 dB, 30W output)	0.01%	-
(1V output, 20 Hz - 20 kHz)	0.02%	0.02% (R10 20W)
PHONO MM		
(ATT -20 dB, 30W output)	0.01%	-
(1V output, 20 Hz - 20 kHz)	0.02%	0.02% (R20 20W)
AUX, PLAY		
(half power)	0.01% (30W)	0.01% (22.5W)
MAIN IN		
(half power)	0.007% (30W)	-
Intermodulation distortion		
AUX, PLAY		
(rated power)	0.02%	0.02%
(half power)	0.01%	0.01%
Signal to noise ratio		
(IHF A-weight)		
PHONO MC 500 μ V)	89 dB	-
PHONO MC (New IHF)	85 dB	-
PHONO MM (10mV)	94 dB	94 dB
PHONO MM (New IHF)	78 dB	78 dB
AUX, PLAY (rated)	106 dB	106 dB
AUX, PLAY (New IHF)	87 dB	87 dB
Residual noise (IHF A-weighted)	0.1mV	0.1mV
Tone control		
BASS	boost/cut	boost/cut
TREBLE	boost/cut	boost/cut
Loudness control (attenuation)	Level related equalization -20 dB	Level related equalization -20 dB
Filter characteristics		
Low filter	18 Hz, 12 dB/oct	18 Hz, 12 dB/oct
High filter	18 kHz, 12 dB/oct	18 kHz, 12 dB/oct

FM SECTION

	DA-R20	DA-R10
Tuning range	87.5 ~ 108 MHz	87.5 ~ 108 MHz
Usable sensitivity	9.3 dBf (1.6 μ V)	9.3 dBf (1.6 μ V)
50 dB quieting sensitivity		
MONO	15.0 dBf (3.0 μ V)	15.0 dBf (3.0 μ V)
STEREO	36.8 dBf (38 μ V)	36.8 dBf (38 μ V)
Image response ratio	85 dB	50 dB
IF response ratio	100 dB	90 dB
Spurious response ratio	100 dB	80 dB
AM suppression ratio	60 dB	60 dB
Capture ratio	1.5 dB	1.5 dB
Alternate channel selectivity		
WIDE	60 dB	60 dB
NARROW	75 dB	75 dB
Signal to noise ratio		
MONO (65 dBf)	84 dB	84 dB
STEREO (80 dBf)	80 dB	80 dB
Total harmonic distortion		
MONO		
WIDE	0.08%	0.08%
NARROW	0.15%	0.15%
STEREO		
WIDE	0.1%	0.1%
NARROW	0.2%	0.2%
Subcarrier product ratio	60 dB	60 dB
Stereo separation		
WIDE		
100 Hz	42 dB	42 dB
1 kHz	46 dB	46 dB
10 kHz	43 dB	43 dB
NARROW		
100 Hz	36 dB	36 dB
1 kHz	40 dB	40 dB
10 kHz	40 dB	40 dB
HI-BLEND ON		
100 Hz	37 dB	37 dB
1 kHz	20 dB	20 dB
Frequency response		
50 Hz to 15 kHz	± 0.5 dB	± 0.5 dB
30 Hz to 16 kHz	+0.5 dB -1.0	+0.5 dB -1.0

AM SECTION

Tuning range	525 ~ 1,605 kHz	525 ~ 1,605 kHz
Usable sensitivity	300 μ V/m	300 μ V/m
Selectivity	30 dB	30 dB
Signal to noise ratio	52 dB	52 dB
Image response ratio	47 dB	47 dB
IF response ratio	35 dB	35 dB
Total harmonic distortion	0.5%	0.5%

GENERAL

Power consumption (IHF nominal)	210W	160W
Dimensions (W x H x D)	470 x 169 x 410 mm (18-1/2 x 6-5/8 x 16-1/8")	470 x 169 x 410 mm (18-1/2 x 6-5/8 x 16-1/8")
Weight	14.0 kg (31 lbs)	12.2 kg (27 lbs)

DISASSEMBLY INSTRUCTIONS

1. Remove CABINET (Top)

Insert a metal rod into the hole A of the CAP as shown in Fig. 1 and remove the CAP, and remove screws (4).

2. Remove BASE-ASSY. (Bottom)

Remove nine screws as shown in Fig. 2.

3. Removing PANEL-ASSY (Front)

- (1) Remove the screws (4) as shown in Fig. 3.
- (2) Remove two set screws on top and bottom of the panel, total four screws.
- (3) Loosen the set screw fixing KNOB-METAL (TUNING) by means of a hexagonal wrench of 2 mm in width, and remove KNOB.
- (4) Pull off all the remaining knobs.

4. Remove the coupler of SW-ROTARY (S6, S7). (Inside)

As shown in the exploded view of the cabinet attached to the end of the manual, the SW-ROTARY (S6, S7) is separated into three parts when the coupler is removed.

a. Disassembly

- The wire and SW slide are connected by the part (A) shown in Fig. 4 and 5. Disconnect that part.
- Insert a thin screwdriver into the part (B) shown in Fig. 4 and 5, and remove the part (A) to one side as shown in Fig. 4. Then, hold the floated part (C), and insert the screwdriver tip into the clearance of the part (D) and push it up to remove it. Remove in the same manner for the ROTARY portion of the switch.

b. Assembly

- Turn the knob of SW-ROTARY fully counter-clockwise to set it to the position of the part (A) in Fig. 6 (closest to rear panel).
- Move the movable part on the SW slide toward the rear panel and connect it.
- After connecting, check SW operation.

5. Removing METER

- (1) Remove two set screws securing the meter, and remove HOLDER-U.
- (2) Pull the meter backwards to detach the double adhesive tape on the front side of the meter and then the meter can be removed. (When the front panel has been removed, push the front side of the meter with both thumbs.)

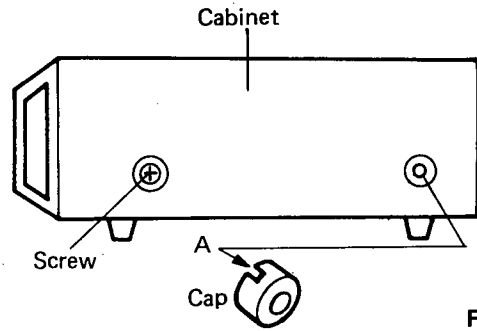


Figure 1

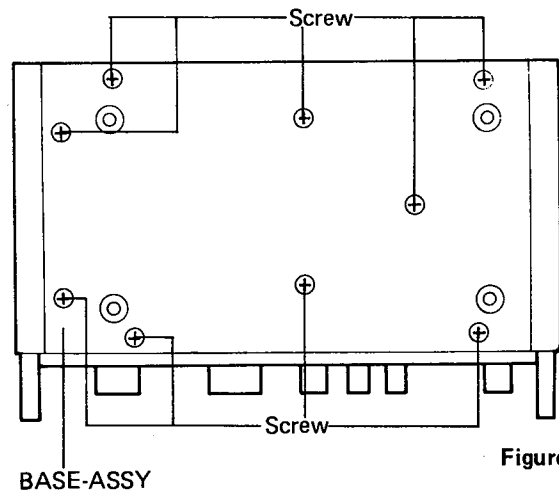


Figure 2

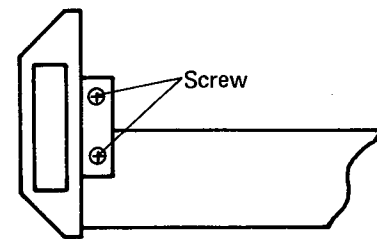
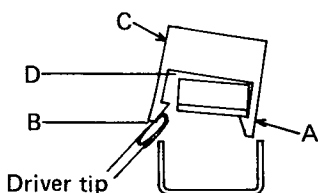
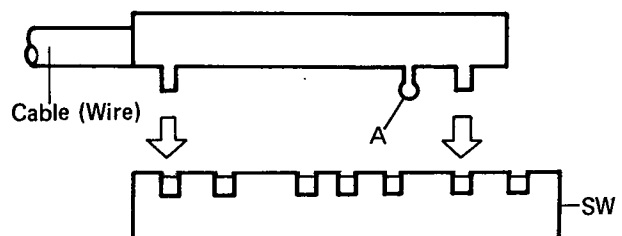
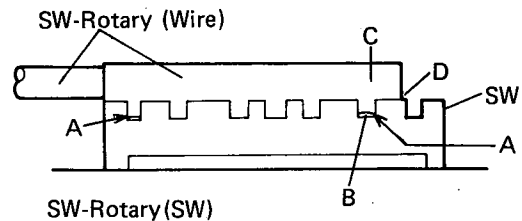
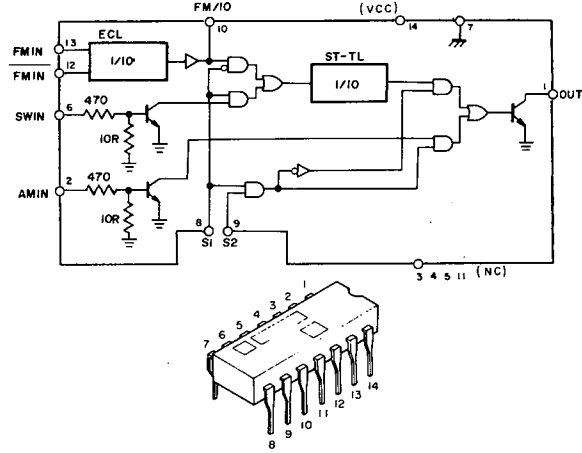


Figure 3

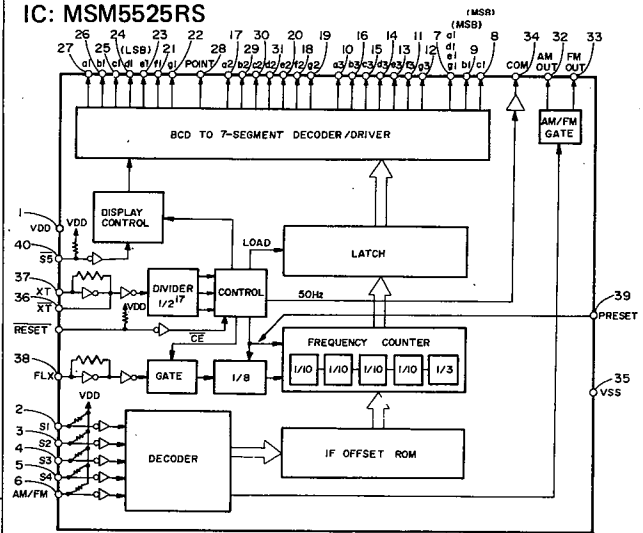


SEMI-CONDUCTOR LEAD IDENTIFICATION

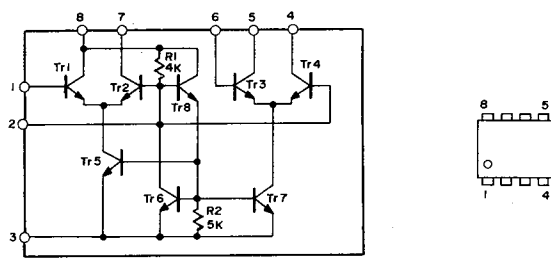
IC: MSL2318RS



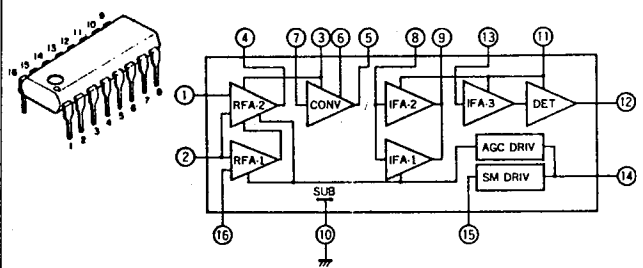
IC: MSM5525RS



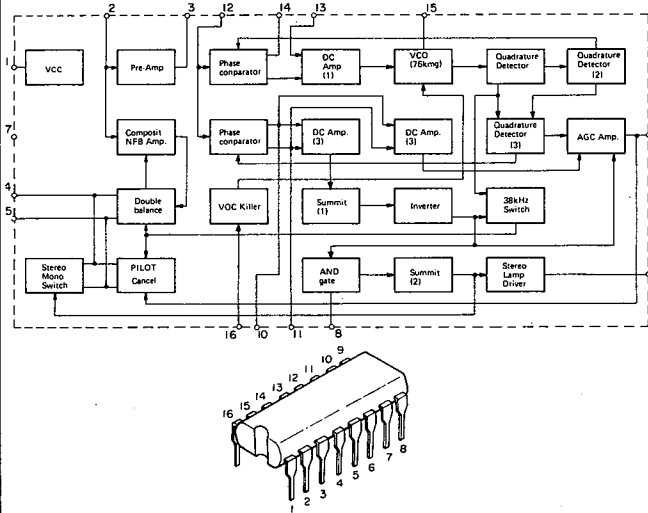
IC: LA1222



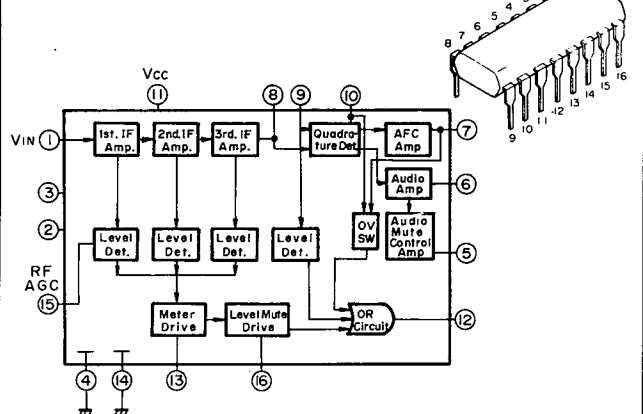
IC: HA11225



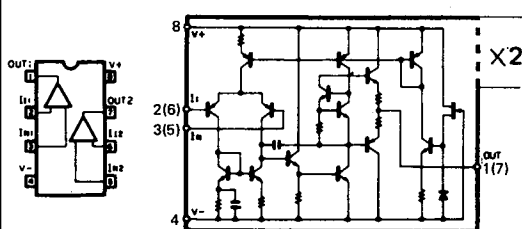
IC: KB4437



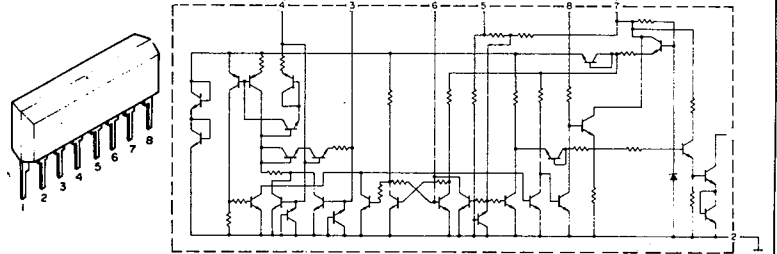
IC: LA1240



IC: μ PC4558C

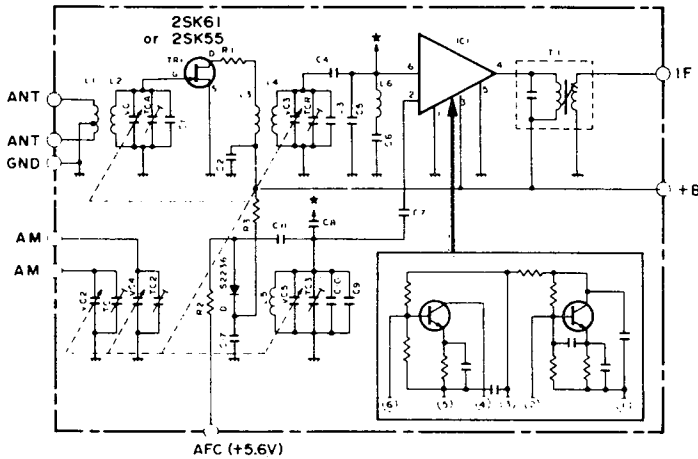


IC: HA12002

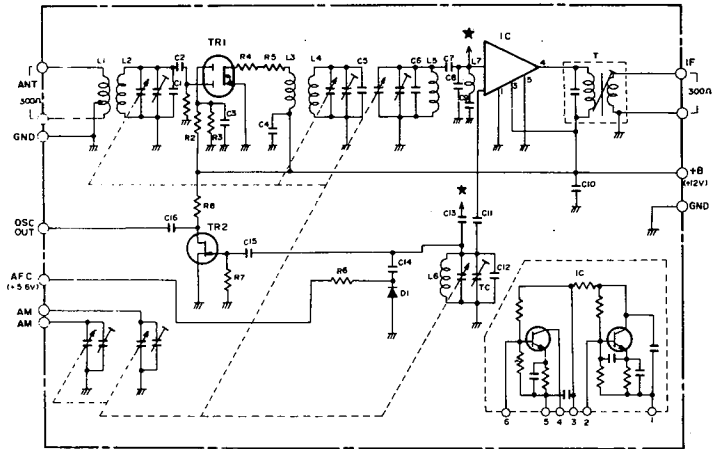


RF-PACK

R10



R20




PARTS LIST

NOTE: and marks components on Parts list are for performance of this unit, replase them, uses safety critical components or designed component as specified.

Symbol No.	Part No.	Description	Division
Diodes			
D21 ~ 24	M07447321	GP30D	R10
D21 ~ 24	M07240320	SR3AM-4	R20
D51	M07300323	ESAB03	
D52	M07133322	MZ308	
D101	M07060320	1S2473	
D102	M07060320	1S2473	
D103	M07060320	1S2473	
D104	M07060320	1S2473	
D201	M07060320	1S2473	
D203	M07060320	1S2473	
D204	M07060320	1S2473	
D251	M07141322	MZ314	
D252	M07060320	1S2473	
D252	M07060320	1S2473	
D253	M07447322	MZ309	
D254	M07391320	1SR34-100	R20
D255	M05174321	MZ303	R20
D271	M07444320	SLP-154B	R10
D271	M05176321	SEL1123R	R20
D272	M07444320	SLP-154B	R10
D272	M05176321	SEL1123R	R20
D501	M07140320	MZ320	
D502	M07133322	MZ308	
D503	M07091331	MV-13 (Varistor)	
D504	M07060320	1S2473	

Symbol No.	Part No.	Description
D505	M07142320	1S2471
D601	M07140320	MZ320
D602	M07133322	MZ308
D603	M07091331	MV-13 (Varistor)
D604	M07060320	1S2473
D605	M07142320	1S2471
D701	M07288320	MZ324
D702	M07288320	MZ324
D703	M07142320	1S2471
D705	M07142320	1S2471
Transistors		
Q51	M07061304	2SD330
Q52	M07390303	2SC2320
Q53	M07390303	2SC2320
Q101	M07070304	2SC710
Q102	M07070304	2SC710
Q103	M07070304	2SC710
Q104	M07070304	2SC710
Q105	M07139304	2SK68A
Q106	M07390303	2SC2320
Q107	M07139304	2SK68A
Q108	M07390304	2SA999
Q109	M07390303	2SC2320
Q110	M07454303	2SD1012

Symbol No.	Part No.	Description	Division	Symbol No.	Part No.	Description	Division
Q111	M07454303	2SD1012		ICs			
Q112	M07390303	2SC2320		IC101	M07115343	LA1222	
Q201	M07070304	2SC710	R20	IC102	M07465343	HA-11225	
Q202	M07070304	2SC710	R20	IC103	M07461345	KB4437	
Q250	M07061304	2SD330		IC104	M07370343	μPC4558C	
Q251	M04120303	2SB514		IC201	M07461346	LA1240	
Q252	M07061304	2SD330	R20	IC211	M07461348	MSL2318RS	R20
Q253	M07390303	2SC2320	R20	IC212	M07461349	MSM5525RS	R20
Q301	M07215303	2SD467	R20	IC501	M07461343	STK-1050	R10
Q302	M07215304	2SB561	R20	IC501	M07461347	STK-1060	R20
Q303	M07370305	2SD756	R20	IC601	M07461343	STK-1050	R10
Q304	M07390304	2SA999	R20	IC601	M07461347	STK-1060	R20
Q305	M07390304	2SA999	R20	IC701	M07447343	HA12002	
Q321	M07390303	2SC2320		Electrical Parts			
Q322	M07390303	2SC2320		C25	M07461360	C-Elect-45V10000	R10
Q323	M07390303	2SC2320		C25	M07461361	C-Elect-55V12000	R20
Q351	M07390303	2SC2320		C26	M07461360	C-Elect-45V10000	R10
Q352	M07390303	2SC2320		C26	M07461361	C-Elect-55V12000	R20
Q353	M07390304	2SA999		J1	U541S013H01	Input Jacks	
Q354	M07390303	2SC2320		J2	U451S013H01	Input Jacks	
Q381	M07390303	2SC2320		J3	U451S015H33	Headphone	
Q401	M07215303	2SD467	R20	J6	M07461575	Terminal Board (SP)	
Q402	M07215304	2SB561	R20	J7	U451C065H01	Pin Jack	R20
Q421	M07390303	2SC2320		J11	U449C018H01	A.C. Socket	
Q422	M07390303	2SC2320		K701	M07447465	Relay	
Q423	M07390303	2SC2320		K702	M07447465	Relay	
Q451	M07390303	2SC2320		K703	M07236465	Relay	
Q452	M07390303	2SC2320		L201	M07470540	Coil-Antenna	
Q453	M07390304	2SA999		L501	M07072530	Coil	
Q454	M07390303	2SC2320		L601	M07072530	Coil	
Q481	M07390303	2SC2320		LPF1	M07441381	Filter	
Q501	M07213303	2SK109		Power Transformer			
Q502	M07140303	2SA847		M1, 2	M07461260	Meter	
Q503	M07140303	2SA847		Power Cord			
Q504	M07370306	2SB716		PL11	M07461250	Lamp	
Q505	M07370305	2SD756		Power Switch			
Q506	M07370305	2SD756		Power Switch			
Q507	M07370305	2SD756		Power Switch			
Q508	M07390304	2SA999	R10	Power Switch			
Q508	M07140303	2SA847	R20	Power Switch			
Q601	M07213303	2SK109		S1 ~ 4	M07461453	SW-Push (High ~ Band)	
Q602	M07140303	2SA847		S5	M07366454	SW-Push (MM, MC)	
Q603	M07140303	2SA847		S6	M07461450	SW-Rotary	
Q604	M07370306	2SB716		S6	M07461451	SW-Rotary (Wire)	
Q605	M07370305	2SD756		S6	M07461454	SW-Rotary (SW)	
Q606	M07370305	2SD756		S7	M07461450	SW-Rotary	
Q607	M07370305	2SD756		S7	M07461451	SW-Rotary (Wire)	
Q608	M07390304	2SA999	R10	S7	M07461454	SW-Rotary (SW)	
Q608	M07140303	2SA847	R20	S8	M07461452	SW-Push (Tone Defeat)	
				S9-1 ~ 5	M07461455	SW-Push (SP ~ Filter)	
				S11	M07213450	SW-Push (Power)	

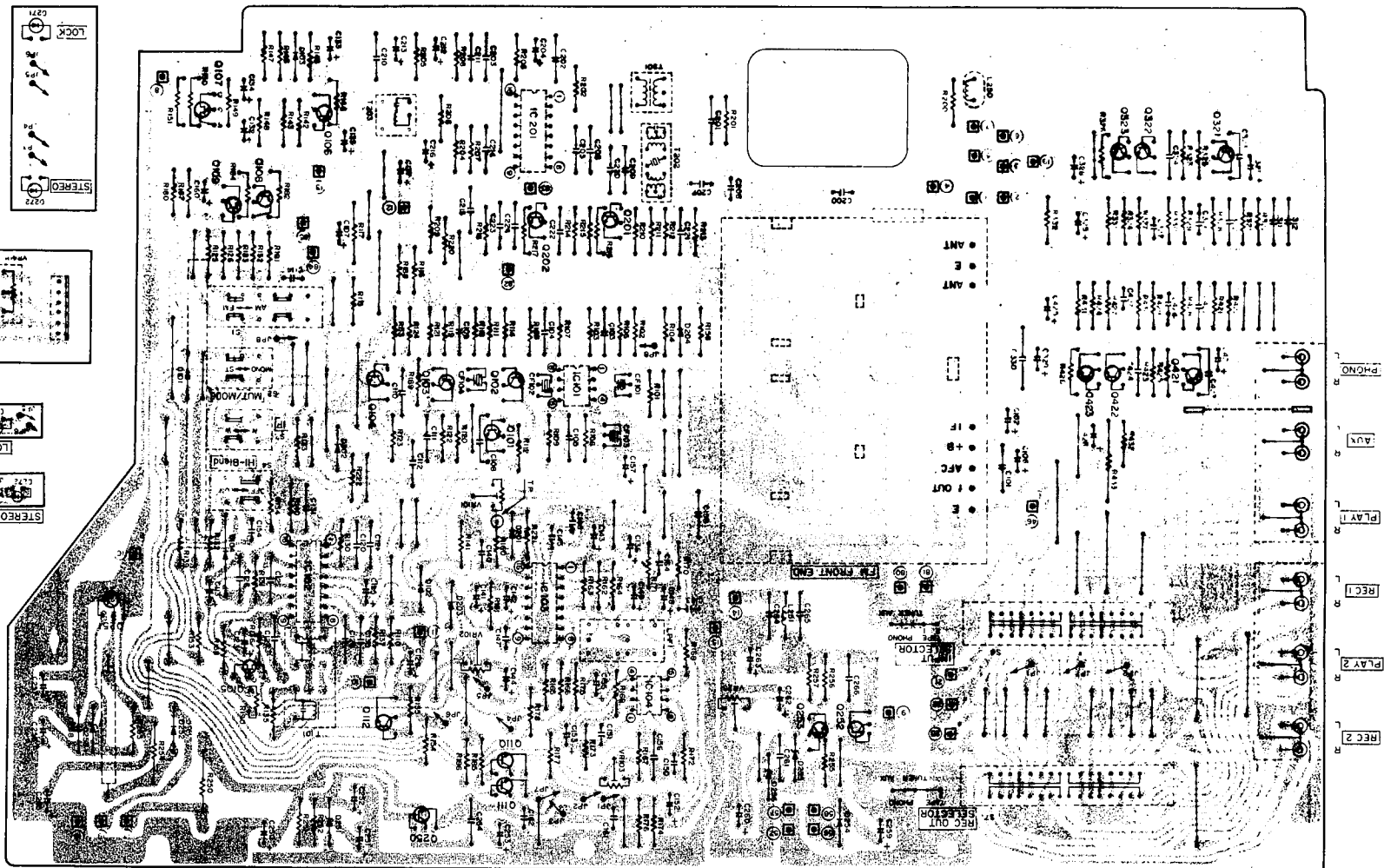
Symbol No.	Part No.	Description	Division
T11	M07461501	Trans-Power 	R20
T201	M07085527	Coil-OSC	R20
VR51	M07446436	VR-Semi-B5K	
VR101	M07115352	VR-Semi-B4.7K	
VR102	M07141351	VR-Semi-B22K	
VR103	M07141351	VR-Semi-B22K	
VR251	M07115352	VR-Semi-B4.7K	
VR301, 401	M07461402	VR-W-B100K25 (ATT)	R20
VR302, 402	M07426401	VR-W-HB250K25 (Balance)	
VR303, 403	M07461400	VR-QUATRE-B100K25 (Loudness)	
VR304, 404			
VR305, 405	M07461401	VR-W-C20K25 (Treble)	
VR306, 406	M07461401	VR-W-C20K25 (Bass)	
VR501	M07213436	VR-Semi-B5K	
VR601	M07213436	VR-Semi-B5K	
Z101	M07236575	Terminal Board (ANT.)	

EXPLODED VIEW PARTS

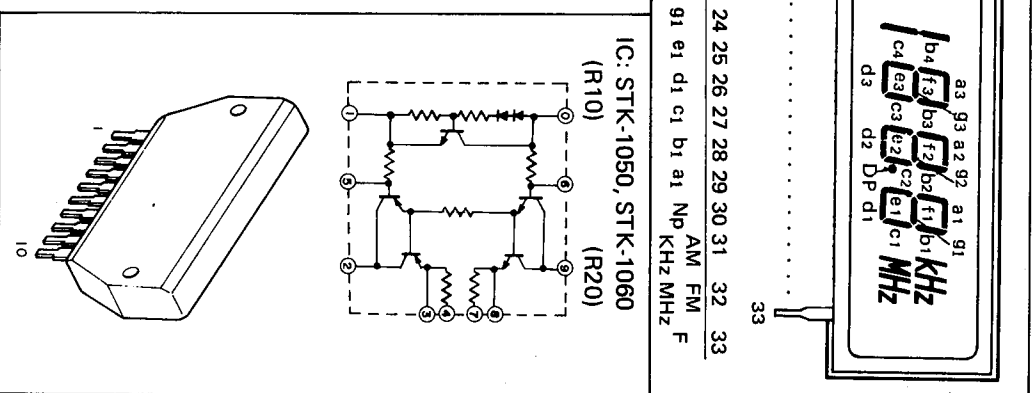
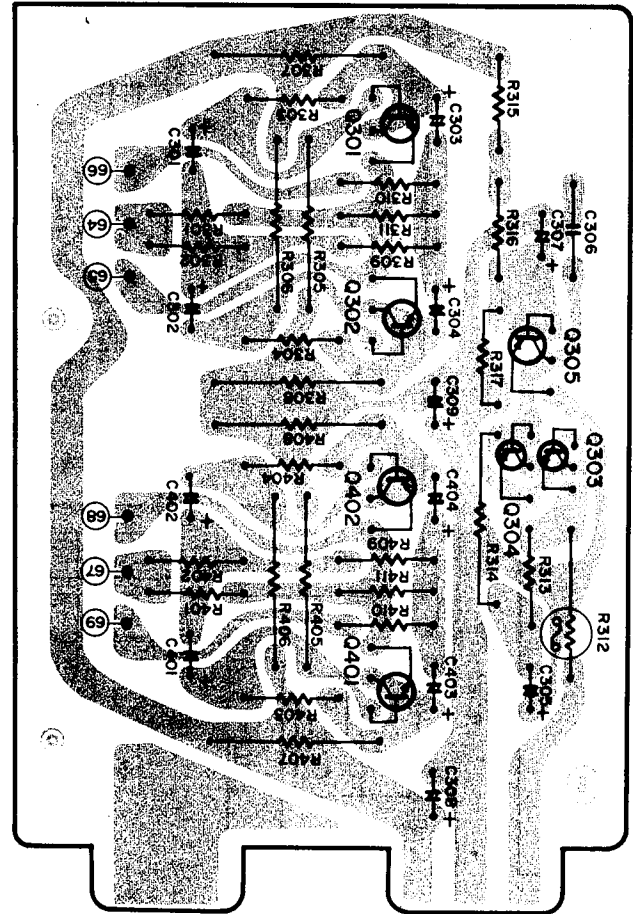
1		Ornament	R10	
1		Ornament	R20	
2	U704D568G04	Knob-Assy (Power)	R10	
3	U704D564H01	Knob(High,IF, Mute, Band)		
4	M07461210	Knob-Assy (ATT)		
5	M07461211	Knob-Assy (Bass, Treble, Loudness, Balance)		
6	U714D182H03	Knob-Metal (Tuning)		
7	U669D116H25	Screw(Fixed Upper Cover)		
8	U567D310H03	Cap (Ornament Screw)		
9		T-Screw 2-3x8		
10	U712C198G01	Panel-Assy (Front)		
10	U712C189G02	Panel-Assy (Front)		R20
11	U704D552G12	Knob-Assy	R10	
12		Holder-Z		
13	U720B213G01	Cabinet		
14	U580D041G01	Base-Assy		
15	U669S074H13	Screw-Metal M3x12		
16	U771D058H01	Leg		
17		Holder-U		
18		Holder		
18		Holder		R20
19		Holder-U		R10
20		Bush-Mold		
21		Holder		
22		Holder-U		
23		Ornament		
24		Dial		
24		Dial	R20	
25		Rivet-PL	R20	

Symbol No.	Part No.	Description	Division
28		Screw-B M4x8	R20
29		Screw-B M5x8	
30		T-Screw 2-3x16	R20
31		Nut M7	
32		Nut M12	
33		Rivet-PL	
34		Ornament	
34		Ornament	
35	U534D509H02	Pointer	
36		Holder	
37		Shield	
38		Screw-P M5x50	
39		Nut M5	R20
40		Washer Paper	R20
41		Shield	R20
42	U582B100H01	Panel-Back	R10
42	U582B100H02	Panel-Back	R20
43	M07461203	Handle	R20
44		Clamper	
45		Terminal	
46-a		P.C.B. Assy	
46-a		P.C.B. Assy	
46-b ~ e		P.C.B. Assy	
47-a		P.C.B. Assy	
47-a		P.C.B. Assy	
47-b ~ e		P.C.B. Assy	
48		Drum	
49		Holder-L	
50		Screw-B M3x6	
51		Bush-Mold	
52	U565D381H02	Radiator	R20
53		Clamper	
54		Holder-Z	
55		Front Sub-Panel	
56		Spacer	
57		Pulley	
58		Washer-PL	
59		E-Ring 5	
60		Fly-Wheel	
61		Bush-Mold	
62		Washer	
63		Nut M8	
64		Holder-Assy	
65		Pulley-Assy	
66		Dial	
67		Leg-Assy	R20
68		Holder-L	
69		Dial-Cord-Assy	
70a ~ d		P.C.B.- Assy	
71		Holder-Z	
72		T-Screw 1- 2.6x5	
73		Bush-Mold	



Symbol No.	Part No.	Description	Division	Symbol No.	Part No.	Description	Division
	M07484319	RF-PACK	R10				
	M07596540	RF-PACK	R20				
	(U929Y030H01)						
CF101	M07461445	Ceramic-Filter	R10				
CF102	M07461445	Ceramic-Filter	R10				
CF103	M07461445	Ceramic-Filter	R10				
CF104	M07467380	Ceramic-Filter	R10				
CF101	M07510446	Ceramic-Filter	R20				
CF102	M07510446	Ceramic-Filter	R20				
CF103	M07510446	Ceramic-Filter	R20				
CF104	M07510447	Ceramic-Filter	R20				
TF201	M07596340	Tube-Flour					

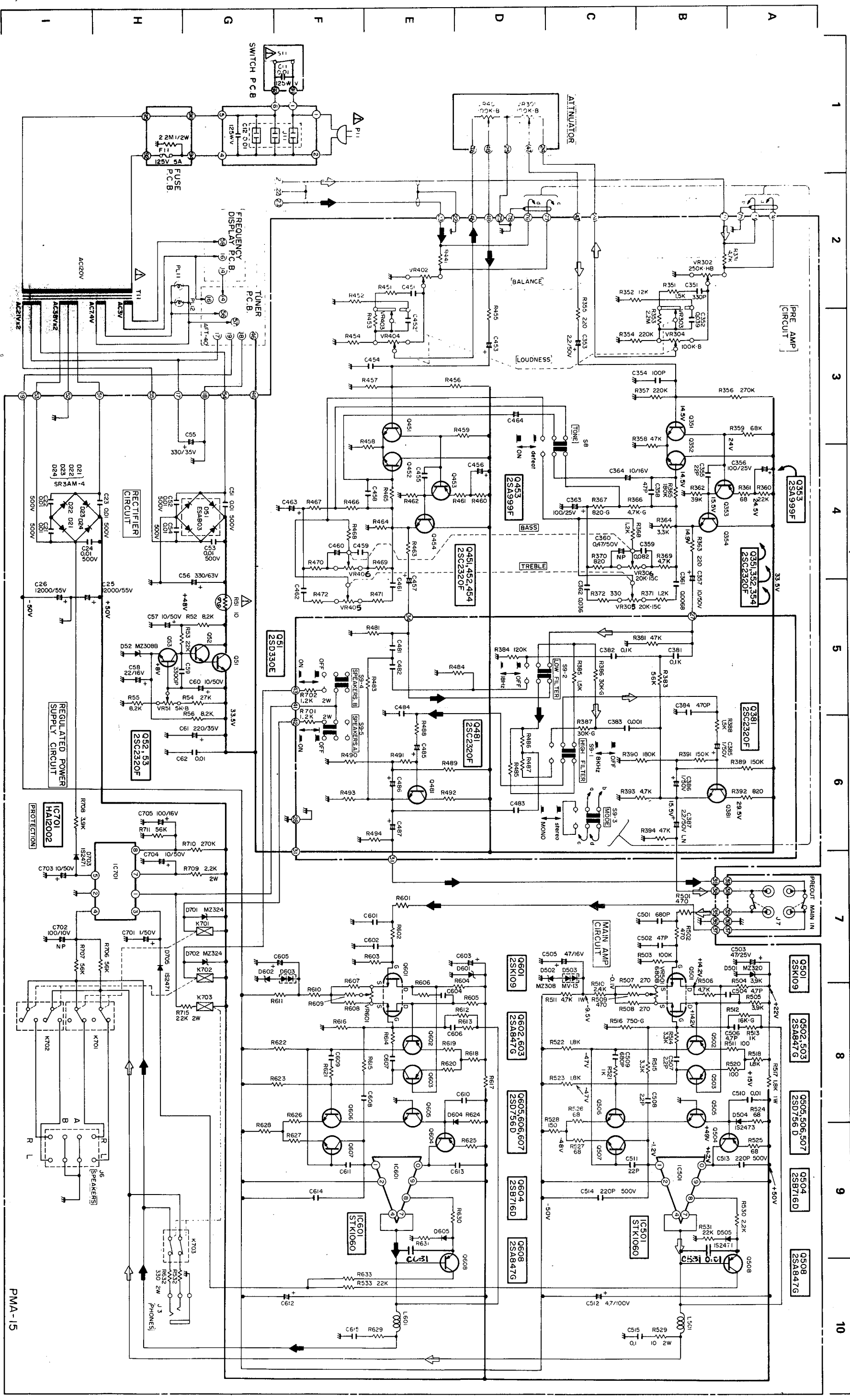


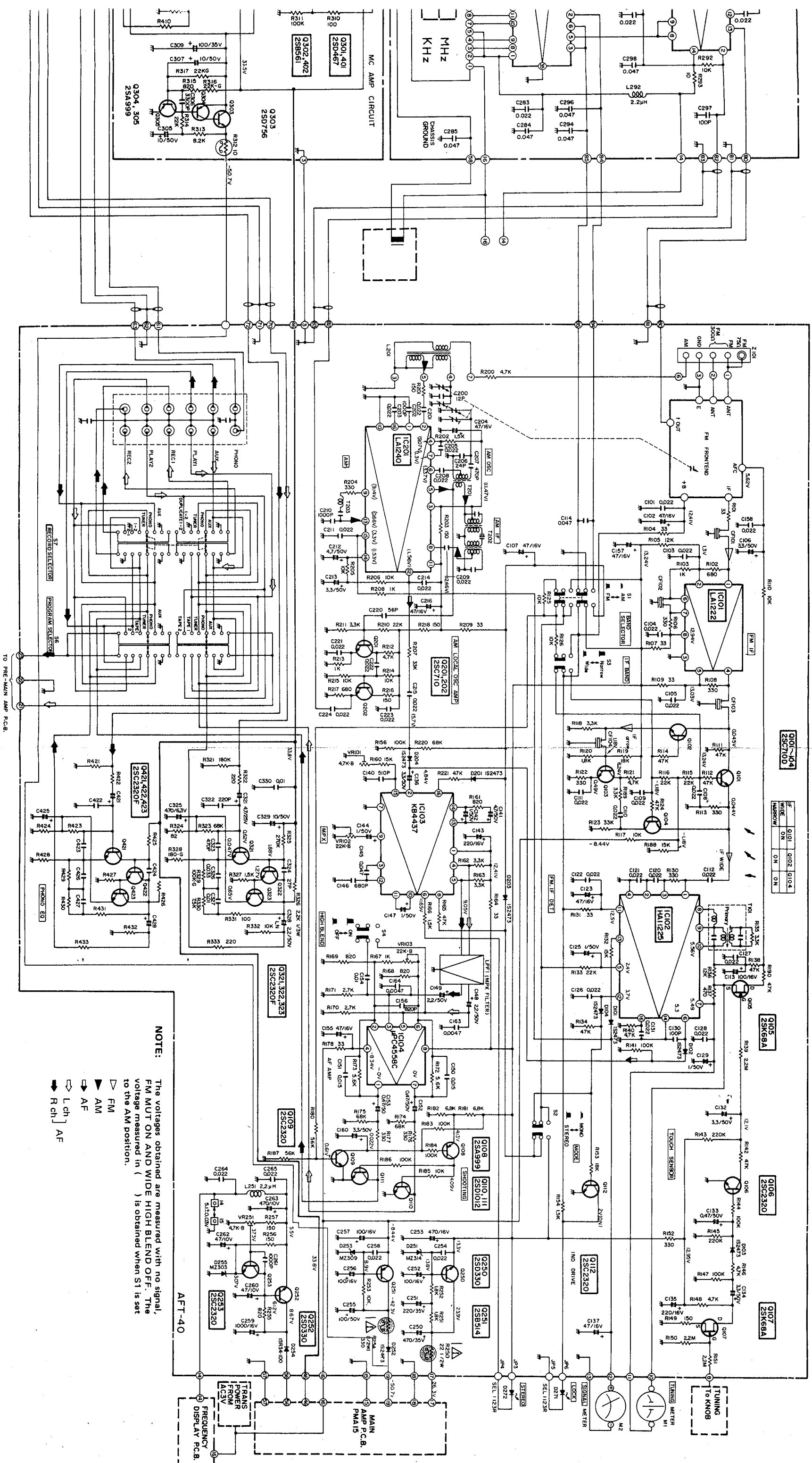
 TR: 2SC710, 2SA847	 Diode: SLP-154B	 Diode: SEL-1123R
 TR: 2SD1012	<p>Terminal No. 1 2 3 4 5 6 7 8 9 10 11 12 13 14 15 16 17 18 19 20 21 22 23 24 25 26 27 28 29 30 31 32 33</p> <p>Polarity F Nc C₄ b₄ G Nc a₃ f₃ g₃ e₃ d₃ c₃ b₃ a₂ f₂ g₂ e₂ d₂ c₂ b₂ Dp f₁ g₁ e₁ d₁ c₁ b₁ a₁ Np KHz MHz F</p>	
 TR: 2SK68A	 IC: STK-1050, STK-1060 (R10) (R20)	
 TR: 2SD330, 2SD514		
 TR: 2SA999, 2SD467, 2SB861, 2SD576, 2SB716, 2SC2320	 TR: 2SK109	



DA-R20 SCHEMATIC DIAGRAM (2/2)

NOTE:  and  marks components on Parts list are for performance of this unit. replace them, uses safety critical components or designed component as specified.





IF	Q101	Q102	Q104
WIDE	ON	ON	ON
NARROW	ON	ON	ON

NOTE:
The voltages obtained are measured with no signal, FM MUTON AND WIDE HIGH BLEND OFF. The voltage measured in () is obtained when S1 is set to the AM position.

- ▷ FM
- ◁ AM
- ↔ AF
- ↔ Lch] AF
- ↔ Rch] AF

