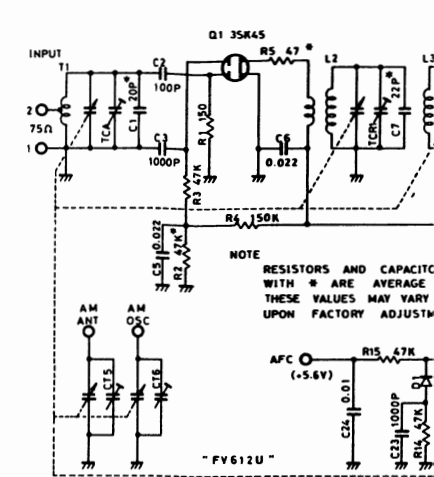
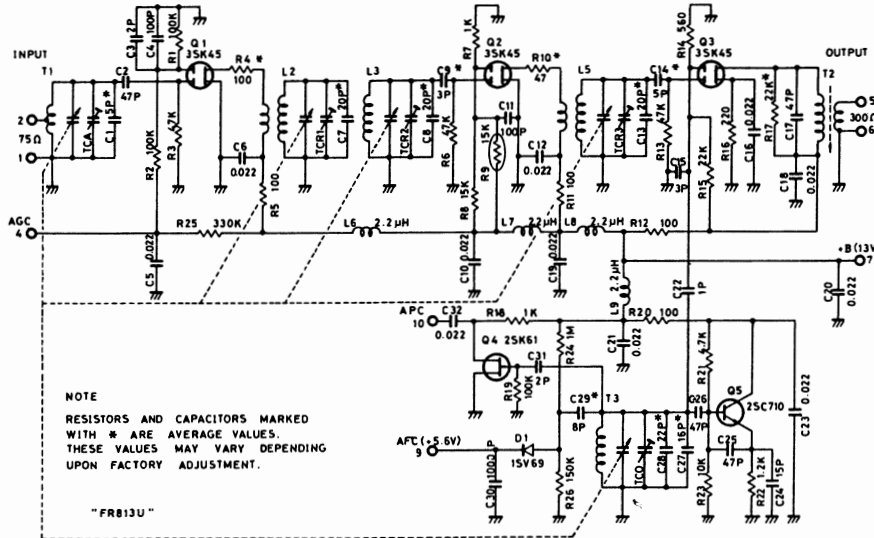


Front End Schematic Diagram

Eingangsstufe-Schaltungsschema

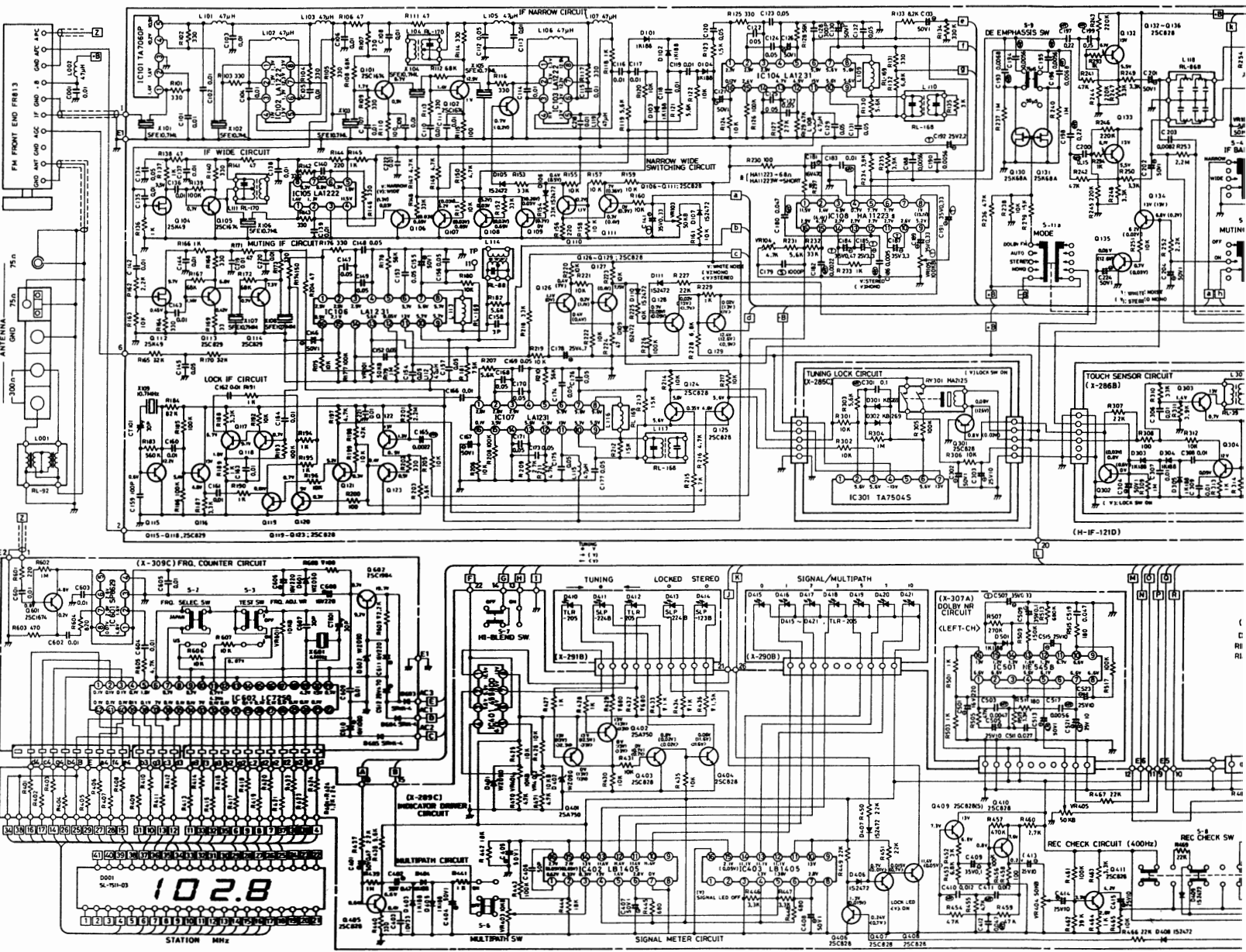
RT-2100

RT-2000

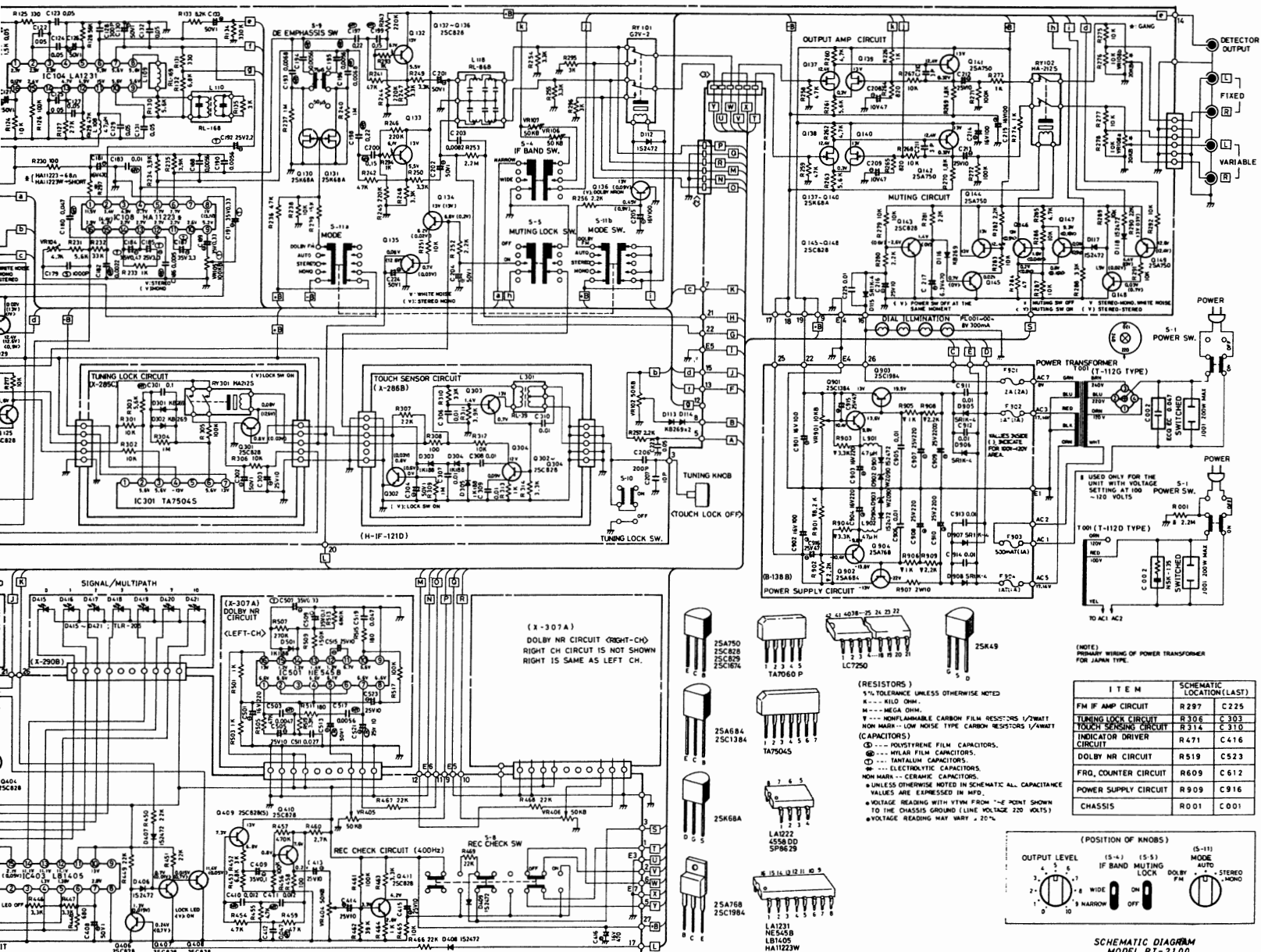
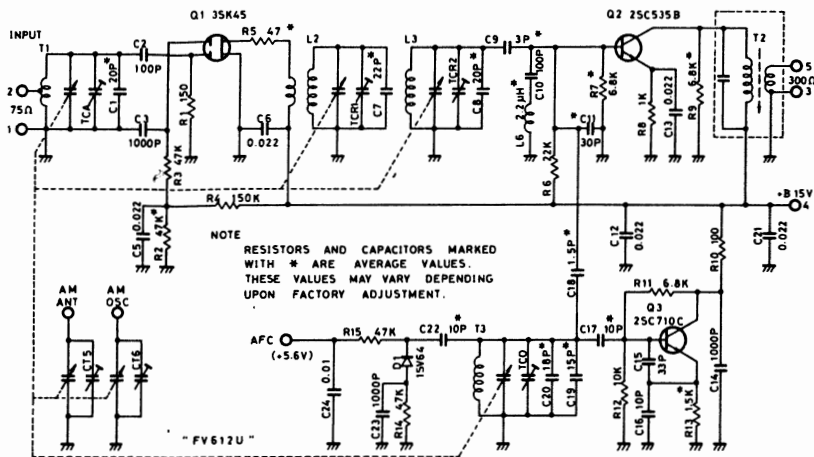


Schematic Diagram Schaltungsschema

RT-2100

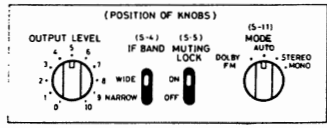


RT-2000



- (RESISTORS)
 5% TOLERANCE UNLESS OTHERWISE NOTED
 R = 100 OHM
 M = MEGA OHM
 --- NONFLAMMABLE CARBON FILM RESISTORS 1/4WATT
 --- NON-MARKED LOW NOISE TYPE CARBON RESISTORS 1/4WATT
 (CAPACITORS)
 P = POLYSTYRENE FILM CAPACITORS
 M = MYLAR FILM CAPACITORS
 T = TANTALUM CAPACITORS
 E = ELECTROLYTIC CAPACITORS
 N = NON-MARKED - CERAMIC CAPACITORS
 * UNLESS OTHERWISE NOTED IN SCHEMATIC ALL CAPACITANCE VALUES ARE EXPRESSED IN PFD.
 * VOLTAGE READINGS WITH VTRM FROM THE POINT SHOWN TO THE CHASSIS GROUND (LINE VOLTAGE 220 VOLTS)
 * VOLTAGE READING MAY VARY ± 20%

ITEM	SCHEMATIC LOCATION (LAST)
FM IF AMP CIRCUIT	R 297 C 225
TUNING LOCK CIRCUIT	R 306 C 303
TOUCH SENSOR CIRCUIT	R 314 C 310
INDICATOR DRIVER CIRCUIT	R 471 C 416
DOLBY NR CIRCUIT	R 519 C 523
FREQ. COUNTER CIRCUIT	R 609 C 612
POWER SUPPLY CIRCUIT	R 909 C 916
CHASSIS	RO01 C 001



SCHEMATIC DIAGRAM MODEL RT-2100