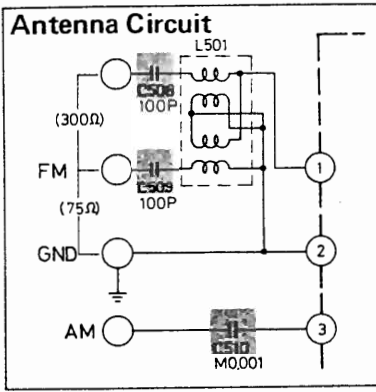
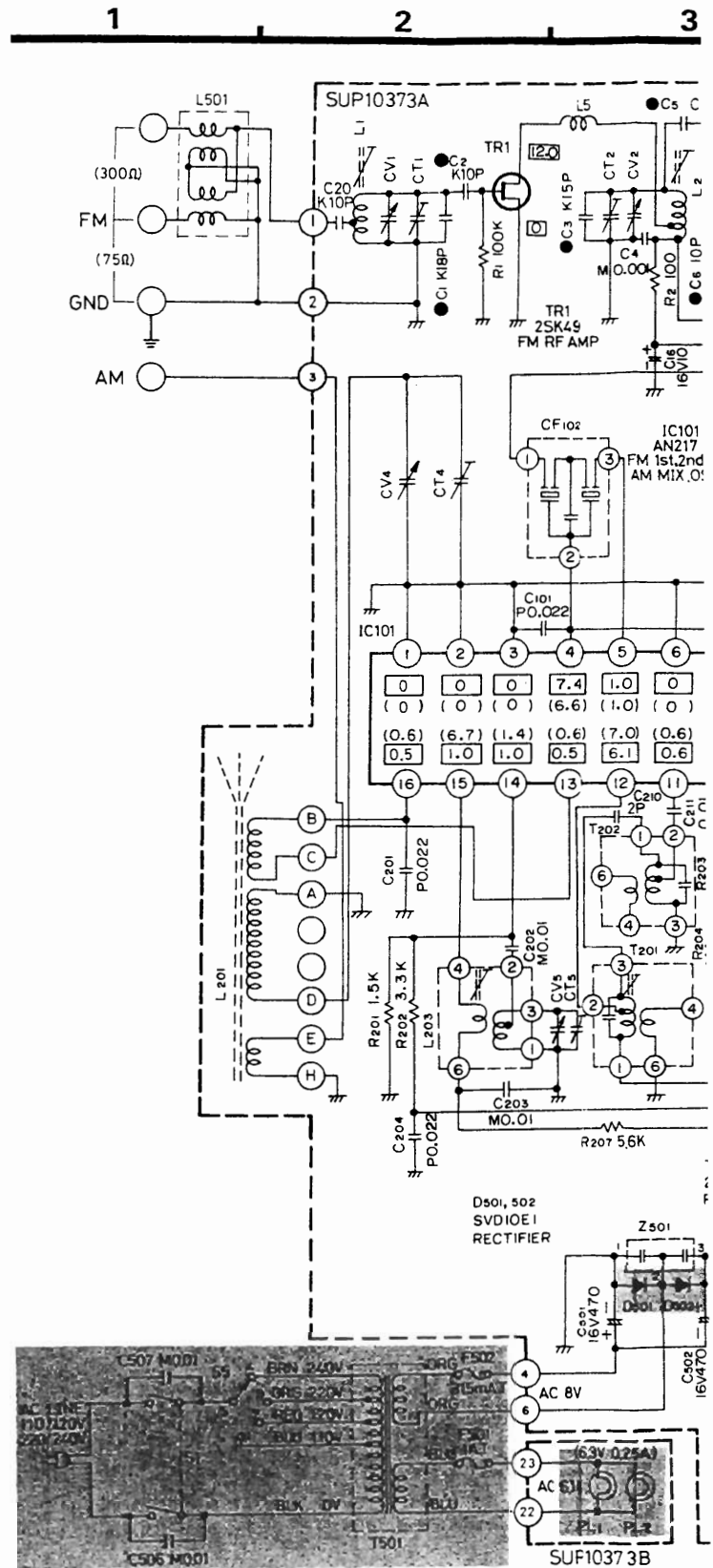


Schematic Diagram ... Model ST-7300/ST-730

Only set for Australia [XAL]



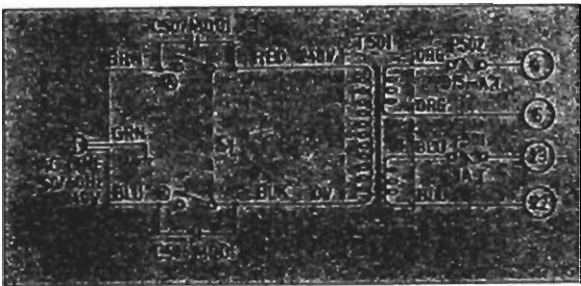
- Notes:
- S1: Power source switch in "OFF" position.
 - S2: Band selector switch in "FM" position.
 ① AM ↔ ③ FM
 - S3: Muting/FM mode switch in "ON/FM AUTO" position.
 ① OFF/FM MONO ↔ ③ ON/FM AUTO
 - S4: Recording level check switch in "OFF" position.
 ① ON ↔ ③ OFF
 - S5: Voltage selector switch in "240V" position.
 ① 110V ↔ ② 120V ↔ ③ 220V ↔ ④ 240V
6. Indicated voltage values are the standard values for the unit measured by the DC electronic circuit tester (high impedance) with the chassis taken as standard. Therefore, there may exist some errors in the voltage values, depending on the internal impedance of the DC circuit tester.
- FM monaural signal reception
 AM signal reception
 < > FM stereo signal reception
 ▭ ▭ FM muting circuit operation position
7. This schematic diagram may be modified at any time with the development of new technology.



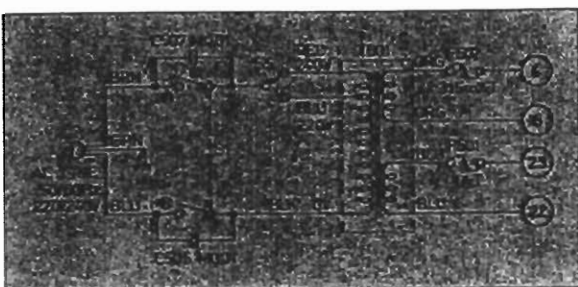
IMPORTANT SAFETY NOTICE

THE SHADED AREA ON THIS SCHEMATIC DIAGRAM INDICATES SPECIAL FEATURES IMPORTANT FOR SAFETY. WHEN SERVICING IT IS ESSENTIAL THAT ONLY MANUFACTURER'S SPECIFIED PARTS BE USED FOR THE CRITICAL COMPONENTS IN THE SHADED AREAS OF THE SCHEMATIC.

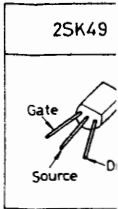
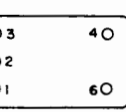
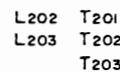
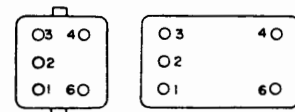
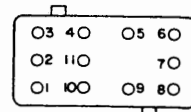
Power Source only set for Australia [XAL]

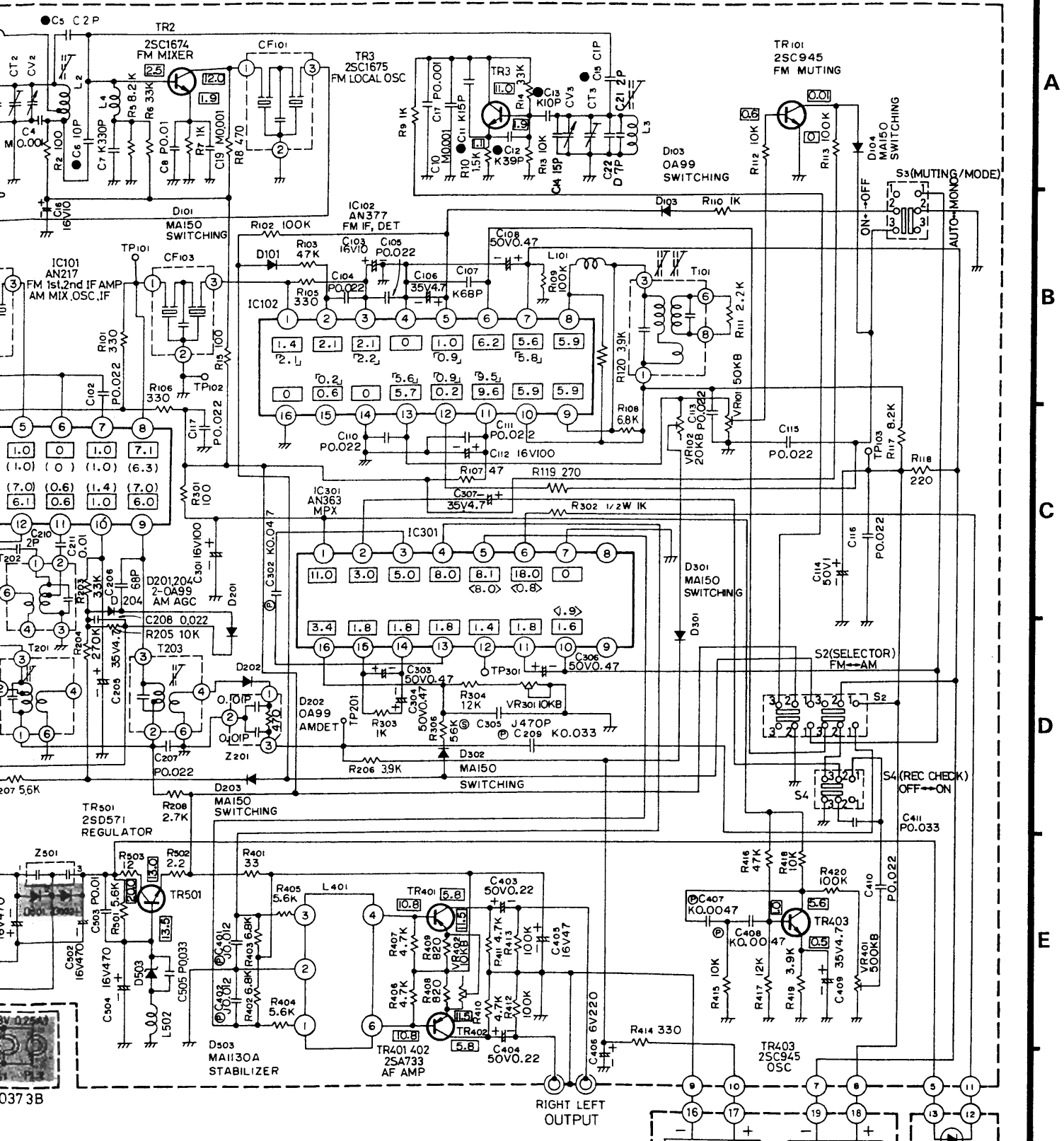


Power Source only set for England [XE]



BOTTOM VIEW





A
B
C
D
E
F

2SK49	2SC1674, 2SC1675 2SC945, 2SA733	2SD571	SVDSEL103R	AN217, AN377, AN363

FM, AM SIGNAL METER	FM TUNING METER	SUP10373C SUP10373D D303 SVDSEL103R STEREO IND.