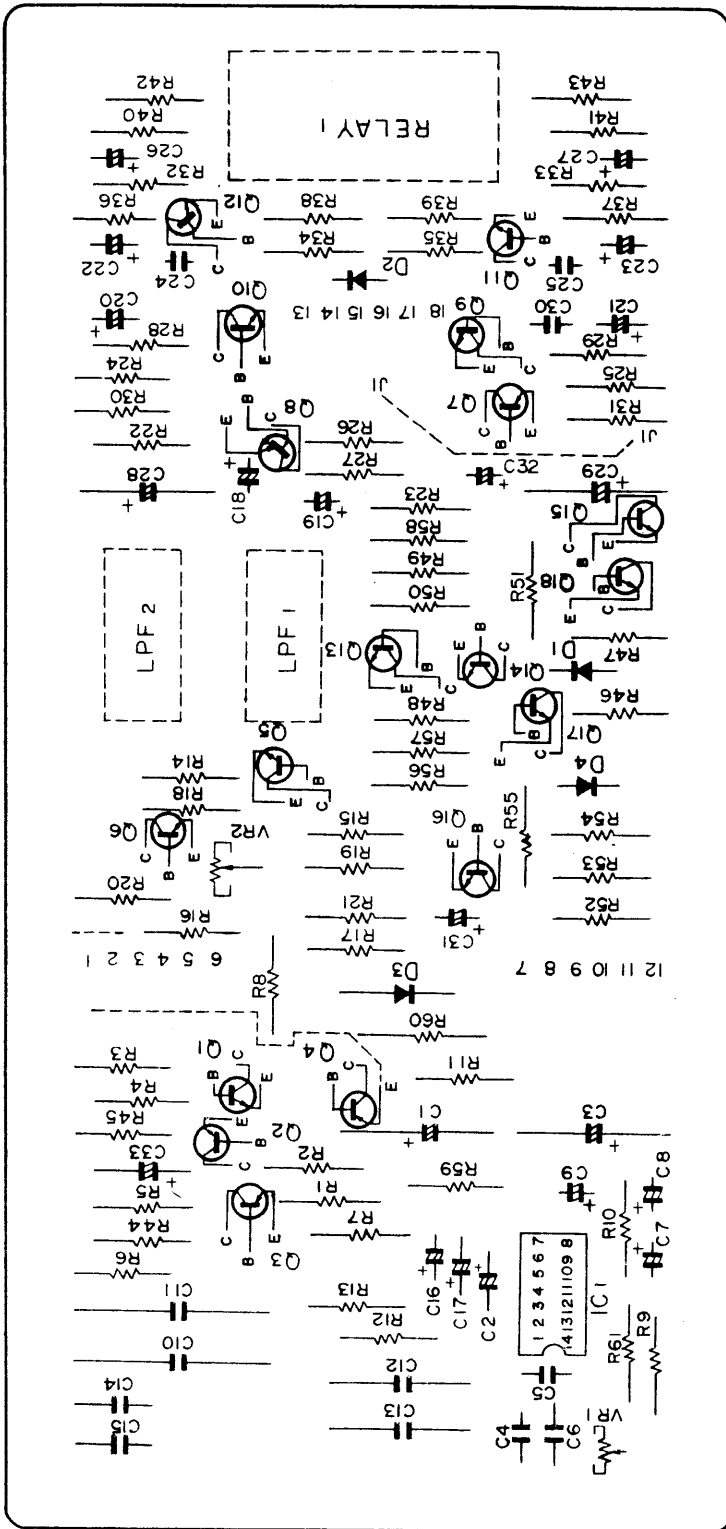


MPX AUDIO ASSEMBLY (706-0002-00)

● PRINTED CIRCUIT BOARD

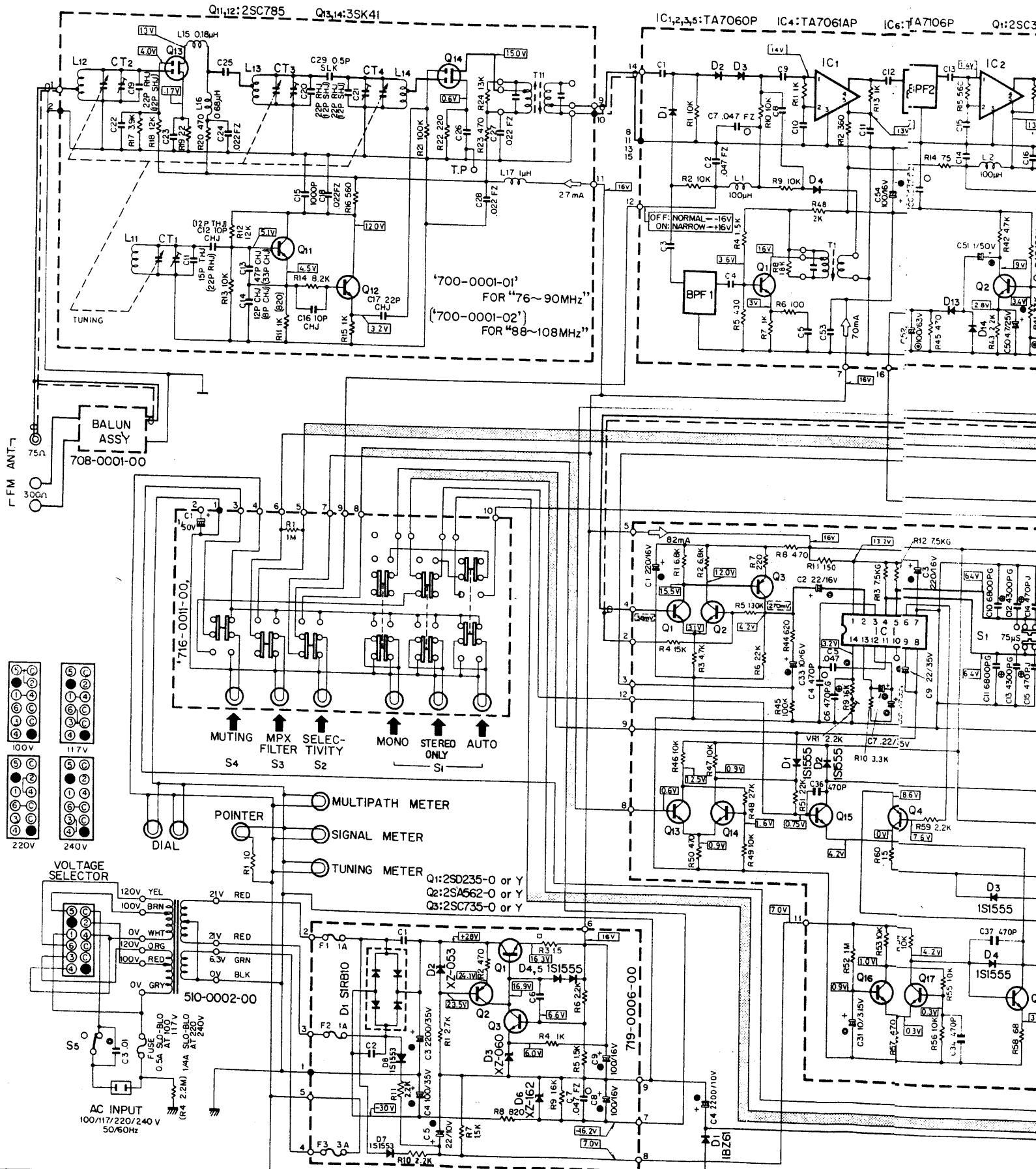
* Printed circuit board as seen from the reverse side.

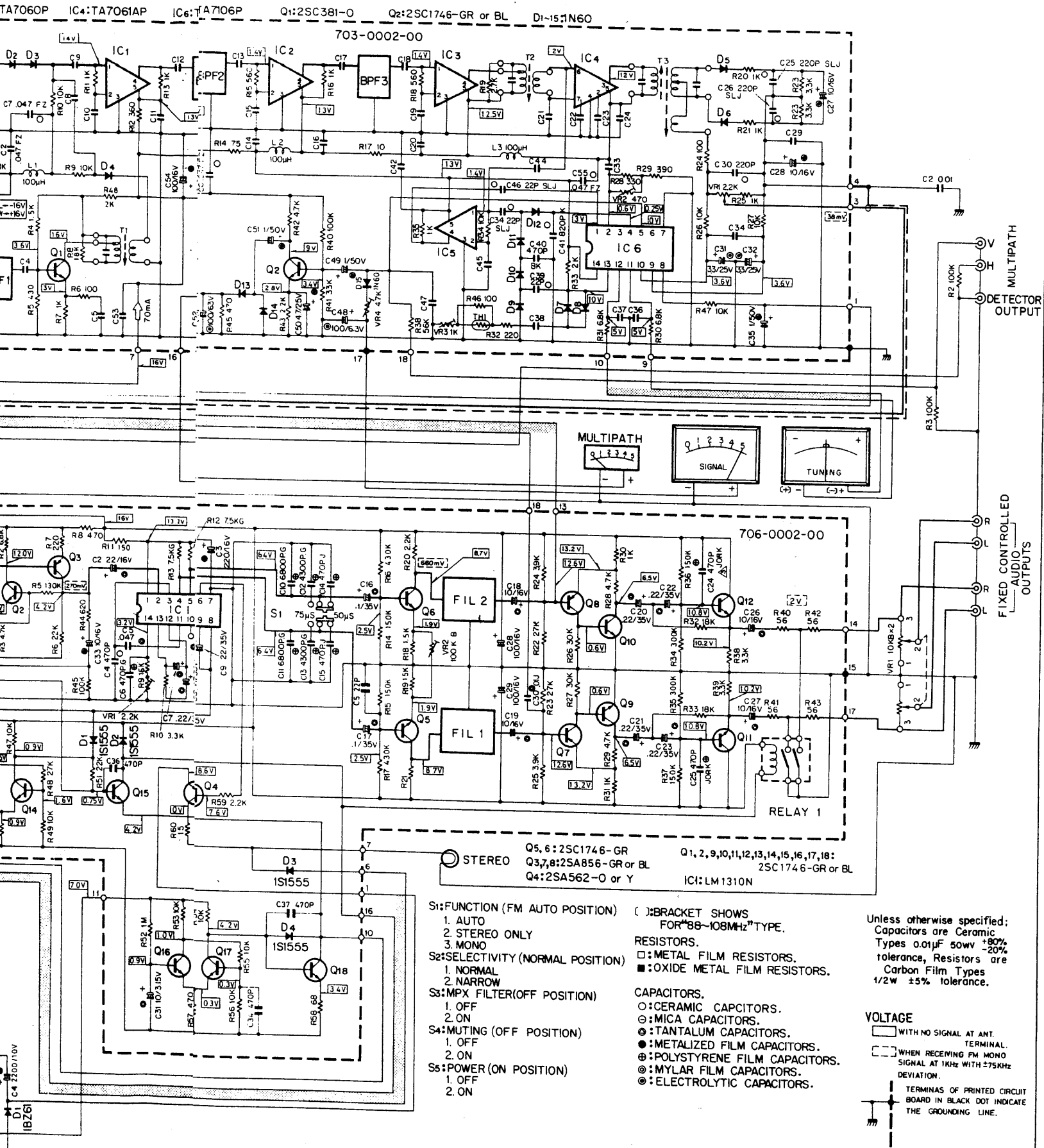


● PARTS LIST

No.	Description	Part No.	Remarks
IC1	IC	MC1310P	
Q1, 2	Transistor	2SC1746A-GR or BL	
Q3, 7, 8	Transistor	2SA856-Y or GR	
Q4	Transistor	2SA562-O or Y	
Q5, 6	Transistor	2SC1746-GR	
Q9, 10, 11, 12, 13, 14, 15, 16, 17, 18	Transistor	2SC1746-GR or BL	
D1, 2, 3, 4	Silicon Diode	1S1555	
FIL 1, 2	Low Pass Filter	520-5001-10	
VR1	Potentiometer	4.7k Ω 580-0531-00	19kHz Osc. Adj.
VR2	Potentiometer	100k Ω 580-0151-00	Separation Adj.
IC Socket		300-1141-00	for MC1310P
S1	Slide Switch	350-0201-00	
RELAY 1	Reed Relay	363-1202-00	
Connector Jack		304-5601-00	
R1, 2	Carbon Film Resistor	RD142HA682J	6.8k Ω \pm 5% 1/2W
R3, 28, 29	Carbon Film Resistor	RD142HA472J	4.7k Ω \pm 5% 1/2W
R4	Carbon Film Resistor	RD142HA153J	15k Ω \pm 5% 1/2W
R5	Carbon Film Resistor	RD142HA134J	130k Ω \pm 5% 1/2W
R6, 51	Carbon Film Resistor	RD142HA223J	22k Ω \pm 5% 1/2W
R7	Carbon Film Resistor	RD142HA222J	220 Ω \pm 5% 1/2W
R8, 50, 57	Carbon Film Resistor	RD142HA471J	470 Ω \pm 5% 1/2W
R9	Carbon Film Resistor	RD142HA163J	16k Ω \pm 5% 1/2W
R30, 31	Carbon Film Resistor	RD142HA102J	1k Ω \pm 5% 1/2W
R11	Carbon Film Resistor	RD142HA151J	150 Ω \pm 5% 1/2W
R12, 13	Carbon Film Resistor	RD142HA7501G	7.5k Ω \pm 2% 1/2W
R14, 15, 36, 37	Carbon Film Resistor	RD142HA154J	150k Ω \pm 5% 1/2W
R16, 17	Carbon Film Resistor	RD142HA434J	430k Ω \pm 5% 1/2W
R18, 19	Carbon Film Resistor	RD142HA152J	1.5k Ω \pm 5% 1/2W
R20, 21, 59	Carbon Film Resistor	RD142HA222J	2.2k Ω \pm 5% 1/2W
R22, 23, 48, 55	Carbon Film Resistor	RD142HA273J	27k Ω \pm 5% 1/2W
R24, 25	Carbon Film Resistor	RD142HA392J	3.9k Ω \pm 5% 1/2W
R26, 27	Carbon Film Resistor	RD142HA303J	30k Ω \pm 5% 1/2W
R32, 33	Carbon Film Resistor	RD142HA183J	18k Ω \pm 5% 1/2W
R34, 35	Carbon Film Resistor	RD142HA304J	300k Ω \pm 5% 1/2W
R38, 39, 10	Carbon Film Resistor	RD142HA332J	3.3k Ω \pm 5% 1/2W
R40, 41, 42, 43	Carbon Film Resistor	RD142HA560J	56k Ω \pm 5% 1/2W
R44	Carbon Film Resistor	RD142HA621J	620 Ω \pm 5% 1/2W
R45	Carbon Film Resistor	RD142HA104J	100k Ω \pm 5% 1/2W
R46, 47, 49, 53, 54, 56, 55	Carbon Film Resistor	RD142HA103J	10k Ω \pm 5% 1/2W
R52	Carbon Film Resistor	RD142HA105J	1M Ω \pm 5% 1/2W
R58	Carbon Film Resistor	RD142HA680J	68 Ω \pm 5% 1/2W
R60	Carbon Film Resistor	RD142HA150J	15 Ω \pm 5% 1/2W
C1, 3	Electrolytic Capacitor	CE02W1C221	220 μ F 16WV
C2	Tantalum Solid Capacitor	CS15E1C220M	22 μ F \pm 20% 16WV
C4, 34	Ceramic Capacitor	CK45B1H471K	470pF \pm 10% 50WV
C5	Mylar Film Capacitor	CQ93M1H473K	0.047 μ F \pm 10% 50WV
C6, 14, 15	Polystyrene Film Capacitor	CQ08S2B471G	470pF \pm 2% 125WV
C7, 9, 20, 21, 22, 23	Tantalum Solid Capacitor	CS15E1VR22K	0.22 μ F \pm 10% 35WV
C8	Tantalum Solid Capacitor	CS15E1VR47M	0.47 μ F \pm 20% 35WV
C10, 11	Polystyrene Film Capacitor	CQ08S2B682G	6800pF \pm 2% 125WV
C12, 13	Polystyrene Film Capacitor	CQ08S2B432G	4300pF \pm 2% 125WV
C16, 17	Tantalum Solid Capacitor	CS15E1VOR1M	0.1 μ F \pm 20% 35WV
C18, 19, 26, 27	Tantalum Solid Capacitor	CS15E1C100M	10 μ F \pm 20% 16WV
C24, 25	Polystyrene Film Capacitor	CQ08S2B471J	470pF \pm 5% 125WV
C28, 29	Electrolytic Capacitor	CE02W1C101	100 μ F 16WV
C30	Mylar Film Capacitor	CQ93M1H103M	0.01 μ F \pm 20% 50WV
C31	Tantalum Solid Capacitor	CS15E0F100M	10 μ F \pm 20% 3.15WV
C33	Electrolytic Capacitor	CE02W1C100	10 μ F 16WV
C35	Ceramic Capacitor	CC45S1LH220J	22pF \pm 5% 50WV
C36, 37	Ceramic Capacitor	CK45B1H471K	470pF \pm 10% 50WV

T-101 REVISED SCHEMATIC DIAGRAM





Q5, 6: 2SC1746-GR
 Q3, 7, 8: 2SA856-GR or BL
 Q4: 2SA562-O or Y
 Q1, 2, 9, 10, 11, 12, 13, 14, 15, 16, 17, 18: 2SC1746-GR or BL
 IC1: LM1310N

- S1: FUNCTION (FM AUTO POSITION)
 1. AUTO
 2. STEREO ONLY
 3. MONO
- S2: SELECTIVITY (NORMAL POSITION)
 1. NORMAL
 2. NARROW
- S3: MPX FILTER (OFF POSITION)
 1. OFF
 2. ON
- S4: MUTING (OFF POSITION)
 1. OFF
 2. ON
- S5: POWER (ON POSITION)
 1. OFF
 2. ON
- (): BRACKET SHOWS FOR *88-108MHz* TYPE.
- RESISTORS.
 □: METAL FILM RESISTORS.
 ■: OXIDE METAL FILM RESISTORS.
- CAPACITORS.
 ○: CERAMIC CAPACITORS.
 ⊙: MICA CAPACITORS.
 ⊕: TANTALUM CAPACITORS.
 ●: METALIZED FILM CAPACITORS.
 ⊗: POLYSTYRENE FILM CAPACITORS.
 ⊙: MYLAR FILM CAPACITORS.
 ⊕: ELECTROLYTIC CAPACITORS.

Unless otherwise specified:
 Capacitors are Ceramic
 Types 0.01μF 50WV ±80%
 tolerance, Resistors are
 Carbon Film Types
 1/2W ±5% tolerance.

