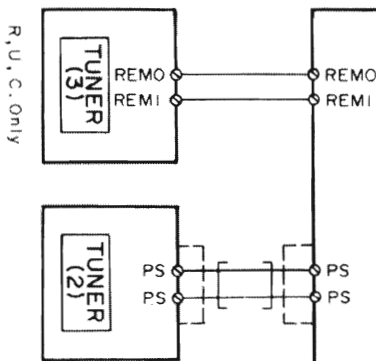
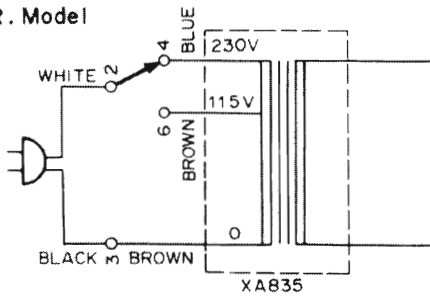


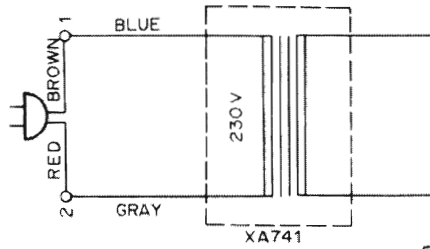
WIRING



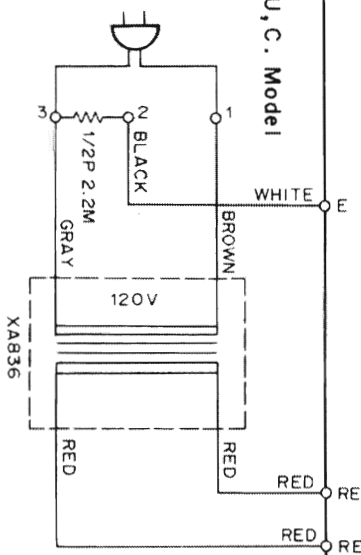
R. Model



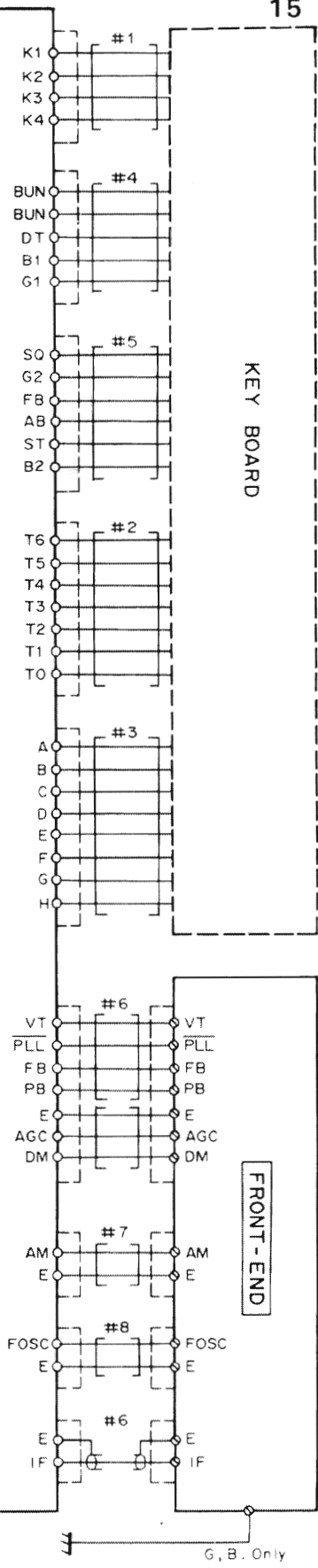
A, G, B. Model



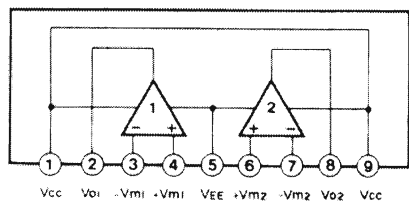
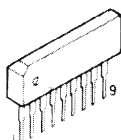
U, C. Model



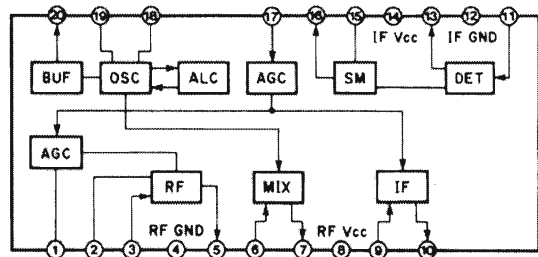
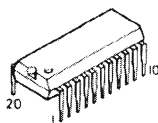
TUNER (1)



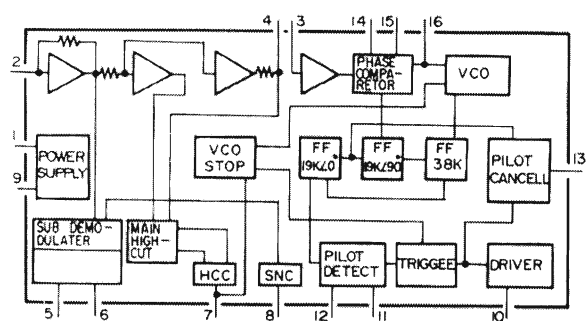
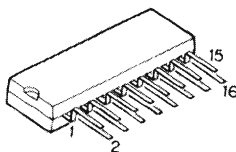
IC201, 207
NJM4558S



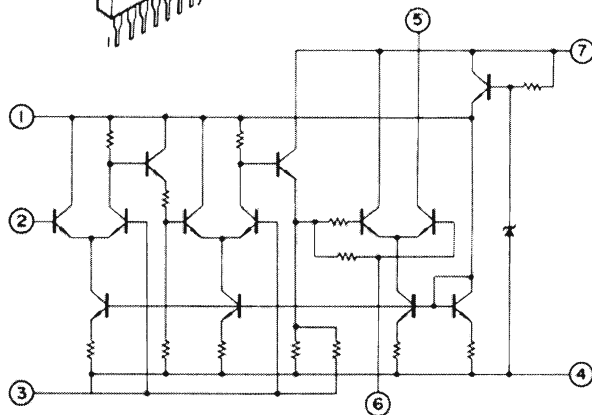
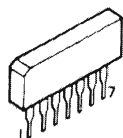
IC206
LA1245



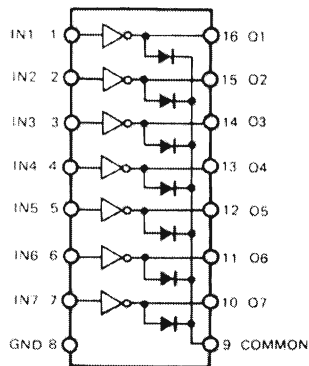
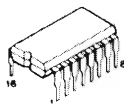
IC208
LA3430



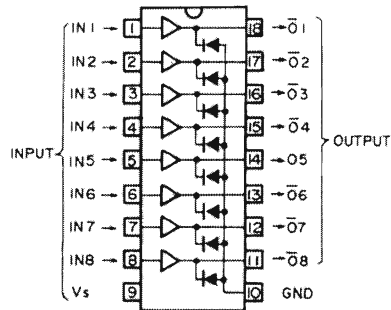
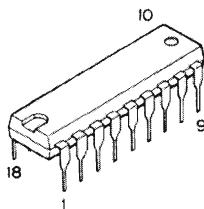
IC202
 μ PC577H



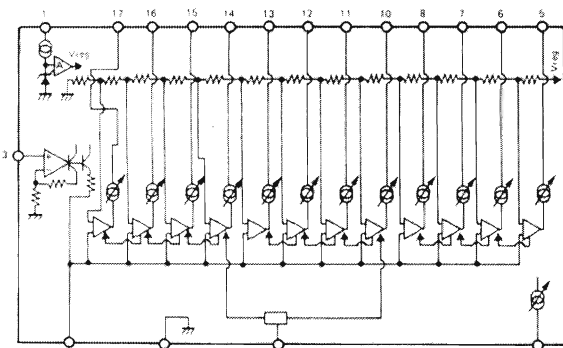
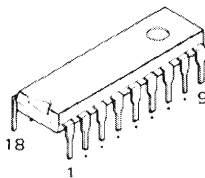
IC1
M54526P



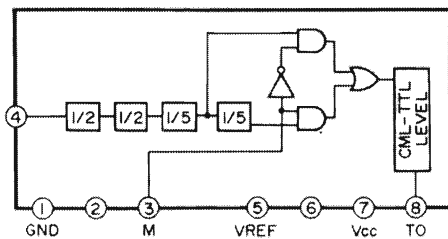
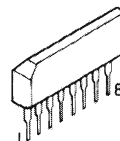
IC2
M54562P



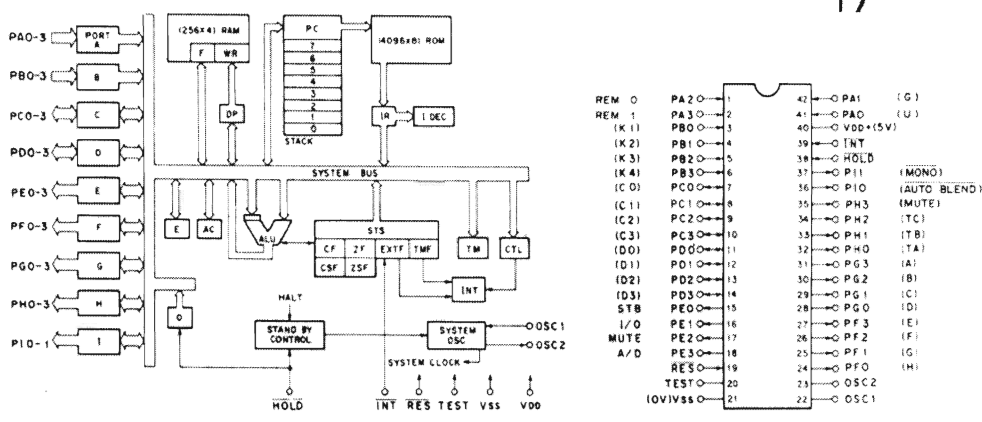
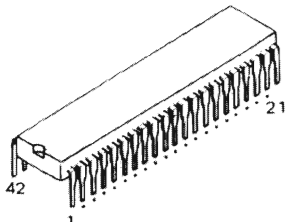
IC3
BA689



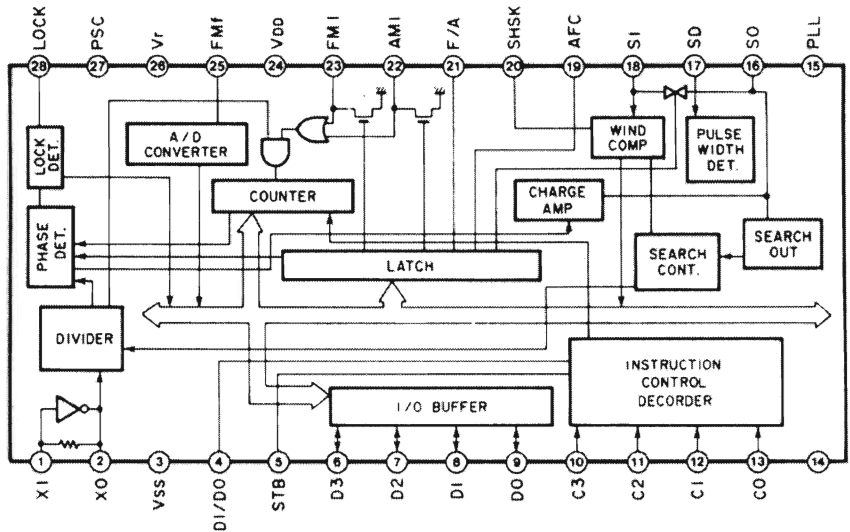
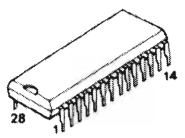
IC101
M54459L



IC213
LC6510C-3040

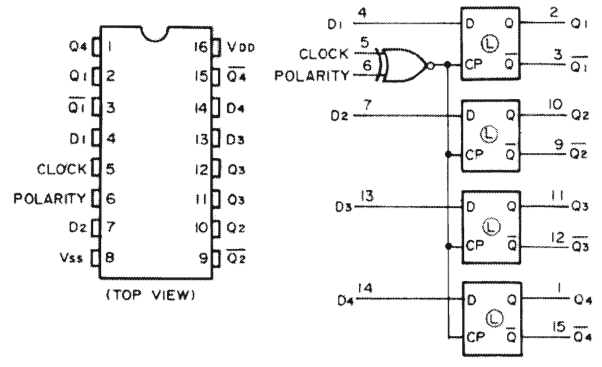
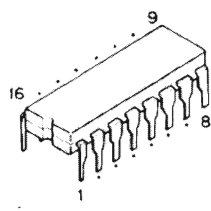


IC214
LC7210



IC211
TC4042P

IC212
TC4028BP or BU4028B



IC203, 204, 205, 209, 210
NJM2068S

