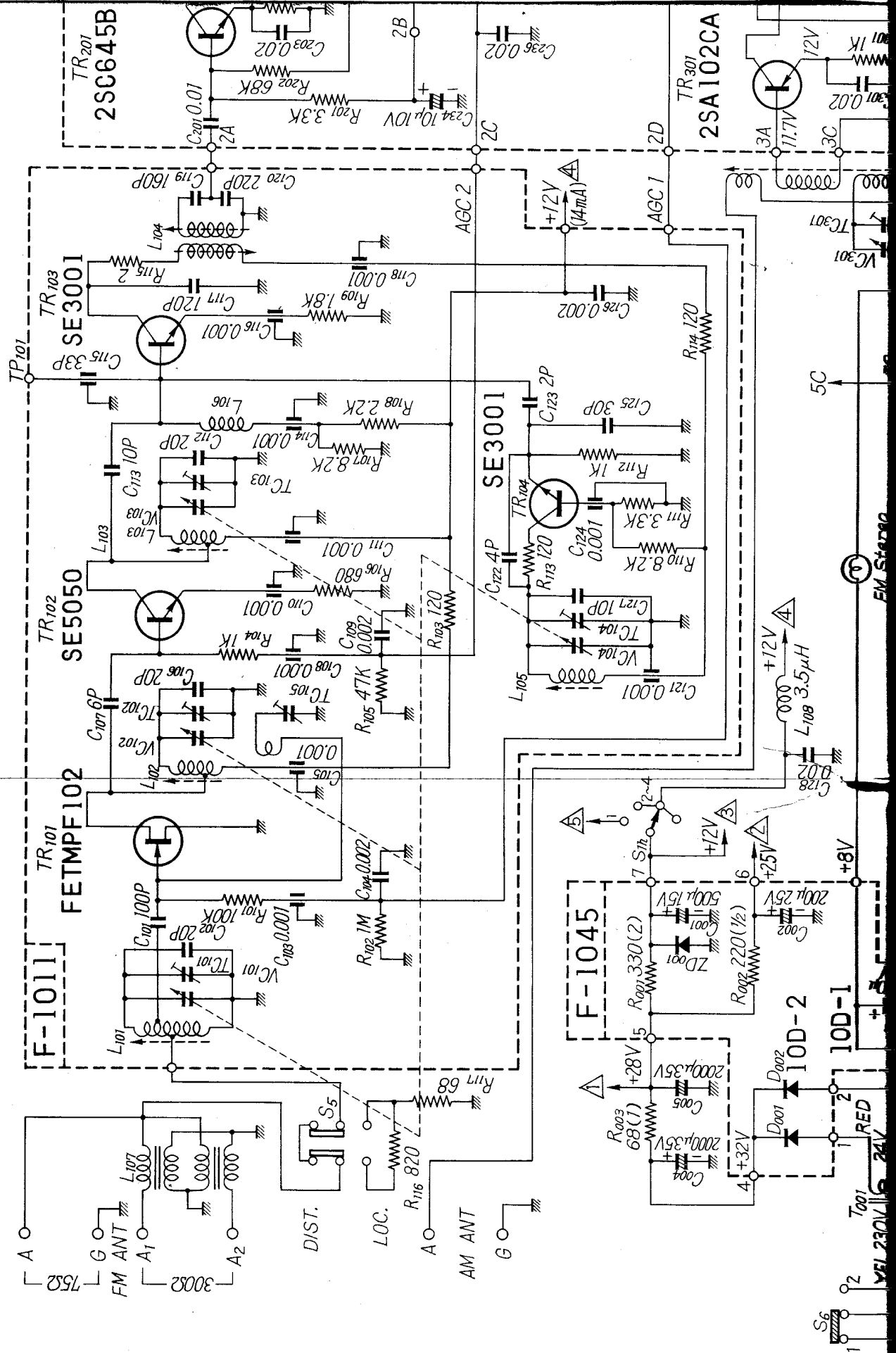
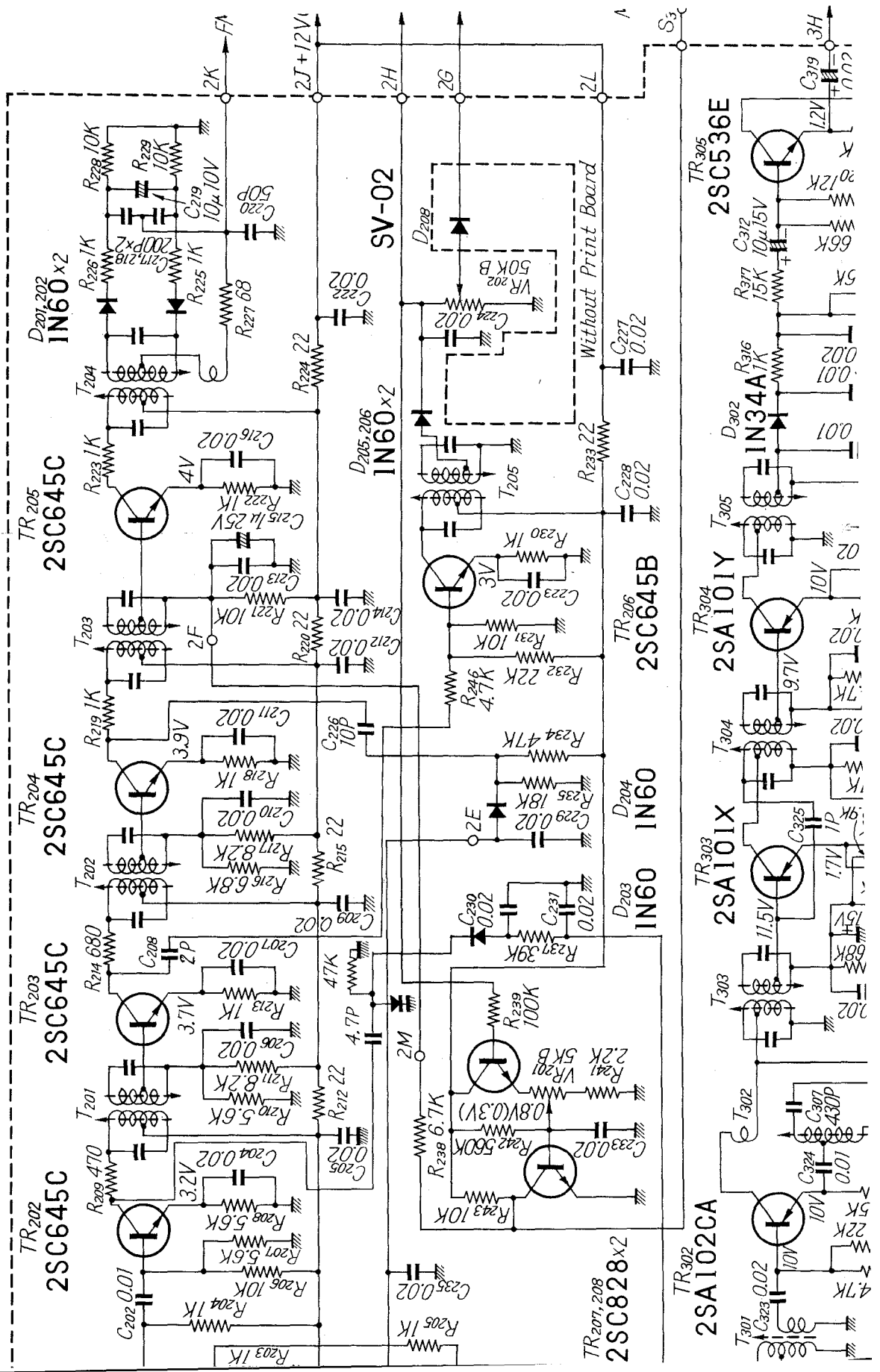
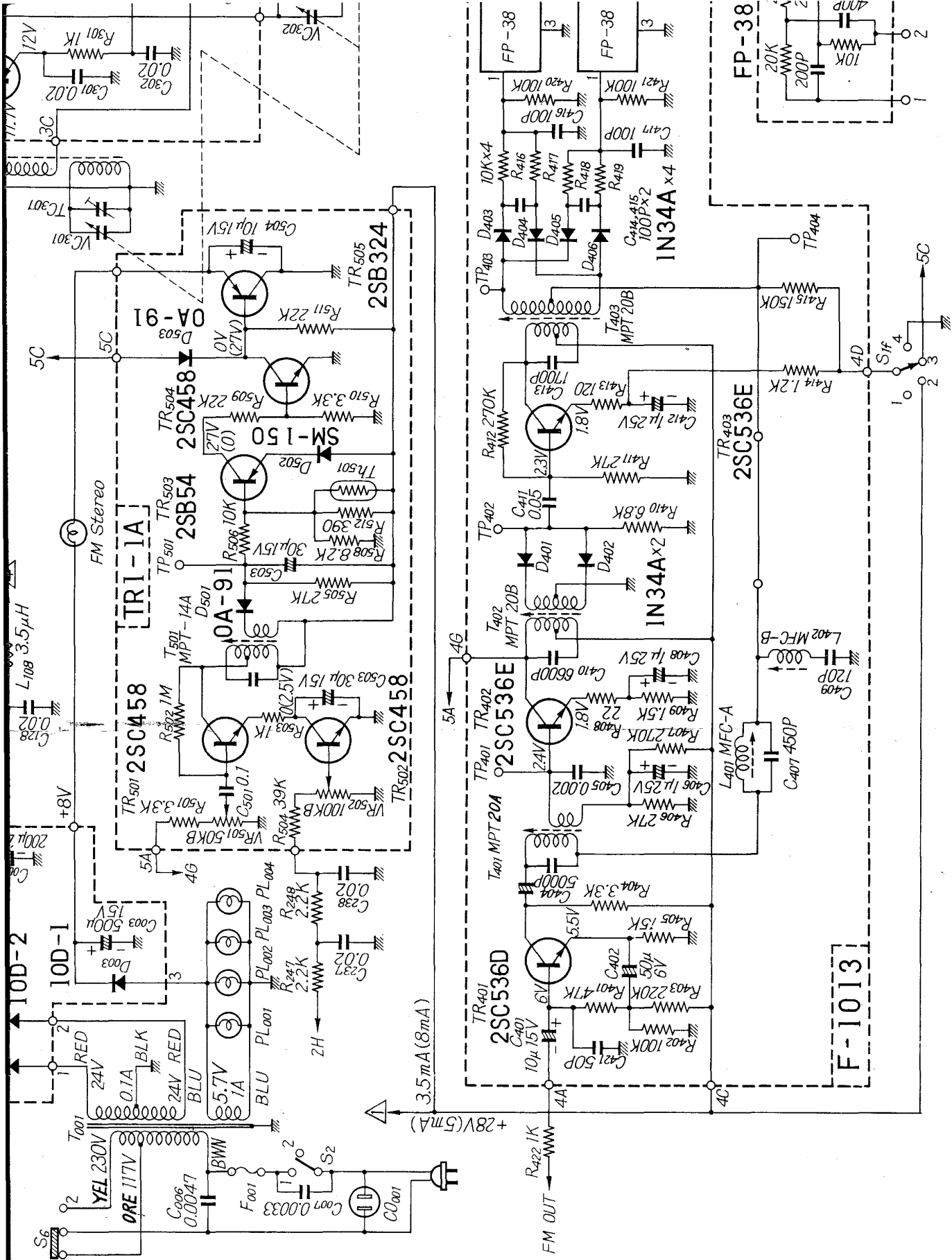


SANSUI TU-777 SCH

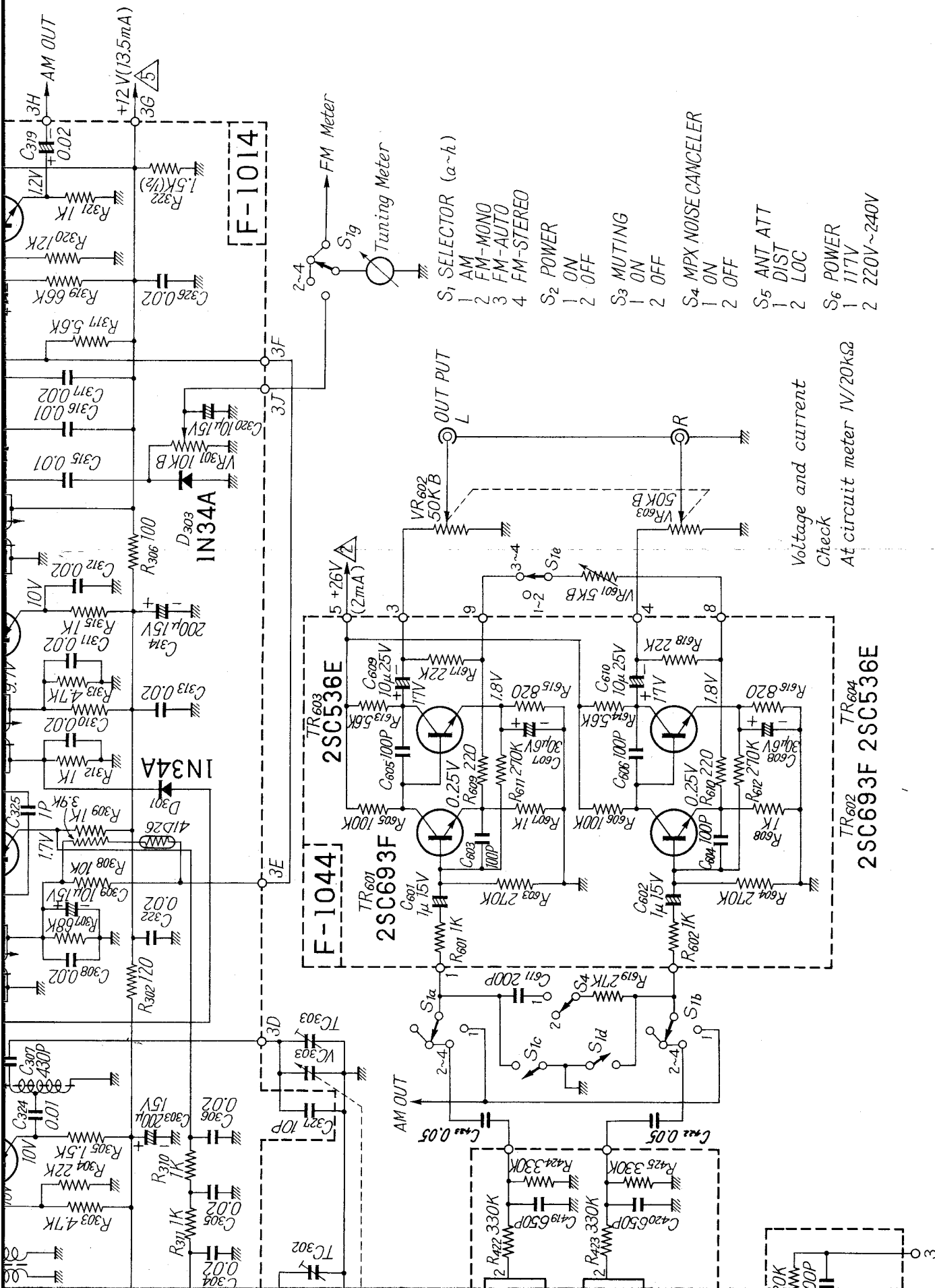


SCHEMATIC DIAGRAM





* All rights reserve specifications subject to change without notice.



S₁ SELECTOR (a~h)
 1 AM
 2 FM-MONO
 3 FM-AUTO
 4 FM-STEREO

S₂ POWER
 1 ON
 2 OFF

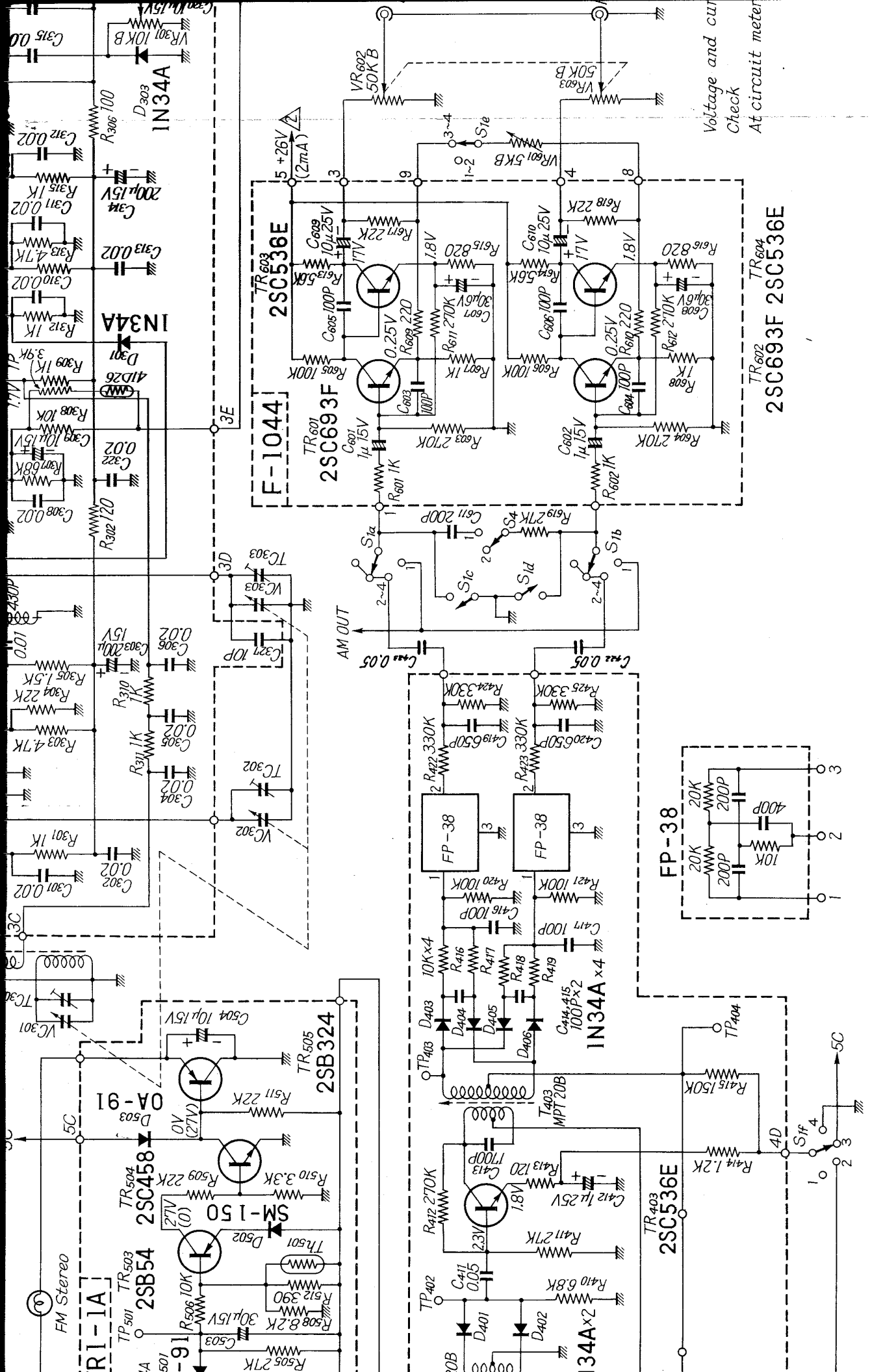
S₃ MUTING
 1 ON
 2 OFF

S₄ MPX NOISE CANCELER
 1 ON
 2 OFF

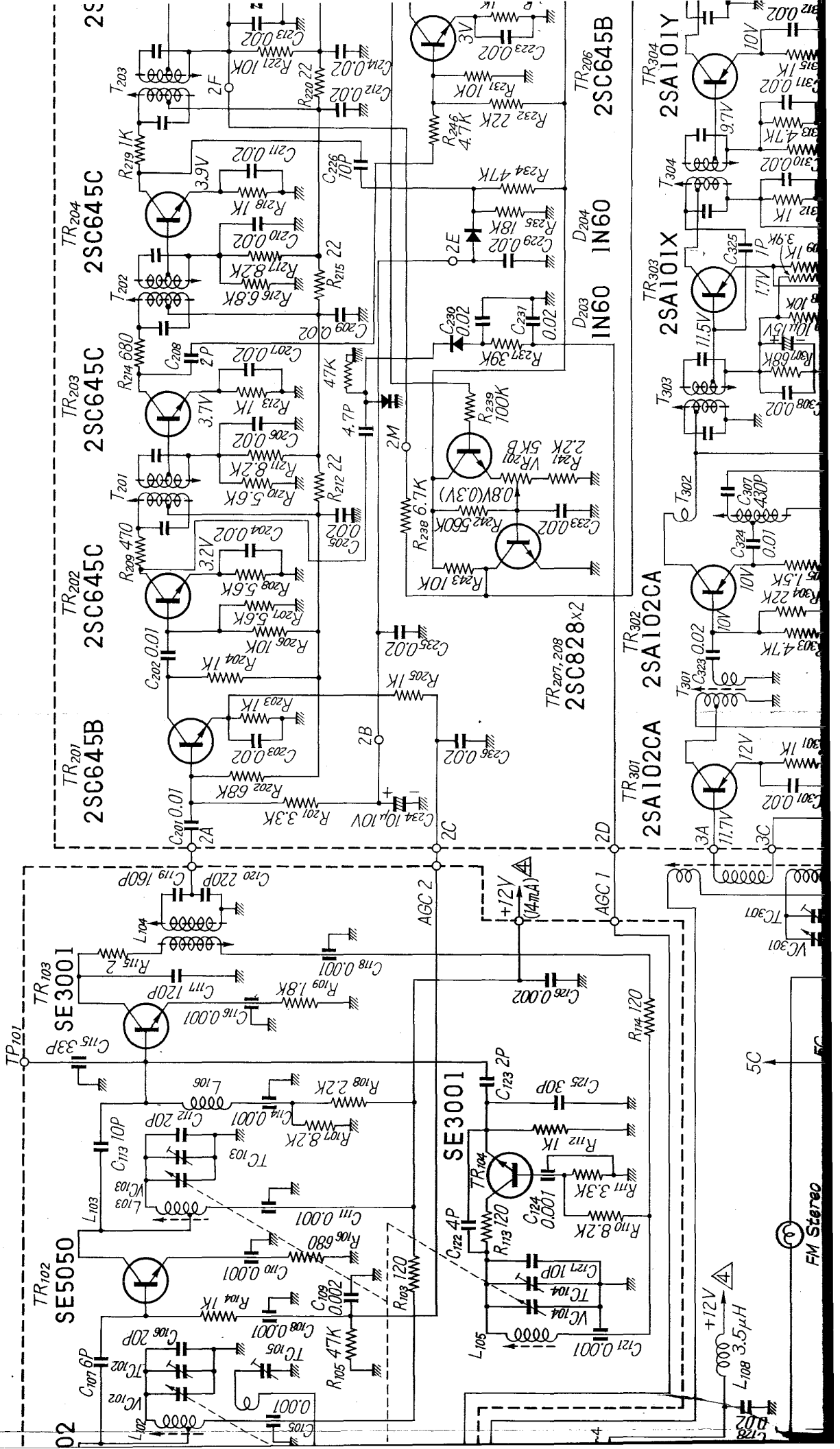
S₅ ANT ATT
 1 DIST
 2 LOC

S₆ POWER
 1 117V
 2 220V~240V

Voltage and current
 Check
 At circuit meter 1V/20kΩ



SANSUI TU-777 SCHEMATIC DIAGRAM



SANSUI TU-777 SCH

