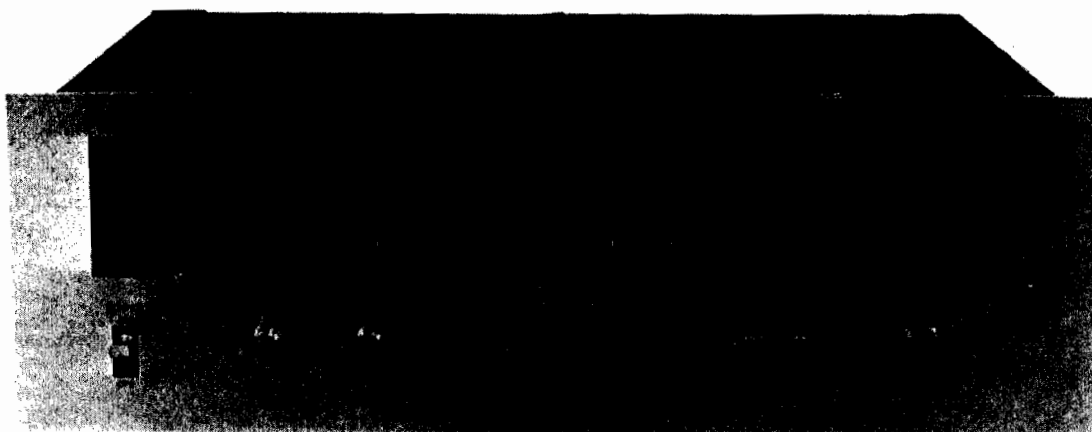


KENWOOD
HI/FI STEREO COMPONENTS

SERVICE MANUAL

KT-8300
(KT-9900)



AM-FM STEREO TUNER

CONTENTS

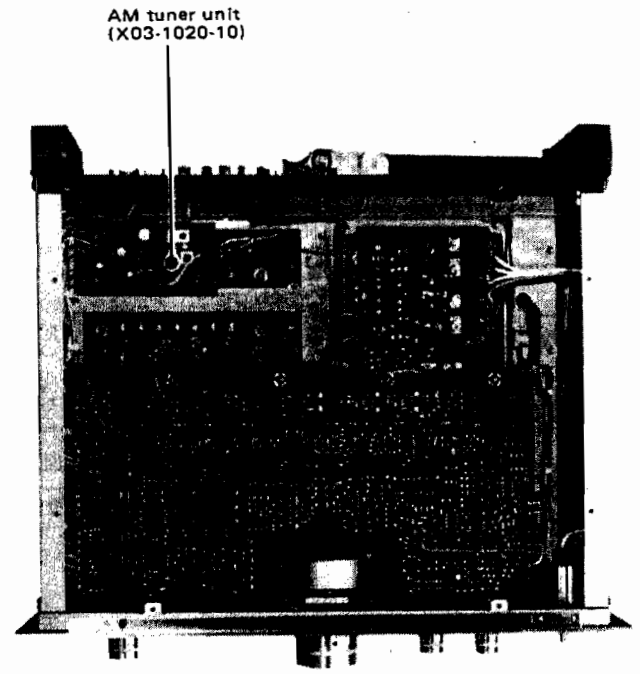
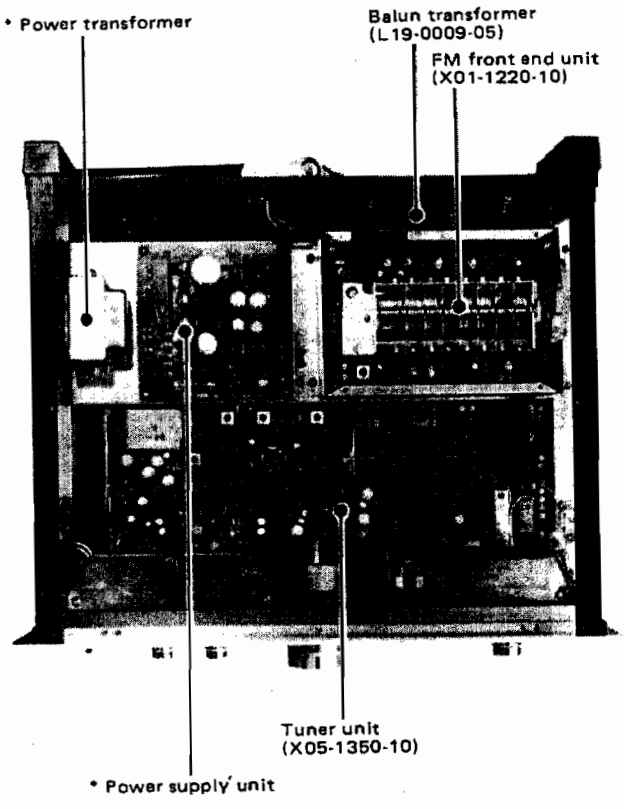
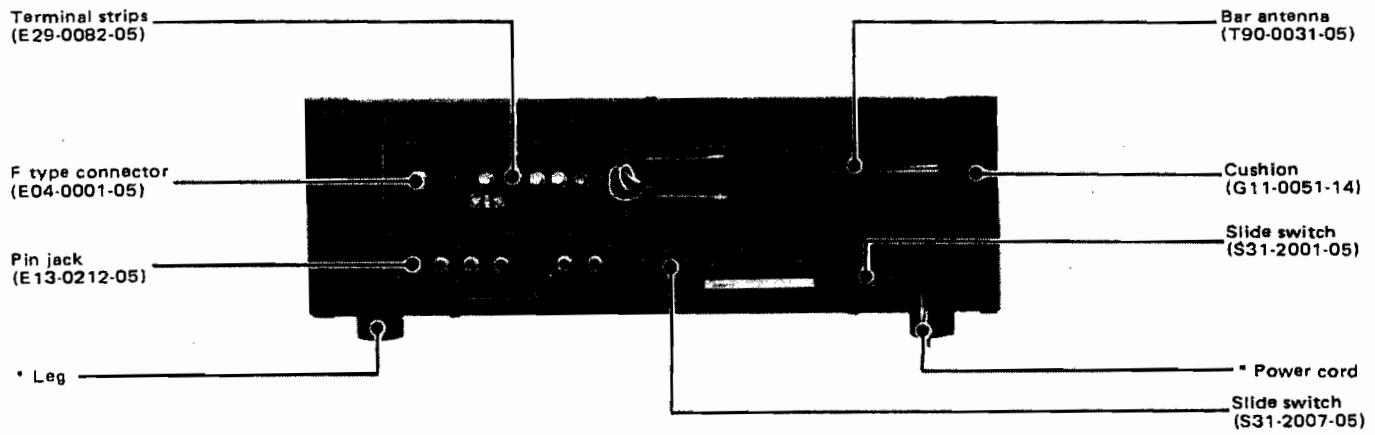
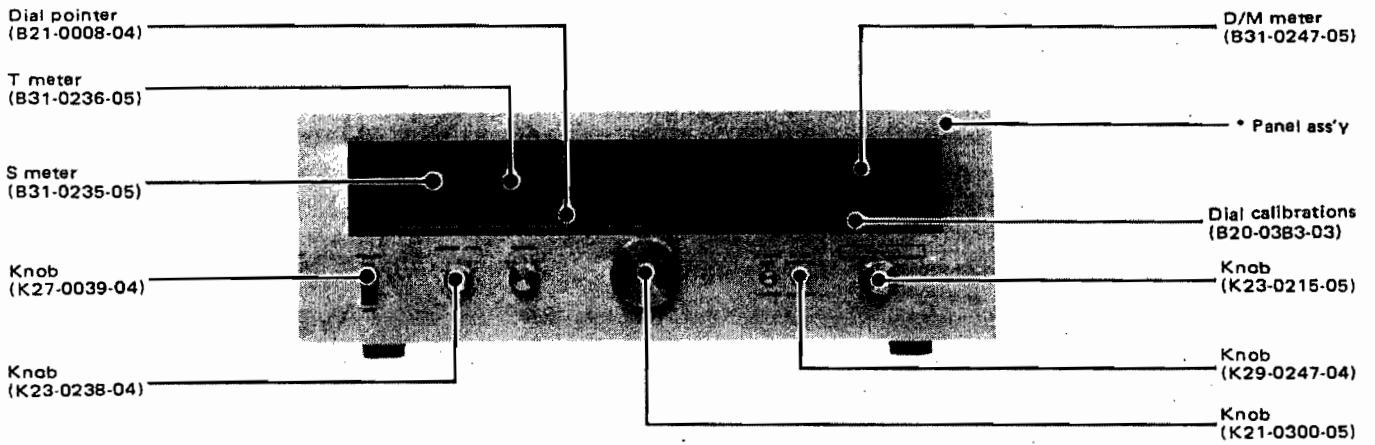
EXTERNAL & INTERNAL VIEW	3
DIAL CORD STRINGING	4
BLOCK DIAGRAM	4
CIRCUIT DESCRIPTIONS	5
ADJUSTMENTS	7
DESTINATIONS' PARTS LIST	8
PARTS LIST	
TOTAL	9
POWER SUPPLY (X00-1760-11, -61)	9
FM FRONT-END (X01-1220-10)	9
AM TUNER (X03-1020-10)	10
FM TUNER (X05-1350-10)	10
PC BOARD	
POWER SUPPLY	13
FM FRONT-END	13
AM TUNER	13
FM TUNER	14
SCHEMATIC DIAGRAM	15
SPECIFICATIONS	16
TROUBLESHOOTING	16

Note 1:
If a block of the parts list is not available in your country, please refer to the
list of destinations at the end of this manual. The parts list is divided into
blocks according to the destinations.

Note 2:
The destinations are as follows:
Australia
Europe
Japan
Scandinavia
South Africa
Other areas

Note 3:
Symbol in parts list means the non-part.
KT-9900 is the model name of the SRS-90 wide-band transmitter.

EXTERNAL & INTERNAL VIEW

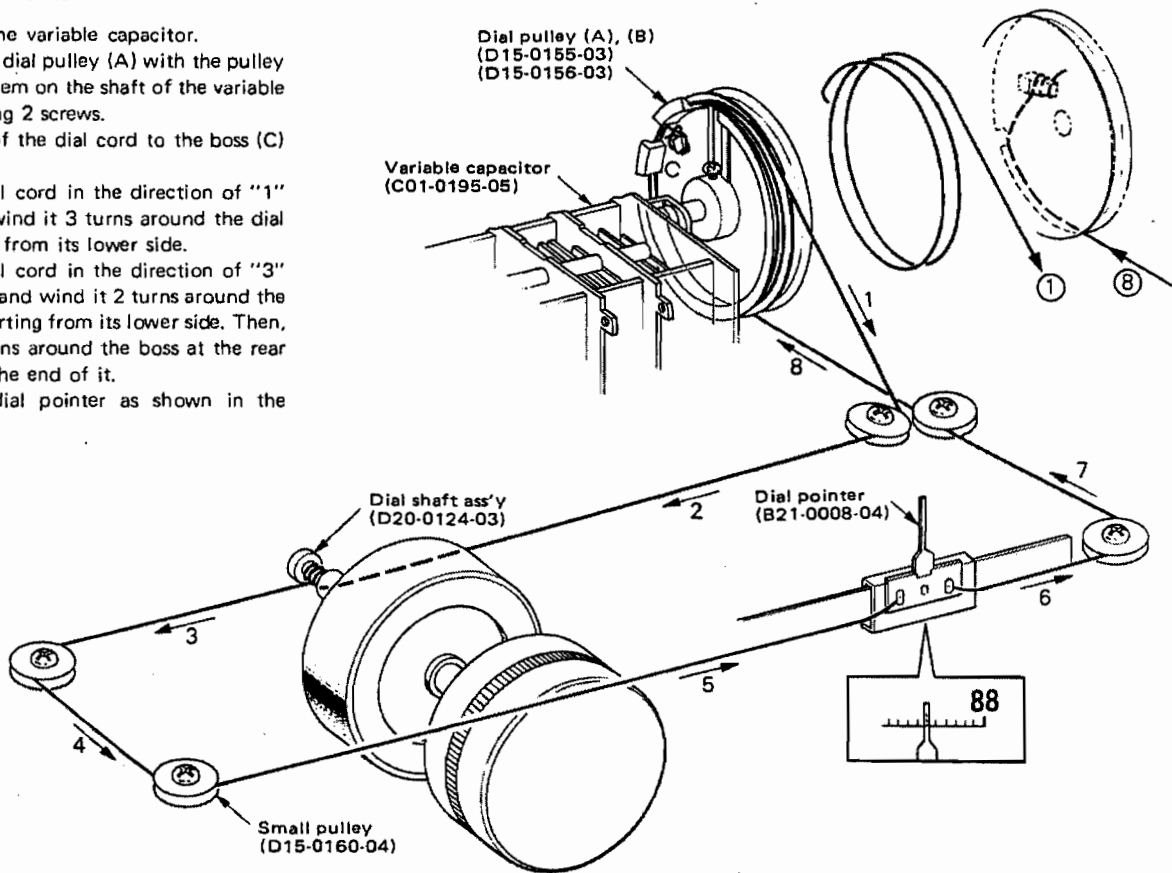


* Refer to Destinations' parts list.

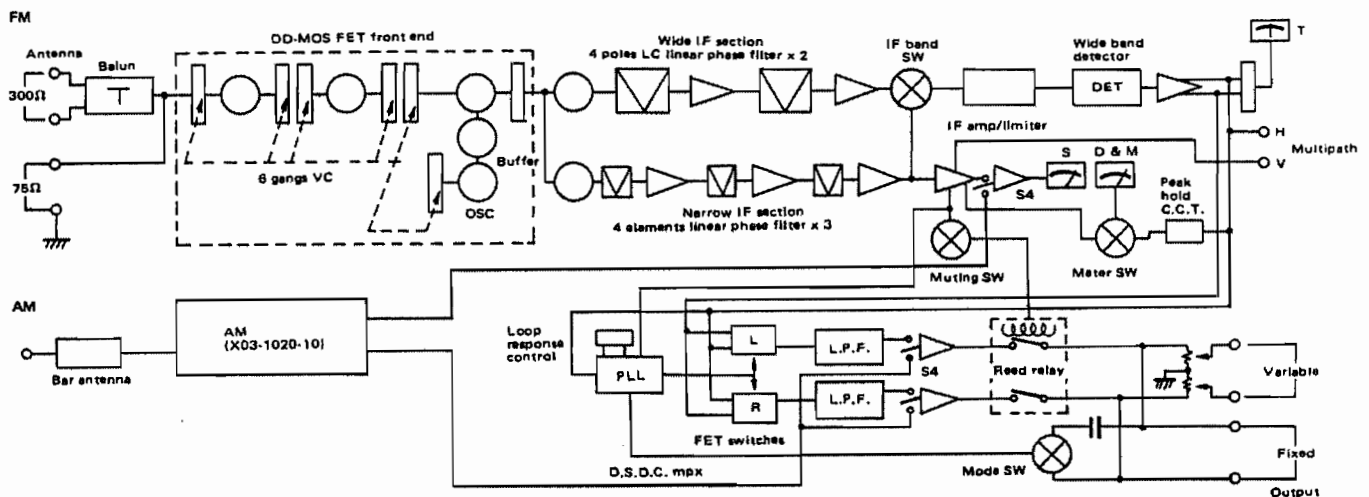
DIAL CORD STRINGING/BLOCK DIAGRAM

DIAL CORD STRINGING

1. Fully close the variable capacitor.
2. Assemble the dial pulley (A) with the pulley (B) and fix them on the shaft of the variable capacitor using 2 screws.
3. Tie the end of the dial cord to the boss (C) as shown.
4. Dress the dial cord in the direction of "1" to "2" and wind it 3 turns around the dial shaft starting from its lower side.
5. Dress the dial cord in the direction of "3" through "8" and wind it 2 turns around the pulley (B) starting from its lower side. Then, wind it 2 turns around the boss at the rear side and tie the end of it.
6. Mount the dial pointer as shown in the illustration.



BLOCK DIAGRAM



CIRCUIT DESCRIPTIONS

FM-RF (X01-1220-10)

1. ADOPTION OF DD TYPE DUAL GATE MOS-FET (Qa1, Qa2)

The RF amplifier employs DD (Double-Diffused) type MOS-FET elements. This type of FET has been processed through diffusion repeated twice, and hence it offers a better high-frequency characteristic and a shorter channel length to be controlled by gate potential. The noteworthy features are (1) preferable large-input characteristic, (2) preferable spurious response and mutual modulation characteristics, (3) sensitivity with low noise figure (NF), and (4) stabilized performance with a small feedback capacity.

2. ADOPTION OF HIGH-ACCURACY 6-GANG VARIABLE CAPACITOR

The high-frequency selective circuit is composed of single-double-double tuning stages. Such a multistage type circuit may often result in degradation of distortion factor. However, this tuning circuit with an optimum Q has been designed by the adoption of a high-accuracy 6-gang variable capacitor with minimal tracking and gang errors, and by the reduction of load capacity realized by DD type MOS-FET. Thus, preferable image rejection, spurious response, and IF interference characteristics are obtained without sacrificing distortion characteristics.

3. MIXER WITH MOS-FET (Qa3)

A dual gate MOS-FET is employed to suppress mutual modulation in the mixing stage.

4. LOCAL OSCILLATOR

A buffer circuit assures the stabilized supply of local oscillation output to the mixer so that the characteristics for AM suppression and cross-modulation can be improved. Since the local oscillator is joined with the variable capacitor, there is no error between actual setting and circuit operation.

TUNER (X05-1350-10)

FM-IF

The IF circuit can be switched over to NARROW or WIDE. The wide-band circuit is composed of Qg1, FLg1, Qg35, ICg1, FLg2, Qg36, ICg2, and Lg4. FLg1 and FLg2 are a 4-pole LC concentrated filter having a ideal group-delay characteristic. Qg35 and Qg36 compose an emitter-follower circuit which prevents deterioration of group-delay characteristic when a large input is applied.

The narrow-band circuit is composed of Qg2, FLg3, ICg3, FLg4, ICg4, FLg5, ICg5, and Lg4. FLg3, FLg4, and FLg5 are a 4-element phase linear type ceramic filter with excellent group-delay characteristics. These make it possible to obtain a selectivity of 110 dB. Switching over between NARROW and WIDE is effected by switching on ICg2 or ICg5. (This selection is possible with S1.) ICg2 or ICg5 is switched off when No. 2 terminal is grounded. After passing through the wide band or narrow band circuit, the 10.7 MHz IF signal is amplified at ICg6, ICg7, and ICg8, and then transmitted to the DET circuit.

Function of Qg38: When the IF circuit is switched over either to NARROW or WIDE, the muting circuit is switched on to suppress shock noise.

FM-DET

The detector circuit is assembled into a unit (W02-0005-05). It is a wide-band detector circuit of multicative detection system. This system is composed of phase shifter, wave shaping circuit, and multiplier having a low distortion characteristic. The detection band width is 5 MHz and a low distortion characteristic of 0.04% is realized over more than 1 MHz range. SN ratio is more than 85 dB. This detector circuit generates balanced output.

FM-MPX

The balanced output from the detector circuit is amplified by ICg11 and the main signal is fed to DSDC (Double switching demodulator circuit) through emitter-follower Qg17. The sub-signal for left channel passes through emitter-follower Qg15 and that for right channel passes through emitter-follower Qg16, both fed to DSDC. In this way, the newly designed DSDC cancels the leak components of right and left demodulators with exclusively installed canceling circuits. Adjustment for channel separation is independently performed at right and left circuits. Therefore separation for both channels can be adjusted to optimum values respectively.

As an analog switch, an excellent FET is used for MPX demodulator switching to obtain low distortion factor and high separation characteristic. This FET switching system is put to practical use by uniquely-designed FET driving circuit. Distortion factor of this circuit is less than 0.02% in monaural and less than 0.05% in stereo reproduction. Qg22, Qg24, Qg26, and Qg28 repeat on-off performance at 38 kHz to obtain the function of FET switching. Dg7 ~ 10 are used for the improvement of distortion characteristics.

CIRCUIT DESCRIPTIONS

The 38 kHz switching signal is generated by ICg12. The composite signal is amplified at Qg18 and applied to No. 11 terminal of ICg12. The 38 kHz sub-carrier signal is obtained from No. 4 and 5 terminals. A pilot signal is taken out of the composite signal by the aid of filter function of PLL. However, if the loop response is too fast, this filter function will be weakened and the sub-carrier will be mixed with main- and sub-signals, thus giving rise to a sort of cross-modulation distortion. Most part of distortion in the high-frequency range during stereo reproduction is caused by this phenomenon. Also in the low-frequency range, there will be a peak distortion in the vicinity of 200 Hz due to jitter in PLL (phase difference by LPF leakage). In order to eliminate high-frequency and jitter distortions, the input level of PLL (No. 11 terminal) is lowered after the stereo indicating lamp has been lit up. This delays the loop response (capture range narrowed), and increases the filter effect. In practical usage, emitter resistance of Qg18 is changed by Qg19 to give variation in amplification degree. In this manner, the amount of composite signal into ICg12 is increased or decreased. Qg19 is turned off while broadcast signals are received.

AUDIO AMP

The audio signals demodulated for the right and left channels enter the emitter-follower circuit of Qg29 or Qg30. After a carrier leak has been removed at low-pass filter FLg6, these signals are amplified at the final amplifier of ICg13 and generated as tuner output.

ACCESSORY CIRCUITS

1. S METER (FM)

A signal for the S meter passes through the AGC AMP of Qg5 ~ 7, is amplified at 1/2 ICg10, and is detected at Dg5. Indication is almost linear up to 1 mV while the SN ratio is completely saturated.

2. MULTIPATH METER

A signal for the multipath meter is amplified at 1/2 ICg10 and detected at Dg13. This meter is used to detect the AM component in 10.7 MHz IF signal and to supervise the amount of multi-path.

3. DEVIATION METER

The peak value of modulation is indicated by percentage, regarding deviation of 75 kHz as 100%. The composite signal is amplified at ICg14 and detected at Dg11 and Dg12. The obtained output is used to give deflections at the deviation meter. Qg33 is used to prevent the deflection at the muting level or lower.

4. T METER

A difference in balanced outputs (in reverse phase) from the multiplicative detector (W02-0005-05) is used to give deflections at the T meter.

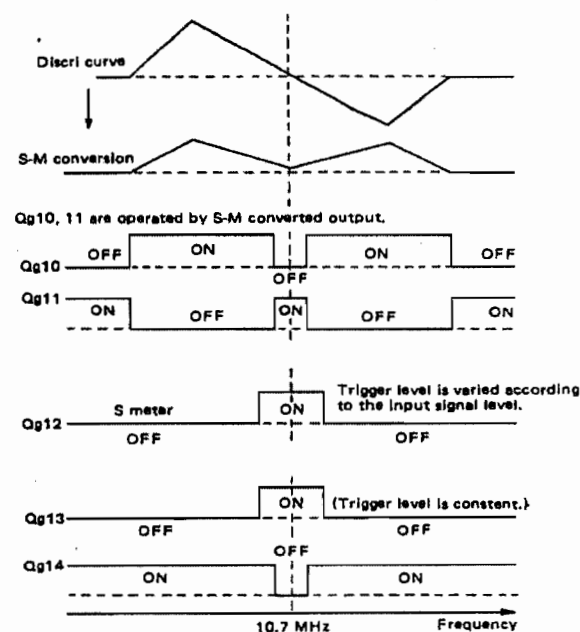
5. MUTING

The muting control signal is obtained from the AND circuit by utilizing the following 3 signals: (1) signal for deflecting the S meter (varied with input level), (2) signal from IF circuit, and (3) signal obtained from the S curve of DET through S-M conversion.

When the signal of (1) above is obtained, Qg12 is turned on. The signal of (2) is the detection output obtained from the circuit consisting of ICg9, Lg11, Dg2, and Dg3. This signal causes Qg13 to be turned on. The signal of (3) is obtained from the S curve of DET through S-M conversion effected by the phase detector circuit consisting of Qg8 and Qg9. With this signal, Qg10 is turned off and Qg11 is turned on when broadcast signals are received. Qg14 is turned off when all of Qg11 ~ 13 are turned on. It clears the muting function. If at least one of Qg11 ~ 13 is turned off, Qg14 is turned on and the muting function is obtained.

Qg31 and Qg32 are used to compose a relay driving circuit which can be switched on or off by a muting control signal or by a signal which can be obtained after the set has been energized (rectified signal from Dk3).

The muting circuit can be set to either of the two purposes. It can be used for the major purpose of inter-station noise suppression, or when a high-quality station (SN ratio being 50 dB or higher) is selected for stereo reception.



ADJUSTMENTS

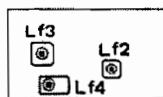
TEST EQUIPMENTS

RF signal generator RF-SG
 Oscilloscope scope
 Solid state volt meter (input impedance: more than 1MΩ) .. SSVM
 DC volt meter DCVM
 FM stereo generator MPX-SG
 Frequency counter
 Distortion meter

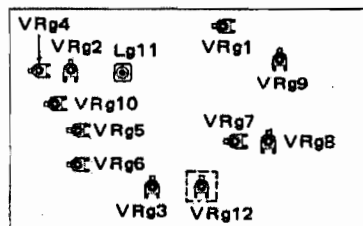
NOTE

- * Tuning dial is set to the proper point corresponding to no radio stations.
- * RF-SG is set to the lower response possible on oscilloscope.
- * The output level of RF-SG is made a 6 dB drop by the dummy ant.
- * The input level 60 dB means 66 dB on RF-SG.
- * Repeat TRACKING adjustment several times and confirm the reception of broadcasting.
- * Test point is shown in the schematic diagram.

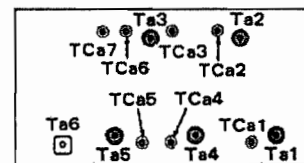
No.	ALIGN	TEST EQUIPMENTS		TUNER SETTING	OUTPUT INDICATOR	ADJUSTMENT POINTS	REMARKS
		CONNECTION	SETTING				
FM SECTION							
1	DISCRIMINATOR	-	-	-	T meter	VRg4 VRg12	Make the pointer position in the center of the meter (at Narrow mode) Make the pointer position in the center of the meter (at Wide mode)
2	TRACKING	RF-SG to ANT terminal via dummy ant.	90 MHz 1 kHz (Mod) 75 kHz (Dev)	90 MHz	SSVM, distortion meter & scope to output jack (L)	Ta1 ~ 5 TCa1 ~ 5	Maximum deflection, minimum distortion
3			105 MHz 1 kHz (Mod) 75 kHz (Dev)	105 MHz			
4	Repeat "DISCRIMINATOR" adjustment						
5	IF TRIGGER	RF-SG to ANT terminal via dummy ant.	100 MHz 0 (Dev) 60 dB	100 MHz	DCVM to TP1	Lg11	Maximum DC voltage
6			100 MHz 0 (Dev) 10 dB	- ditto -	- ditto -	Ta6	Maximum DC voltage
6	IF TRIGGER LEVEL	- ditto -	100 MHz 0 (Dev) 60 dB	- ditto -	- ditto -	VRg2	Adjust DC voltage to 1.8 V
7	IF GAIN	-	-	-	- ditto -	VRg1	Adjust DC voltage to 0.6 V
8	S METER	RF-SG to ANT terminal via dummy ant.	100 MHz 0 (Dev) 60 dB	100 MHz	S meter	VRg3	Make the pointer indication "5" digit
9	MUTING LEVEL	- ditto -	100 MHz 0 (Dev) 16 dB	- ditto -	SSVM & scope to output jack (L)	VRg9	Adjust VRg9 so that muting operation is on
10	VCO	-	-	-	Frequency counter to TP2	VRg7	Adjust VCO frequency to 19 kHz
11	OUTPUT LEVEL	- ditto -	100 MHz 1 kHz (Mod) 75 kHz (Dev) 60 dB	100 MHz	SSVM & scope to FM DET OUT	VRg10	Adjust OUTPUT LEVEL to 300 mV
12	SEPARATION	RF-SG to ANT terminal MPX-SG to RF-SG ext. Mod.	MPX-SG: SELECTOR → L or R 1 kHz (Mod)	- ditto -	SSVM & scope to output jack (R)	VRg8	Minimum deflection
13			RF-SG: 100 MHz, 60 dB 68.25 kHz (Dev)			SSVM & scope to output jack (L)	VRg5
13	DISTORTION	- ditto -	MPX-SG: SELECTOR → L + R 1 kHz (Mod) RF-SG: 100 MHz, 60 dB 75 kHz (Dev)	- ditto -	SSVM, scope & distortion meter to output jack (L)	Ta6	Minimum distortion
14	DEVIATION METER	RF-SG to ANT terminal via dummy ant.	100 MHz 1 kHz (Mod) 75 kHz (Dev) 60 dB	- ditto -	D meter	VRg8	100% deflection
AM SECTION							
1	IF	RF-SG to ANT terminal via dummy ant.	1000 kHz 400 Hz, 30% (Mod) 100 dB	1000 kHz	SSVM & scope to output jack (L)	L14	Maximum deflection
2	TRACKING	- ditto -	600 kHz 400 Hz, 30% (Mod) 100 dB	600 kHz	- ditto -	L13 Bar antenna	- ditto -
3			1400 kHz 400 Hz, 30% (Mod) 100 dB	1400 kHz		TCa6, 7	



AM UNIT
(X03-1020-10)



FM TUNER
(X05-1350-10)



RF UNIT
(X01-1220-10)

DESTINATIONS' PARTS LIST

#: new parts

Ref. No.	U.S.A. (K)	Canada (P)	PX (U)	Australia (X)	Europe (W)	Scandinavia (L)	England (T)	Other Area (M)	KT-9900 (M2)	Description
C3, 4	CQ09S1H-202G(B)	CQ09S1H-202G(B)	CQ09S1H-202G(B)	CQ09S1H-102G(B)	CQ09S1H-102G(B)	CQ09S1H1-102G(B)	CQ09S1H-102G(B)	CQ09S1H-202G(B)	CQ09S1H-202G(B)	Polystyrene capacitor 2000pF ±2%
C3, 4	-	-	-	-	-	-	-	-	-	Polystyrene capacitor 1000pF ±2%
-	A20-1060-02	A20-1060-02	A20-1060-02	A20-1060-02	A20-1060-02	A20-1060-02	A20-1060-02	A20-1060-02	A20-1078-02	Panel ass'y *
-	A30-0110-02	A30-0110-02	A30-0110-02	A30-0110-02	A30-0110-02	A30-0110-02	A30-0111-02	A30-0110-02	A30-0112-02	Dial board *
-	B46-0056-00	B46-0055-10	B46-0050-00	-	-	-	-	-	-	Warranty card
-	-	-	B46-0051-00	-	-	-	-	-	-	Warranty card
-	B50-1513-00	B50-1513-00	B50-1513-00	B50-1513-00	B50-1513-00	B50-1513-00	B50-1514-00	B50-1513-00	B50-1545-00	Instruction manual *
-	-	-	B59-0018-00	-	-	-	-	-	-	Kenwood service stations' list
-	D32-0075-04 x 1	D32-0075-04 x 1	D32-0075-04 x 2	D32-0075-04 x 2	D32-0075-04 x 2	D32-0075-04 x 1	D32-0075-04 x 1	D32-0075-04 x 2	D32-0075-04 x 2	Switch stopper
-	E29-0047-04	-	-	-	-	-	-	-	-	Lead hold for bar antenna
-	E30-0181-05	E30-0181-05	E30-0545-05	E30-0185-05	E30-0459-05	E30-0292-05	040-0304-05	E30-0545-05	E30-0545-05	Power cord
-	H01-1589-14	H01-1590-14	H01-1597-14	H01-1589-14	H01-1589-14	H01-1589-14	H01-1591-14	H01-1589-14	H01-1592-14	Carton case
-	H20-0394-04	H20-0394-04	H20-0394-04	H20-0394-04	H20-0394-04	H20-0394-04	H20-0394-04	H20-0416-04	H20-0394-04	Polyethylene cover
-	-	-	-	-	-	-	-	H40-0004-04	-	Rust preventing paper
-	J02-0073-04	J02-0049-14	J02-0049-14	J02-0049-14	J02-0049-14	J02-0049-14	J02-0049-14	J02-0049-14	J02-0049-14	Leg x 4
-	J41-0034-05	J41-0034-05	J41-0034-05	J41-0024-15	J41-0033-05	J41-0033-05	J41-0024-15	J41-0034-05	J41-0034-05	Power cord bushing
-	-	-	-	-	-	J61-0038-05	J61-0038-05	-	-	Cord band
-	L01-1141-05	L01-1141-05	L01-1145-05	L01-1145-05	L01-1146-05	L01-1142-05	L01-1147-05	L01-1145-05	L01-1145-05	Power transformer
S5	S33-2008-15	S33-2016-05	S33-2008-15	S33-2008-15	S33-2017-05	S33-2017-05	S33-2017-05	S33-2016-05	S33-2008-15	Lever switch (POWER)
-	-	-	S31-2001-05	-	-	-	-	S31-2001-05	S31-2001-05	Slide switch (Power voltage selector)
-	X00-1760-11	X00-1760-11	X00-1760-00	X00-1760-00	X00-1760-61	X00-1760-61	X00-1760-61	X00-1760-00	X00-1760-00	Power supply unit

PARTS LIST

☆ : new parts

Ref. No.	Parts No.	Description	Re- marks
CAPACITOR			
C1, 2	CK45D1H561M	Ceramic 560pF ±20%	
SEMICONDUCTOR			
CN1~3	V11-0392-05	LED GD-4-203CD x 3	
SWITCH			
S6	S31-2001-05	Slide (DIMMER)	
S7	S31-2007-05	Slide (DE-EMPHASIS)	
MISCELLANEOUS			
-	A48-0027-03	Side plate x 2	
-	A52-0016-03	Top plate	
-	B07-0162-04	Ring x 2	
-	B10-0204-03	Front glass	☆
-	B19-0192-04	Lighting acryl resin board	☆
-	B19-0193-04	Lighting acryl resin board	☆
-	B20-0383-03	Dial callibrations	☆
-	B21-0008-04	Dial pointer	
-	B30-0116-05	Pilot lamp(8V 300mA fuse type)x2	
-	B30-0123-05	Pilot lamp(8V 300mA white) x 3	☆
-	B31-0235-05	S meter	
-	B31-0236-05	T meter	
-	B31-0247-05	D/M meter	☆
-	B42-0009-04	Passed sticker	
-	D15-0155-03	Dial pulley (A)	
-	D15-0156-03	Dial pulley (B)	
-	D15-0160-04	Small pulley	
-	D19-0050-14	Back plate	
-	D20-0124-03	Dial shaft ass'y	☆
-	E04-0001-05	F-type connector	
-	E05-0125-05	F-type plug	
-	E13-0212-05	PIn jack (2P) x 3	
-	E29-0082-05	Antenna terminal	
-	E30-0505-05	Audio cord	
-	F99-0011-04	Slider	
-	G01-0312-04	Spring x 2	
-	G01-0314-04	Dial spring	
-	G11-0051-14	Cushion x 2	
-	H10-1348-12	Polystyrene foamed flixture	
-	H10-1349-12	Polystyrene foamed flixture	
-	H25-0048-03	Polyethylene bag (110 x 250mm)	
-	H25-0078-00	Instruction bag	
-	H25-0096-04	Polyethylene bag	
-	J13-0034-05	Fuse holder x 2	
-	J19-0306-05	Lead holder x 2	
-	J21-0480-13	Antenna mounting hardware	
-	J32-0227-04	Boss	
-	J42-0065-04	Lamp bushing x 3	
-	J61-0024-05	Wire clip (small) x 2	
-	J61-0045-05	Combex x 5	
-	K21-0300-04	Knob (TUNING)	
-	K23-0215-04	Knob (MODE)	
-	K23-0238-04	Knob (LEVEL, MUTING)	
-	K27-0039-04	Knob (POWER)	
-	K29-0247-04	Knob (Pushbutton) x 2	
-	L19-0009-05	Balun transformer	
-	N08-0125-05	Dress screw (8 mm) x 8	
-	N09-0100-14	Screw (small pulley) x 5	

Ref. No.	Parts No.	Description	Re- marks
-	T90-0002-05	FM indoor antenna	
-	T90-0031-05	AM bar antenna	
-	X01-1220-00	FM front-end	☆
-	X03-1020-10	AM tuner unit	☆
-	X05-1350-10	FM tuner unit	☆

POWER SUPPLY (X00-1760-11, -61)

Ref. No.	Parts No.	Description	Re- marks
CAPACITOR			
Ck1~4	CK45E2H103P	Ceramic 0.01μF 500WV	
Ck5	C90-0325-05	Electrolytic 2200μF 25WV	
Ck6	CE04W1E471EL	Electrolytic 470μF 25WV	
Ck7	CE04W1E221EL	Electrolytic 220μF 25WV	
Ck8	CE04W1E101EL	Electrolytic 100μF 25WV	
Ck9,10	CQ93M1H223M	Mylar 0.022μF ±20%	
Ck11	CE04W1C471EL	Electrolytic 470μF 16WV	
Ck12	CE04W1C221EL	Electrolytic 220μF 16WV	
Ck13	CS15E1E3R3M	Tantalum 3.3μF 25WV	
Ck14	CS15E1E6R8M	Tantalum 6.8μF 25WV	
Ck15	C91-0001-05	Ceramic 0.01μF 125WV	-11
	CK45E3D103PMU	Ceramic 0.01μF 2kWV	-61
RESISTOR			
Rk1	PD14BY2E183J	Carbon 180Ω ±5% 1/4W	
Rk2	PD14BY2E471J	Carbon 470Ω ±5% 1/4W	
Rk3	PD14BY2E181J	Carbon 180Ω ±5% 1/4W	
Rk4	PD14BY2E331J	Carbon 330Ω ±5% 1/4W	
Rk5	RN14AB3D4R7JB	Metal film 4.7Ω ±5% 2W	
Rk6	PD14BY2E824J	Carbon 820kΩ ±5% 1/4W	
Rk7	PD14BY2E182J	Carbon 1.8kΩ ±5% 1/4W	
Rk8	RC05GF2H225K	Carbon 2.2MΩ ±10% 1/2W	-11
SEMICONDUCTOR			
Qk1	V03-0343-05	Transistor 2SC1419 (C)	
Qk2	V01-0116-05	Transistor 2SA755 (C)	
Qk3	V03-0270-05	Transistor 2SC945 (Q) or (R)	
Dk1	V11-0252-05	Diode 1SRB10 (100V, 1A)	
Dk2, 3	V11-0295-05	Diode W06B (100V, 0.75A)	
Dk4	V11-0273-05	Diode 1S2076 (30V, 150mA)	
Dzk1,2	V11-0254-05	Zener diode YZ-140(14V, 500mW)	
MISCELLANEOUS			
Fk1,2	F05-8018-05	Fuse 800mA (UL) x 2	-11
	F05-8012-05	Fuse 800mA (S) x 2	-61
	F05-8015-05	Fuse 800mA (J) x 2	-00
Fk3	F05-3021-06	Fuse 3A (UL)	-11
	F05-3122-05	Fuse 3.15A (S)	-61
	F05-3022-05	Fuse 3A (J)	-00
-	J13-0020-05	Fuse holder (φ6 x 30) x 6	-00 -11
-	J13-0039-05	Fuse holder (φ5 x 20) x 6	-61

FM FRONT-END (X01-1220-10)

Ref. No.	Parts No.	Description	Re- marks
CAPACITOR			
Ca1	CC45CH1H080D	Ceramic 8pF ±0.5pF	
Ca2	CC45SL1H330J	Ceramic 33pF ±5%	
Ca3,4	CK45F1H103Z	Ceramic 0.01μF +80%, -20%	
Ca5	CC45SL1H150J	Ceramic 15pF ±5%	
Ca6	CC45CH1H120J	Ceramic 12pF ±5%	
Ca7	CC45CH1H100J	Ceramic 10pF ±5%	
Ca8	CC45SL1H080D	Ceramic 8pF ±0.5pF	
Ca9,10	CK45F1H103Z	Ceramic 0.01μF +80%, -20%	
Ca11	CC45SL1H150J	Ceramic 15pF ±5%	
Ca12	CC45CH1H120J	Ceramic 12pF ±5%	

PARTS LIST

Ref. No.	Parts No.	Description	Re- marks
Ca13	C91-0020-05	Ceramic 0.68pF ±20%	
Ca14	CC45SL1H150J	Ceramic 15pF ±5%	
Ca15	CC45CH1H120J	Ceramic 12pF ±5%	
Ca16	CC45SL1H221K	Ceramic 220pF ±10%	
Ca17	CK45F1H103Z	Ceramic 0.01μF +80%, -20%	
Ca18	CC45CH1H220J	Ceramic 22pF ±5%	
Ca19	CK45F1H103Z	Ceramic 0.01μF +80%, -20%	
Ca20	CQ93M1H103K	Mylar 0.01μF ±10%	
Ca21	CC45CH1H060D	Ceramic 6pF ±0.5pF	
Ca22	CK45F1H103Z	Ceramic 0.01μF +80%, -20%	

RESISTOR

Ra1	PD14CY2E154J	Carbon 150kΩ ±5% 1/4W	
Ra2	PD14CY2E473J	Carbon 47kΩ ±5% 1/4W	
Ra3	PD14CY2E104J	Carbon 100kΩ ±5% 1/4W	
Ra4	PD14CY2E824J	Carbon 820kΩ ±5% 1/4W	
Ra5	PD14CY2E221J	Carbon 220Ω ±5% 1/4W	
Ra6	PD14CY2E682J	Carbon 6.8kΩ ±5% 1/4W	
Ra7	PD14CY2E154J	Carbon 150kΩ ±5% 1/4W	
Ra8	PD14CY2E473J	Carbon 47kΩ ±5% 1/4W	
Ra9	PD14CY2E104J	Carbon 100kΩ ±5% 1/4W	
Ra10	PD14CY2E221J	Carbon 220Ω ±5% 1/4W	
Ra11,12	PD14CY2E104J	Carbon 100kΩ ±5% 1/4W	
Ra13	PD14CY2E820J	Carbon 82Ω ±5% 1/4W	
Ra14	PD14CY2E682J	Carbon 6.8kΩ ±5% 1/4W	
Ra15	PD14CY2E562J	Carbon 5.6kΩ ±5% 1/4W	
Ra16	PD14CY2E682J	Carbon 6.8kΩ ±5% 1/4W	
Ra17	PD14CY2E391J	Carbon 390Ω ±5% 1/4W	
Ra18	PD14CY2E102J	Carbon 1kΩ ±5% 1/4W	
Ra19	PD14CY2E104J	Carbon 100kΩ ±5% 1/4W	

SEMICONDUCTOR

Qa1,2	V09-0108-05	FET SD306	
Qa3	V09-0103-05	FET 3SK49 (R)	

TRIMMER / COIL

TCa1~5	C05-0010-15	Ceramic trimmer	
TCa6,7	C05-0013-15	Ceramic trimmer	
Ta1	L31-0377-05	FM ANT coil	
Ta2	L31-0382-05	FM RF coil	
Ta3	L31-0379-05	FM RF coil	
Ta4,5	L31-0382-05	FM RF coil	
Ta6	L30-0246-05	FM IFT	
La1,2	L33-0025-05	Choke coil	
La3	L40-1091-41	Ferri-inductor	

MISCELLANEOUS

-	C01-0195-05	Variable capacitor	☆
-	E29-0086-04	Lead plate	☆

AM TUNER (X03-1020-10)

Ref. No.	Parts No.	Description	Re- marks
CAPACITOR			
Cf1	CK45F1H103Z	Ceramic 0.01μF +80%, -20%	
Cf3	CE04W1C101	Electrolytic 100μF 16WV	
Cf4	CE04W1E4R7	Electrolytic 4.7μF 25WV	
Cf5	CE04W1C100	Electrolytic 10μF 16WV	
Cf6	CE04W1H010	Electrolytic 1μF 50WV	
Cf7	CC45SL1H150K	Ceramic 15pF ±10%	
Cf8	CQ93M1H102K	Mylar 0.001μF ±10%	
Cf9	CC45SL1H150K	Ceramic 15pF ±10%	
Cf10	CK45F1H103Z	Ceramic 0.01μF +80%, -20%	
Cf11	CQ09S1H361J	Polystyrene 360pF ±5%	
Cf12~14	CK45F1H103Z	Ceramic 0.01μF +80%, -20%	
Cf15	CQ93M1H683K	Mylar 0.068μF ±10%	
Cf16	CE04W1H010	Electrolytic 1μF 50WV	

Ref. No.	Parts No.	Description	Re- marks
Cf17	CK45F1H103Z	Ceramic 0.01μF +80%, -20%	
Cf18	CC45SL1H470K	Ceramic 47pF ±10%	

RESISTOR

Rf2	PD14BY2B272J	Carbon 2.7kΩ ±5% 1/8W	
Rf3	PD14BY2B122J	Carbon 1.2kΩ ±5% 1/8W	
Rf4	PD14BY2B101J	Carbon 100Ω ±5% 1/8W	
Rf5	PD14BY2B682J	Carbon 6.8kΩ ±5% 1/8W	
Rf6,7	PD14BY2B103J	Carbon 10kΩ ±5% 1/8W	
Rf8	PD14BY2B222J	Carbon 2.2kΩ ±5% 1/8W	
Rf9	PD14BY2B104J	Carbon 100kΩ ±5% 1/8W	
Rf10	PD14BY2B222J	Carbon 2.2kΩ ±5% 1/8W	
Rf11	PD14BY2B562J	Carbon 5.6kΩ ±5% 1/8W	
Rf12	PD14BY2B104J	Carbon 100kΩ ±5% 1/8W	
Rf13	PD14BY2B391J	Carbon 390Ω ±5% 1/8W	
Rf14	PD14BY2B183J	Carbon 18kΩ ±5% 1/8W	

SEMICONDUCTOR

ICf1	V30-0134-05	IC HA1151	
Qf2	V03-0270-05	Transistor 2SC945 (Q)	
Df1	V11-0076-05	Diode 1S1555	

COIL / INDUCTOR / FILTER

Lf1	L40-1021-43	Inductor 1 mH	
Lf2	L30-0284-05	IFT	
Lf3	L32-0181-05	OSC coil	
Lf4	L72-0036-05	Ceramic filter	

FM TUNER (X05-1350-10)

Ref. No.	Parts No.	Description	Re- marks
CAPACITOR			
Cg1~33	CK45F1H103Z	Ceramic 0.01μF +80%, -20%	
Cg34	CQ93M1H562J	Mylar 5600pF ±5%	
Cg35,36	CK45F1H103Z	Ceramic 0.01μF +80%, -20%	
Cg37	CK45D1H561M	Ceramic 560pF ±20%	
Cg38	CE04W1H010	Electrolytic 1μF 50WV	
Cg39	CE04W1H3R3	Electrolytic 3.3μF 50WV	
Cg40	CE04W1H010	Electrolytic 1μF 50WV	
Cg41~45	CK45F1H103Z	Ceramic 0.01μF +80%, -20%	
Cg46	CE04W1H010MBR	Electrolytic 1μF 50WV	
Cg47	CE04W1H3R3MBR	Electrolytic 3.3μF 50WV	
Cg48	CE04W1H010MBR	Electrolytic 1μF 50WV	
Cg49,50	CK45F1H103Z	Ceramic 0.01μF +80%, -20%	
Cg51	CE04W1C221	Electrolytic 220μF 16WV	
Cg52	CE04W1C101	Electrolytic 100μF 16WV	
Cg53	CE04W1C100MBR	Electrolytic 10μF 16WV	
Cg54,55	CE04W1H010MBR	Electrolytic 1μF 50WV	
Cg58	CE04W1H3R3	Electrolytic 3.3μF 50WV	
Cg59	CE04W1E100	Electrolytic 10μF 25WV	
Cg60	CE04W1H3R3MBR	Electrolytic 3.3μF 50WV	
Cg61	CE04W1C470MBR	Electrolytic 47μF 16WV	
Cg62	CQ93M1H103K	Mylar 0.01μF ±10%	
Cg63	CC45SL1H101K	Ceramic 100pF ±10%	
Cg64	CQ93M1H103K	Mylar 0.01μF ±10%	
Cg65	CE04W1H010	Electrolytic 1μF 50WV	
Cg66	CQ93M1H334M	Mylar 0.33μF ±20%	
Cg67	CE04W1C100MBR	Electrolytic 10μF 16WV	
Cg68	CE04W1C470MBR	Electrolytic 47μF 16WV	
Cg69	CQ09S1H361J	Polystyrene 360pF ±5%	
Cg70	CE04W1C470	Electrolytic 47μF 16WV	
Cg71,72	CE04W1H010MBR	Electrolytic 1μF 50WV	
Cg73~76	CC45SL1H270K	Ceramic 27pF ±10%	
Cg77,78	CE04W1C101	Electrolytic 100μF 16WV	
Cg79,80	CE04W1H010MBR	Electrolytic 1μF 50WV	
Cg81,82	CC45SL1H330K	Ceramic 33pF ±10%	
Cg83,84	CQ09S1H102GB	Polystyrene 1000pF ±2%	
Cg85~88	CQ93M1H154K	Mylar 0.15μF ±10%	
Cg89,90	CE04W1A470EL	Electrolytic 47μF 10WV	

PARTS LIST

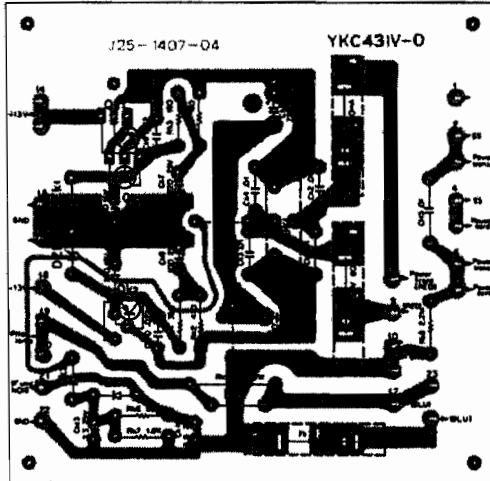
Ref. No.	Parts No.	Description	Re- marks	Ref. No.	Parts No.	Description	Re- marks
Cg91	CQ93M1H223K	Mylar 0.022μF ±10%		Rg55	PD14BY2B103JKW	Carbon 10kΩ ±5% 1/8W	
Cg92	CE04W1H010	Electrolytic 1μF 50WV		Rg56	PD14BY2B224JKW	Carbon 220kΩ ±5% 1/8W	
Cg93	CK45D1H391M	Ceramic 390pF ±20%		Rg57	R92-0161-05	Carbon 3.9kΩ ±5% 1/8W	
Cg94	CE04W1H010	Electrolytic 1μF 50WV		Rg58,59	RN14AB2E562JMA	Metal film 5.6kΩ ±5% 1/4W	
Cg95	CQ93M1H473M	Mylar 0.047μF 50WV		Rg60	PD14BY2B471JKW	Carbon 470Ω ±5% 1/8W	
Cg96	CE04W1E100	Electrolytic 10μF 25WV		Rg61	PD14BY2B471JKW	Carbon 470Ω ±5% 1/8W	
Cg97	CE04W1A101	Electrolytic 100μF 10WV		Rg62	PD14BY2B472JKW	Carbon 4.7kΩ ±5% 1/8W	
Cg98	CC45SL1H270K	Ceramic 27pF ±10%		Rg63,64	PD14BY2B473JKW	Carbon 47kΩ ±5% 1/8W	
Cg101~103	CK45F1H103Z	Ceramic 0.01μF +80%, -20%		Rg65	PD14BY2B273JKW	Carbon 27kΩ ±5% 1/8W	
Cg104	CC45SL1H030C	Ceramic 3pF ±0.25pF		Rg66	PD14BY2B223JKW	Carbon 22kΩ ±5% 1/8W	
Cg105	CK45F1H473Z	Ceramic 0.047μF +80%, -20%		Rg67	PD14BY2B103JKW	Carbon 10kΩ ±5% 1/8W	
Cg106	CK45F1H103Z	Ceramic 0.01μF +80%, -20%		Rg68,69	PD14BY2B223JKW	Carbon 22kΩ ±5% 1/8W	
Cg107	CC45SL1H050C	Ceramic 5pF ±0.25pF		Rg71,72	PD14BY2B103JKW	Carbon 10kΩ ±5% 1/8W	
Cg108,109	CK45F1H103Z	Ceramic 0.01μF +80%, -20%		Rg73	PD14BY2B562JKW	Carbon 5.6kΩ ±5% 1/8W	
Cg110	CC45SL1H050C	Ceramic 5pF ±0.25pF		Rg74	PD14BY2B101JKW	Carbon 100Ω ±5% 1/8W	
Cg111	CK45F1H103Z	Ceramic 0.01μF +80%, -20%		Rg75,76	PD14BY2B103JKW	Carbon 10kΩ ±5% 1/8W	
Cg112	CE04W1C101	Electrolytic 100μF 16WV		Rg77,78	PD14BY2B223JKW	Carbon 22kΩ ±5% 1/8W	
Cg114	CK45F1H103Z	Ceramic 0.01μF +80%, -20%		Rg79	RN14AB2E562JMA	Metal film 5.6kΩ ±5% 1/4W	
Cg115	CS15E1VR22M	Tantalum 0.22μF 35WV		Rg80	PD14BY2B271JKW	Carbon 270Ω ±5% 1/8W	
Cg116,117	CE04W1C100MBR	Electrolytic 10μF 16WV		Rg81	PD14BY2B103JKW	Carbon 10kΩ ±5% 1/8W	
RESISTOR							
Rg1	PD14BY2B471JKW	Carbon 470Ω ±5% 1/8W		Rg82,83	PD14BY2B562JKW	Carbon 5.6kΩ ±5% 1/8W	
Rg2	PD14BY2B101JKW	Carbon 100Ω ±5% 1/8W		Rg84	PD14BY2B272JKW	Carbon 2.7kΩ ±5% 1/8W	
Rg3	PD14BY2B561JKW	Carbon 560Ω ±5% 1/8W		Rg85	PD14BY2B184JKW	Carbon 180kΩ ±5% 1/8W	
Rg4	PD14BY2B102JKW	Carbon 1kΩ ±5% 1/8W		Rg86	PD14BY2B273JKW	Carbon 27kΩ ±5% 1/8W	
Rg5	PD14BY2B101JKW	Carbon 100Ω ±5% 1/8W		Rg87	PD14BY2B272JKW	Carbon 2.7kΩ ±5% 1/8W	
Rg6	PD14BY2B561JKW	Carbon 560Ω ±5% 1/8W		Rg88	PD14BY2B561JKW	Carbon 560Ω ±5% 1/8W	
Rg7	PD14BY2B122JKW	Carbon 1.2kΩ ±5% 1/8W		Rg89	PD14BY2B271JKW	Carbon 270Ω ±5% 1/8W	
Rg8	PD14BY2B101JKW	Carbon 100Ω ±5% 1/8W		Rg90,91	PD14BY2B333JKW	Carbon 33kΩ ±5% 1/8W	
Rg9,10	PD14BY2B331JKW	Carbon 330Ω ±5% 1/8W		Rg92	PD14BY2E824JKW	Carbon 820kΩ ±5% 1/8W	
Rg11	PD14BY2B101JKW	Carbon 100Ω ±5% 1/8W		Rg93	PD14BY2E274JKW	Carbon 270kΩ ±5% 1/8W	
Rg12,13	PD14BY2B331JKW	Carbon 330Ω ±5% 1/8W		Rg94,95	PD14BY2B153JKW	Carbon 15kΩ ±5% 1/8W	
Rg14	PD14BY2B101JKW	Carbon 100Ω ±5% 1/8W		Rg96	PD14BY2B181JKW	Carbon 180Ω ±5% 1/8W	
Rg15	PD14BY2B331JKW	Carbon 330Ω ±5% 1/8W		Rg97	PD14BY2B223JKW	Carbon 22kΩ ±5% 1/8W	
Rg16	PD14BY2B561JKW	Carbon 560Ω ±5% 1/8W		Rg98	PD14BY2B101JKW	Carbon 100Ω ±5% 1/8W	
Rg17	PD14BY2B101JKW	Carbon 100Ω ±5% 1/8W		Rg99	PD14BY2B222JKW	Carbon 2.2kΩ ±5% 1/8W	
Rg21	PD14BY2B102JKW	Carbon 1kΩ ±5% 1/8W		Rg100,101	PD14BY2B822JKW	Carbon 8.2kΩ ±5% 1/8W	
Rg22	PD14BY2B122JKW	Carbon 1.2kΩ ±5% 1/8W		Rg102,103	PD14BY2B103JKW	Carbon 10kΩ ±5% 1/8W	
Rg23	PD14BY2B101JKW	Carbon 100Ω ±5% 1/8W		Rg104~107	PD14BY2B154JKW	Carbon 150kΩ ±5% 1/8W	
Rg24	PD14BY2B122JKW	Carbon 1.2kΩ ±5% 1/8W		Rg108	PD14BY2B562JKW	Carbon 5.6kΩ ±5% 1/8W	
Rg25	PD14BY2B561JKW	Carbon 560Ω ±5% 1/8W		Rg109	PD14BY2B223JKW	Carbon 22kΩ ±5% 1/8W	
Rg26	PD14BY2B101JKW	Carbon 100Ω ±5% 1/8W		Rg110	PD14BY2B562JKW	Carbon 5.6kΩ ±5% 1/8W	
Rg27	PD14BY2B102JKW	Carbon 1kΩ ±5% 1/8W		Rg111	PD14BY2B223JKW	Carbon 22kΩ ±5% 1/8W	
Rg28	PD14BY2B101JKW	Carbon 100Ω ±5% 1/8W		Rg112	PD14BY2B562JKW	Carbon 5.6kΩ ±5% 1/8W	
Rg29	PD14BY2B103JKW	Carbon 10kΩ ±5% 1/8W		Rg113	PD14BY2B223JKW	Carbon 22kΩ ±5% 1/8W	
Rg30	PD14BY2B222JKW	Carbon 2.2kΩ ±5% 1/8W		Rg114	PD14BY2B562JKW	Carbon 5.6kΩ ±5% 1/8W	
Rg31	PD14BY2B101JKW	Carbon 100Ω ±5% 1/8W		Rg115	PD14BY2B223JKW	Carbon 22kΩ ±5% 1/8W	
Rg32	PD14BY2B103JKW	Carbon 10kΩ ±5% 1/8W		Rg116	PD14BY2B102JKW	Carbon 1kΩ ±5% 1/8W	
Rg33	PD14BY2B123JKW	Carbon 12kΩ ±5% 1/8W		Rg117,118	PD14BY2B104JKW	Carbon 100kΩ ±5% 1/8W	
Rg34	PD14BY2B102JKW	Carbon 1kΩ ±5% 1/8W		Rg119,120	PD14BY2B332JKW	Carbon 3.3kΩ ±5% 1/8W	
Rg35	PD14BY2B332JKW	Carbon 3.3kΩ ±5% 1/8W		Rg121,122	PD14BY2B222JKW	Carbon 2.2kΩ ±5% 1/8W	
Rg36	PD14BY2B101JKW	Carbon 100Ω ±5% 1/8W		Rg123,124	PD14BY2E332JKW	Carbon 3.3kΩ ±5% 1/4W	
Rg37	PD14BY2B822JKW	Carbon 8.2kΩ ±5% 1/8W		Rg125,126	RN14BK2E303KFMA	Metal film 30kΩ ±1% 1/4W	
Rg38	PD14BY2B563JKW	Carbon 56kΩ ±5% 1/8W		Rg127,128	PD14BY2E563JKW	Carbon 56kΩ ±5% 1/4W	
Rg39	PD14BY2B331JKW	Carbon 330Ω ±5% 1/8W		Rg129,130	PD14BY2E272JKW	Carbon 2.7kΩ ±5% 1/4W	
Rg40	PD14BY2B222JKW	Carbon 2.2kΩ ±5% 1/8W		Rg131~134	PD14BY2E124JKW	Carbon 120kΩ ±5% 1/4W	
Rg41	PD14BY2B101JKW	Carbon 100Ω ±5% 1/8W		Rg135,136	PD14BY2E102JKW	Carbon 1kΩ ±5% 1/4W	
Rg42	PD14BY2B562JKW	Carbon 5.6kΩ ±5% 1/8W		Rg137,138	PD14BY2E104JKW	Carbon 100kΩ ±5% 1/4W	
Rg43	PD14BY2B103JKW	Carbon 10kΩ ±5% 1/8W		Rg139~142	PD14BY2E222JKW	Carbon 2.2kΩ ±5% 1/4W	
Rg44	PD14BY2B563JKW	Carbon 56kΩ ±5% 1/8W		Rg144,145	PD14BY2B104JKW	Carbon 100kΩ ±5% 1/8W	
Rg45	PD14BY2B104JKW	Carbon 100kΩ ±5% 1/8W		Rg146	PD14BY2B392JKW	Carbon 3.9kΩ ±5% 1/8W	
Rg46	PD14BY2B101JKW	Carbon 100Ω ±5% 1/8W		Rg147	PD14BY2B104JKW	Carbon 100kΩ ±5% 1/8W	
Rg47	PD14BY2B103JKW	Carbon 10kΩ ±5% 1/8W		Rg148,149	PD14BY2B563JKW	Carbon 56kΩ ±5% 1/8W	
Rg48	PD14BY2B224JKW	Carbon 220kΩ ±5% 1/8W		Rg150~153	PD14BY2E824JKW	Carbon 820kΩ ±5% 1/4W	
Rg49	PD14BY2E824JKW	Carbon 820kΩ ±5% 1/8W		Rg154	PD14BY2B332JKW	Carbon 3.3kΩ ±5% 1/8W	
Rg50	R92-0161-05	Carbon 3.9kΩ ±5% 1/8W		Rg155	PD14BY2B223JKW	Carbon 22kΩ ±5% 1/8W	
Rg51	PD14BY2B223JKW	Carbon 22kΩ ±5% 1/8W		Rg156	PD14BY2B473JKW	Carbon 47kΩ ±5% 1/8W	
Rg52	PD14BY2B103JKW	Carbon 10kΩ ±5% 1/8W		Rg157	PD14BY2B682JKW	Carbon 6.8kΩ ±5% 1/8W	
Rg53	PD14BY2B123JKW	Carbon 12kΩ ±5% 1/8W		Rg158,159	PD14BY2B102JKW	Carbon 1kΩ ±5% 1/8W	
Rg54	PD14BY2B823JKW	Carbon 82kΩ ±5% 1/8W		Rg160,161	PD14BY2B223JKW	Carbon 22kΩ ±5% 1/8W	
				Rg162	PD14BY2B103JKW	Carbon 10kΩ ±5% 1/8W	
				Rg165	PD14BY2B101JKW	Carbon 100Ω ±5% 1/8W	

PARTS LIST

Ref. No.	Parts No.	Description	Re- marks
Rg166	PD14BY2B682JKW	Carbon 6.8kΩ ±5% 1/8W	
Rg167,168	PD14BY2B102JKW	Carbon 1kΩ ±5% 1/8W	
Rg169,170	PD14BY2B562JKW	Carbon 5.6kΩ ±5% 1/8W	
Rg171	PD14BY2B103JKW	Carbon 10kΩ ±5% 1/8W	
Rg173	PD14BY2B561JKW	Carbon 560Ω ±5% 1/8W	
Rg174	PD14BY2B223JKW	Carbon 22kΩ ±5% 1/8W	
Rg175	PD14BY2B102JKW	Carbon 1kΩ ±5% 1/8W	
Rg176,177	PD14BY2B122JKW	Carbon 1.2kΩ ±5% 1/8W	
Rg178	PD14BY2B101JKW	Carbon 100Ω ±5% 1/8W	
Rg179	PD14BY2B102JKW	Carbon 1kΩ ±5% 1/8W	
Rg180,181	PD14BY2B122JKW	Carbon 1.2kΩ ±5% 1/8W	
Rg182	PD14BY2B101JKW	Carbon 100Ω ±5% 1/8W	
Rg183	PD14BY2B102JKW	Carbon 1kΩ ±5% 1/8W	
Rg184	PD14BY2B104JKW	Carbon 100kΩ ±5% 1/8W	
Rg185	PD14BY2B561JKW	Carbon 560Ω ±5% 1/8W	
Rg186	PD14BY2B223JKW	Carbon 22kΩ ±5% 1/8W	
Rg187	PD14BY2B561JKW	Carbon 560Ω ±5% 1/8W	
Rg188	PD14BY2B31JKW	Carbon 330Ω ±5% 1/8W	
Rg189	PD14BY2B393JKW	Carbon 39kΩ ±5% 1/8W	
Rg190	PD14BY2B154JKW	Carbon 150kΩ ±5% 1/8W	
Rg191	PD14BY2B223JKW	Carbon 22kΩ ±5% 1/8W	
Rg192	PD14BY2B101JKW	Carbon 100Ω ±5% 1/8W	
Rg193	PD14BY2B563JKW	Carbon 56kΩ ±5% 1/8W	
Rg194	PD14BY2B153JKW	Carbon 15kΩ ±5% 1/8W	
Rg195	PD14BY2B102JKW	Carbon 1kΩ ±5% 1/8W	
Rg196,197	PD14BY2B104JKW	Carbon 100kΩ ±5% 1/8W	
SEMICONDUCTOR			
Qg1,2	V09-0071-05	FET 2SK55 (D)	
Qg5~7	V03-0098-05	Transistor 2SC535 (B)	
Qg8,9	V01-0084-05	Transistor 2SA733 (P) or (Q)	
Qg10~14	V03-0405-05	Transistor 2SC945 (P) or (Q)	
Qg15~17	V03-0309-05	Transistor 2SC1345 (D) or (E)	
Qg18,19	V03-0405-05	Transistor 2SC945 (P) or (Q)	
Qg20,21	V09-0092-05	FET 2SK68 (L) or (M)	
Qg22	V03-0271-05	Transistor 2SC1345 (E)	
Qg23	V09-0092-05	FET 2SK68 (L) or (M)	
Qg24	V03-0271-05	Transistor 2SC1345 (E)	
Qg25	V09-0092-05	FET 2SK68 (L) or (M)	
Qg26	V03-0271-05	Transistor 2SC1345 (E)	
Qg27	V09-0092-05	FET 2SK68 (L) or (M)	
Qg28	V03-0271-05	Transistor 2SC1345 (E)	
Qg29,30	V03-0309-05	Transistor 2SC1345 (D) or (E)	
Qg31,32	V03-0405-05	Transistor 2SC945 (P) or (Q)	
Qg33	V01-0084-05	Transistor 2SA733 (P) or (Q)	
Qg35,36	V03-0098-05	Transistor 2SC535 (B)	
Qg38	V03-0405-05	Transistor 2SC945 (P) or (Q)	
Qg39	V03-0309-05	Transistor 2SC1345 (D) or (E)	
ICg1~7	V30-0087-05	IC TA7060P	
ICg8	V30-0177-05	IC μPC577H (E) or (F)	
ICg9	V30-0087-05	IC TA7060P	
ICg10	V30-0088-05	IC RC4558T	
ICg11	V30-0091-05	IC RC4558TA	
ICg12	V30-0099-05	IC HA1156W	
ICg13	V30-0091-05	IC RC4558TA	
ICg14	V30-0088-05	IC RC4558T	
Dg1~5	V11-0051-05	Diode 1N60	
Dg6	V11-0076-05	Diode 1S1555 or 1S2076	
Dg7~11	V11-0051-05	Diode 1N60	
Dg12,13 15~18	V11-0076-05	Diode 1S1555 or 1S2076	
Dg19,20	V11-0051-05	Diode 1N60	
Dg21~23	V11-0076-05	Diode 1S1555 or 1S2076	
POTENTIOMETER			
VRg1	R12-1029-05	PC trimmer 1kΩ	
VRg2,3	R12-5025-05	PC trimmer 100kΩ	
VRg4	R12-0058-05	PC trimmer 470Ω	
VRg5,6	R12-3041-05	PC trimmer 10kΩ	
VRg7	R12-2020-05	PC trimmer 6.8kΩ	
VRg8	R12-3041-05	PC trimmer 10kΩ	
VRg9	R12-1029-05	PC trimmer 1kΩ	
VRg10	R12-3042-05	PC trimmer 47kΩ	
VRg11	R06-2008-05	PC trimmer 5kΩ (B) x 2	☆
VRg12	R12-5025-05	PC trimmer 100kΩ	
SWITCH / RELAY			
S1,3	S42-2013-05	Pushbutton switch	☆
S2	S29-1092-05	Slide rotary switch IF BAND, METER	☆
S4	S29-1083-05	Slide rotary switch MUTING	
RLg2	S51-2033-05	Slide rotary switch SELECTOR	
		Reed relay	
COIL / INDUCTOR / FILTER			
Lg1	L40-2291-41	Ferri-inductor	
Lg2,3	L40-2201-03	Ferri-inductor	
Lg4 ~6	L30-0247-05	FM IF coil	
Lg7,8	L40-2291-41	Ferri-inductor	
Lg9	L40-2201-03	Ferri-inductor	
Lg11	L30-0274-05	FM IF coil	
Lg12	L40-2201-03	Ferri-inductor	
FLg1,2	L79-0032-05	FM IF LC filter	☆
FLg3~5	L72-0040-05	Ceramic filter	☆
FLg6	L79-0033-05	Low pass filter	
MISCELLANEOUS			
-	E31-0027-05	Connector (CN2)	☆
-	E31-0028-05	Connector (CN1)	☆
-	E31-0029-05	Connector (CN3)	☆
-	J32-0232-04	Hexagonal boss x 4	☆
-	W02-0005-05	FM detector unit	☆

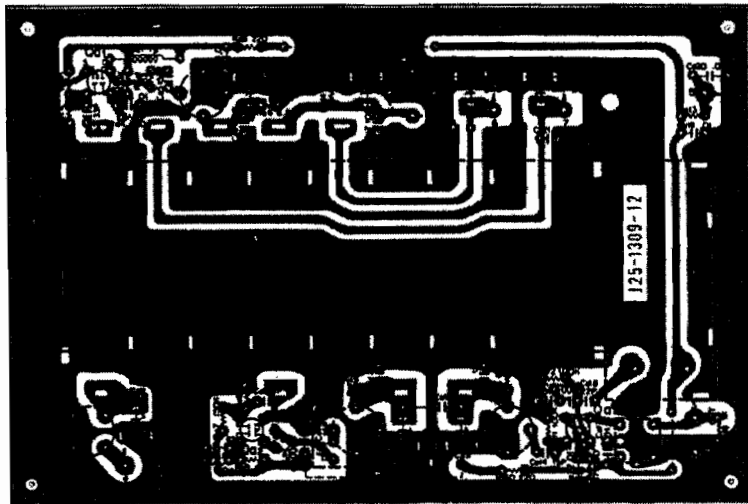
PC BOARD

▶ POWER SUPPLY
(X00-1760-11)



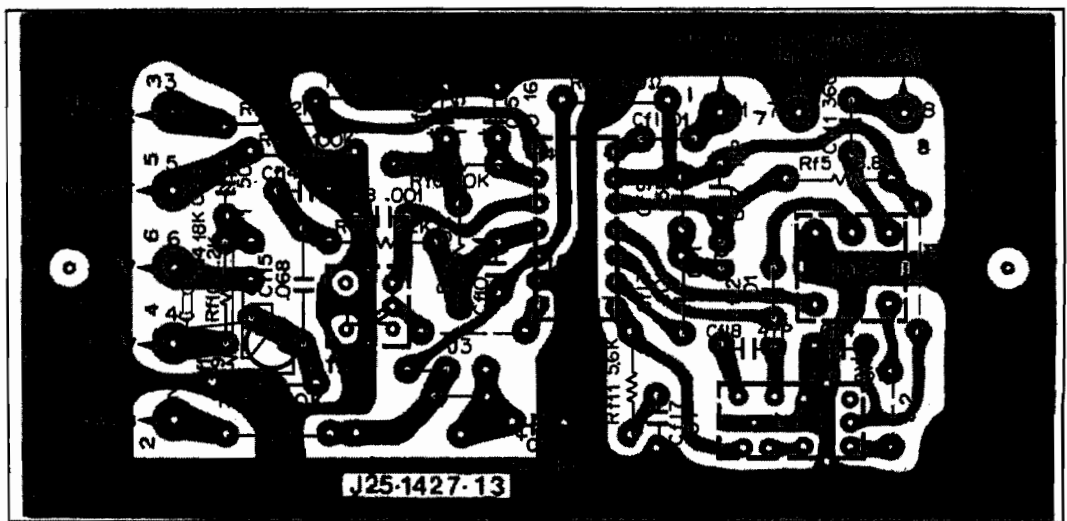
Qk1:2SC1419 (C), Qk2:2SA755 (C), Dk1:S1RB10, Qk3:2SC945 (Q) or (R)
Dk2,3:W0-6B, Dk4:1S2076, DZk1, 2:YZ-140

▶ FM FRONT-END
(X01-1220-10)



Qa1, 2:SD306, Qa3:3SK49 (R)

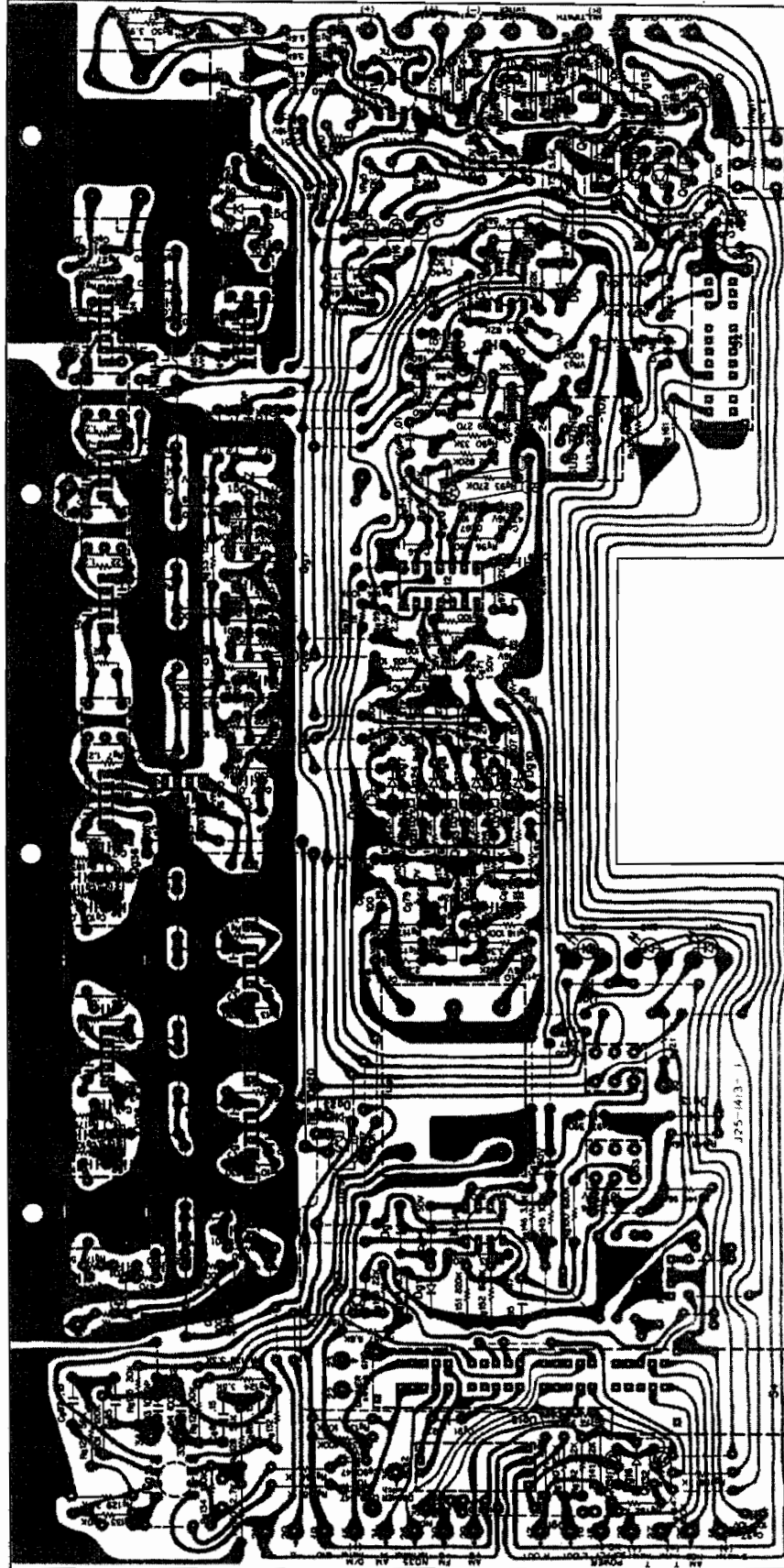
▶ AM TUNER
(X03-1020-10)



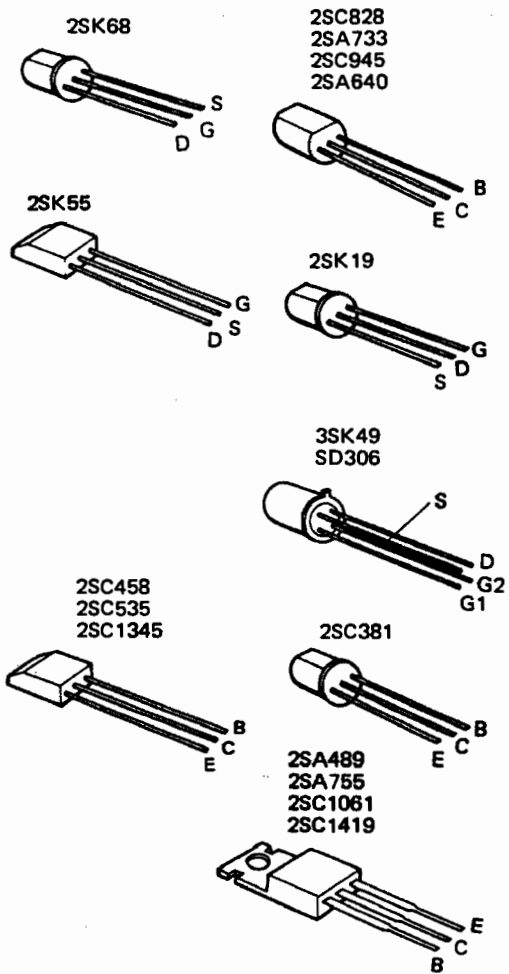
Qf2:2SC945 (Q), ICf1:HA1151, Df1:1S1555

PC BOARD

▶ FM TUNER
(X05-1350-10)

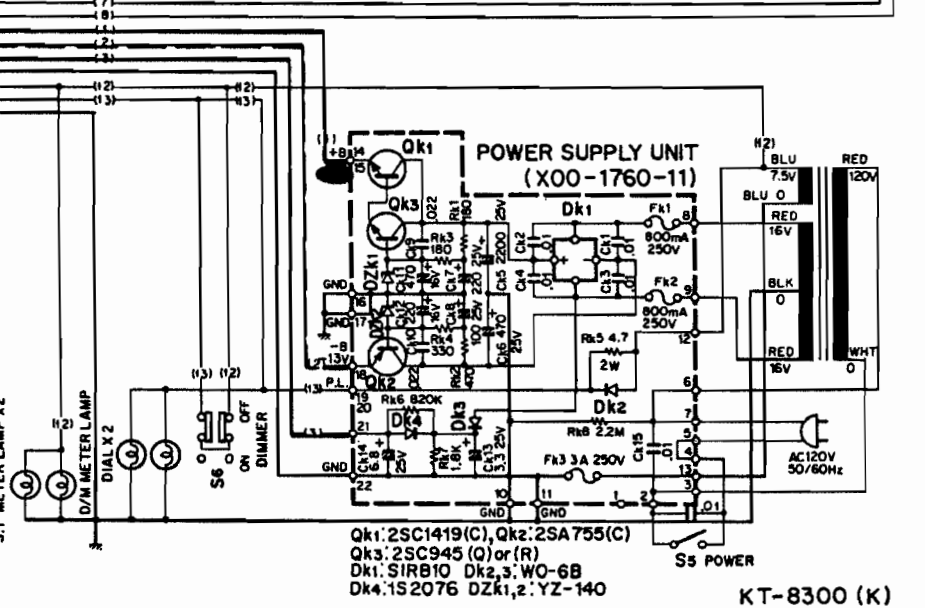
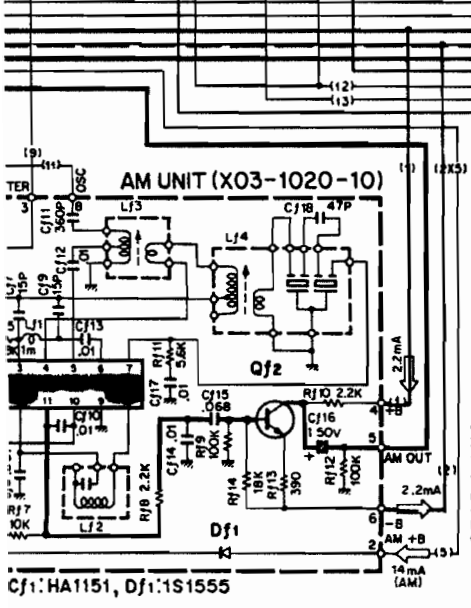
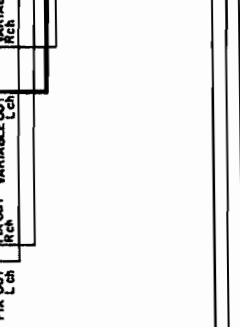
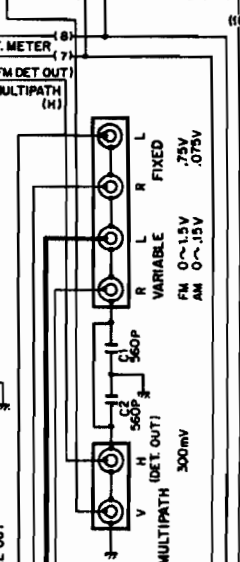
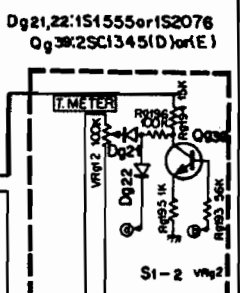
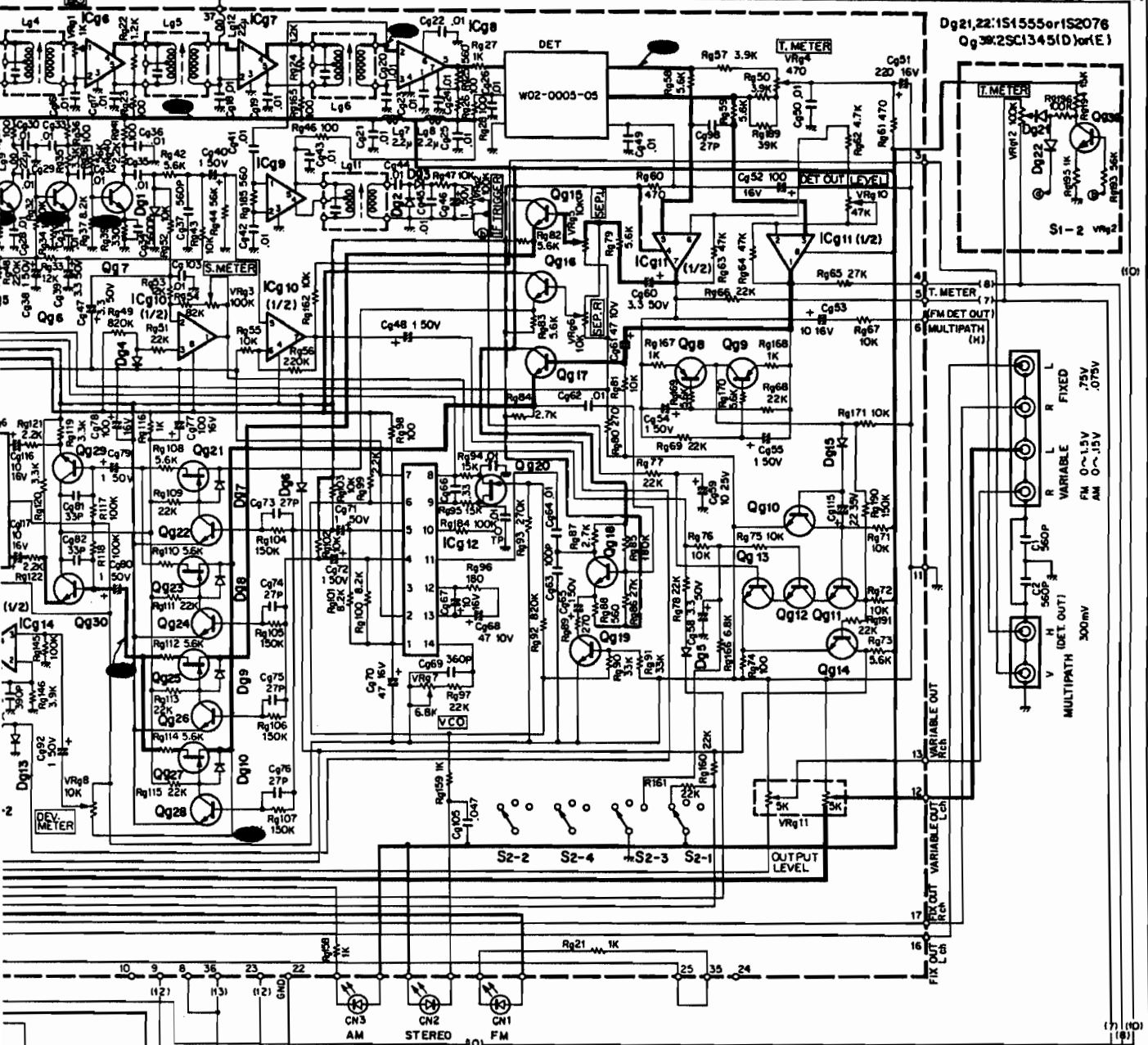


Qg1, 2:2SK55 (D), Qg10~14, 18, 19, 31, 32, 38:2SC945 (P) or (O), Qg5~7, 35, 36:2SC535 (B), Qg8, 9, 33:2SA733 (P) or (O), Qg15~17, 29, 30:
2SC1345 (D) or (E), Qg20, 21, 23, 25, 27:2SK68 (L) or (M), Qg22, 24, 26, 28:2SC1345 (E), ICg1~7, 9:TA7060P, ICg8:μPC577H (E) or (F),
ICg10, 14:RC4558T, ICg11, 13:RC4558A, ICg12:HA1156W, Dg1~5, 7~11:1N60, Dg6, 12, 13, 15~18, 23:1S1555 or 1S2076



Semiconductor name	Semiconductor substitutions
POWER SUPPLY (X00-1760-11)	
2SA755	2SA489
2SC945 (Q) or (R)	2SC1345
2SC1419 (C)	2SC1061
RF UNIT (X01-1220-10)	
SD306	-
3SK49 (R)	-
AM UNIT (X03-1020-10)	
2SC945 (Q)	2SC1345
HA1151	-
IF MPX AUDIO UNIT (X05-1350-10)	
2SA733 (P) or (Q)	2SA640
2SC535 (B)	2SC381
2SC945 (P) or (Q)	2SC828
	2SC1345
2SC1345 (E)	2SC1000
2SK55	2SK19
2SK68 (L) or (M)	2SK30
HA1156W	-
RC4558TA	-
TA7060P	-
μPC577H (E) or (F)	-

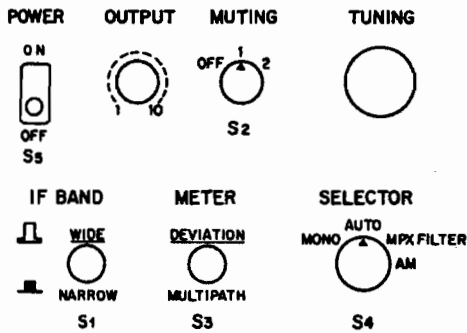
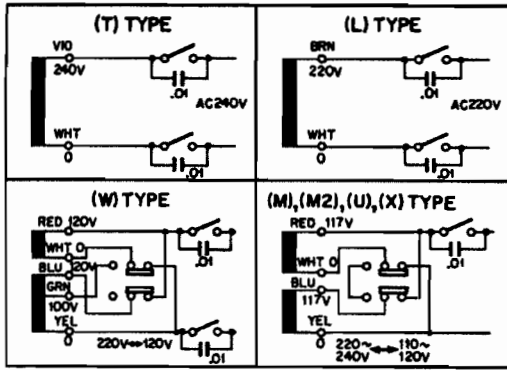
SUB-TUNER (X13-2320-10)



Cf1: HA1151, Df1: 1S1555

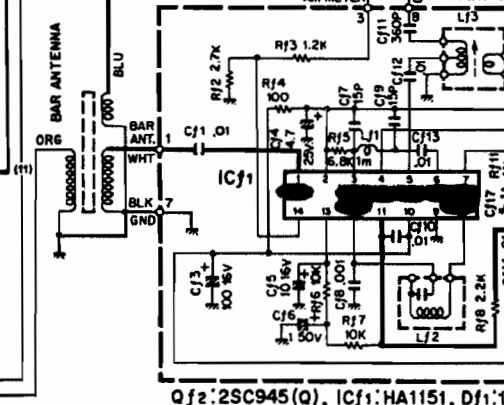
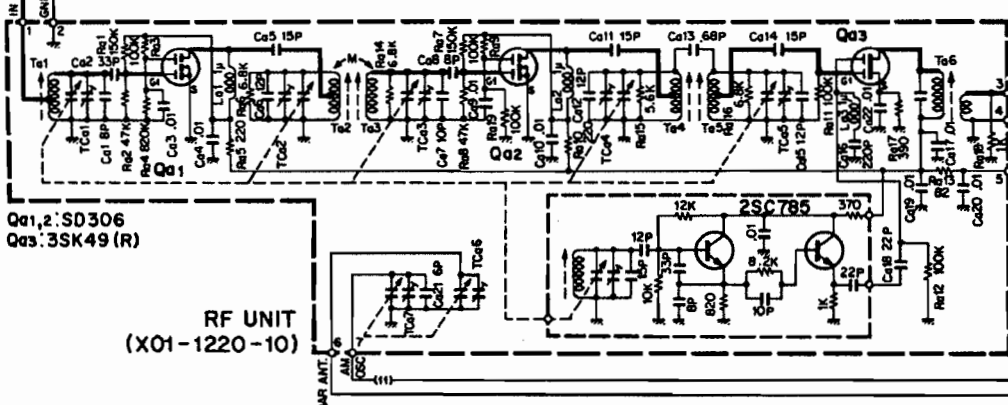
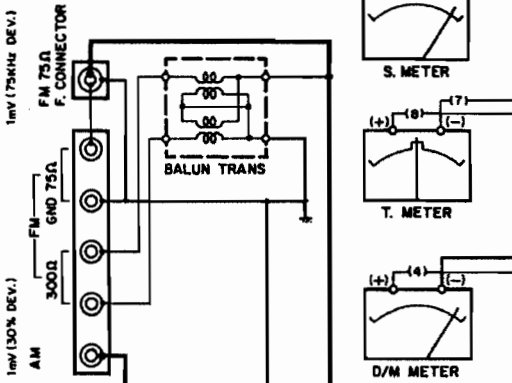
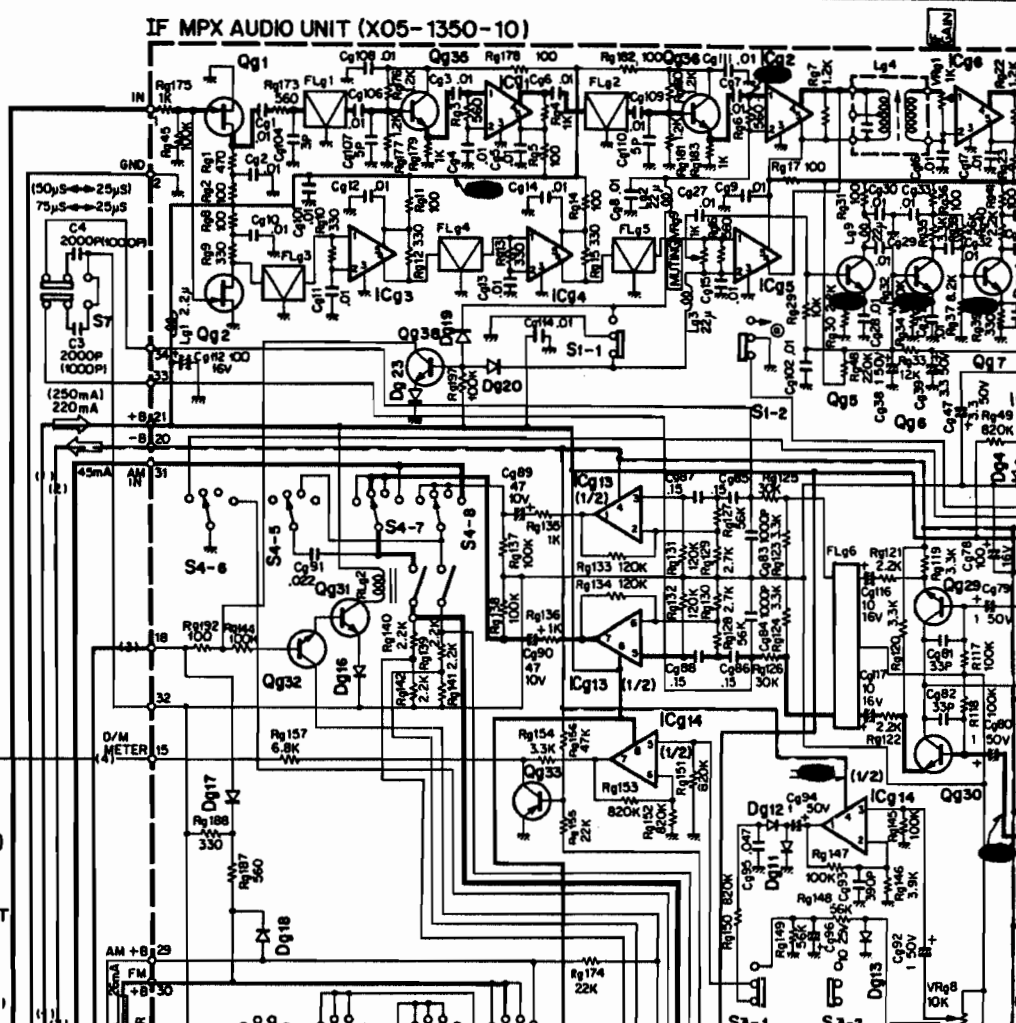
Qk1: 2SC1419(C), Qk2: 2SA755(C)
 Qk3: 2SC945 (Q) or (R)
 Dk1: 1SR10 Dk2,3: WO-6B
 Dk4: 1S2076 DZk1,2: YZ-140

KT-8300 (K)



Qg1,2: 2SK55 (D), Qg10~14, 18, 19, 31, 32, 38: 2SC945 (P) or (Q)
 Qg5~7, 35, 36: 2SC535 (B), Qg8, 9, 33: 2SA733 (P) or (Q)
 Qg15~17, 29, 30: 2SC1345 (D) or (E), Qg20, 21, 23, 25, 27: 2SK68 (L)
 or (M), Qg22, 24, 26, 28: 2SC1345 (E), Dg19, 20: 1N60
 Dg1~5, 7~11: 1N60, Dg6: 2J3, 15~18, 23: 1S1555 or 1S2076
 ICg1~7, 9: TA7060P, ICg8: μ PC577H (E) or (F), ICg10, 14: RC4558T
 ICg11, 13: RC4558TA, ICg12: HA1156W

IF MPX AUDIO UNIT (X05-1350-10)



Qa1: 2SD306
 Qa2: 3SK49 (R)

Qf2: 2SC945 (Q), ICf1: HA1151, Df1: 1S2076

SPECIFICATIONS/TROUBLESHOOTING

SPECIFICATIONS

FM TUNER SECTION

Usable Sensitivity	1.6 μ V	
50 dB Quieting Sensitivity	2.8 μ V (Mono),	30 μ V (Stereo)
Signal to Noise Ratio	78 dB (Mono),	75 dB (Stereo)
Muting Threshold		
Muting 1	7 μ V	
Muting 2	30 μ V	

T.H. Distortion

		Mono	Stereo
Wide	1,000Hz	0.08%	0.1%
	50~10,000Hz	0.1%	0.15%
	15,000Hz	0.15%	0.4%
Narrow	1,000Hz	0.15%	0.4%

Frequency Response	20 Hz to 15,000 Hz, +0.2 dB, -1.5 dB
Capture Ratio	1.0 dB (Wide), 1.5 dB (Narrow)
Alternate Channel Selectivity	40 dB (Wide), 110 dB (Narrow)
Spurious Response Ratio	110 dB
Image Response Ratio	110 dB
IF Response Ratio	110 dB
AM Suppression Ratio	60 dB

Stereo Separation

	1,000 Hz	50~10,000 Hz
Wide	50 dB	45 dB
Narrow	45 dB	35 dB

Subcarrier Product Ratio	70 dB
SCA Rejection Ratio	75 dB
Antenna Impedance	300 ohms balanced & 75 ohms unbalanced
FM Frequency Range	88 MHz to 108 MHz 88.5 MHz to 108 MHz (FTZ approved)

AM TUNER SECTION

Usable Sensitivity (IHF)	18 μ V
Signal to Noise Ratio	50 dB
Image Rejection	60 dB
Selectivity (IHF)	35 dB

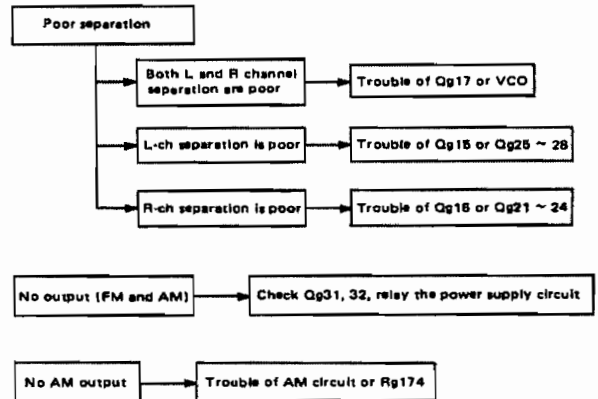
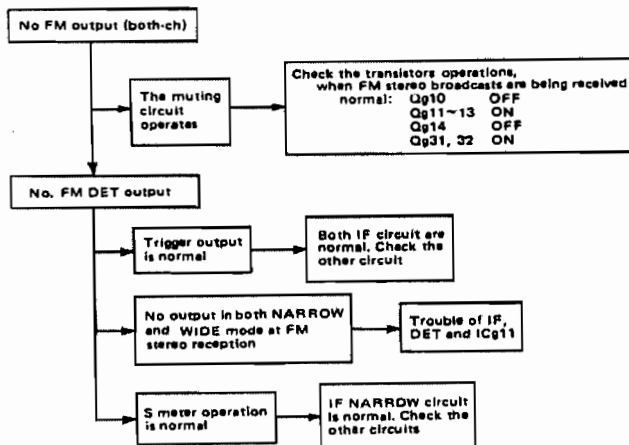
OUTPUT LEVEL

FM (400 Hz, 100% Mod.)	Variable	0~1.5V	1.2 k ohms
	Fixed	0.75V	1.0 k ohms
AM (400 Hz, 30% Mod.)	Variable	0~0.15V	1.2 k ohms
	Fixed	0.075V	1.0 k ohms
Multipath Output	V: 0.1V	H: 0.3V	

GENERAL

Power Requirement	50/60 Hz 110~120V, 220~240V
Power Consumption	22 watts
Dimensions	W 16-15/16" (430mm)
	H 5-7/8" (149mm)
	D 14-13/16" (376mm)
Weight	18.7 lbs. (8.5 kg)

TROUBLESHOOTING



KENWOOD ELECTRONICS, INC.

- 15777 SOUTH BROADWAY, GARDENA, CALIFORNIA 90248 U.S.A.
- 72-02 51ST AVENUE, WOODSIDE, N.Y. 11377 U.S.A.

TRIO-KENWOOD ELECTRONICS, N.V.

- HARENSESTEENWEG, 484. 1800 VILVOORDE, BELGIUM.

TRIO-KENWOOD ELECTRONICS, GmbH.

- 6056 HEUSENSTAMM, RUDOLF-BRAAS-STR. 20, WEST GERMANY

TRIO-KENWOOD CORPORATION

- 3-6-17 AOBADAI, MEGURO-KU, TOKYO, JAPAN.