

Figure 11 DC Amplifier and FM Audio Amplifier Assembly P700 Component Locations

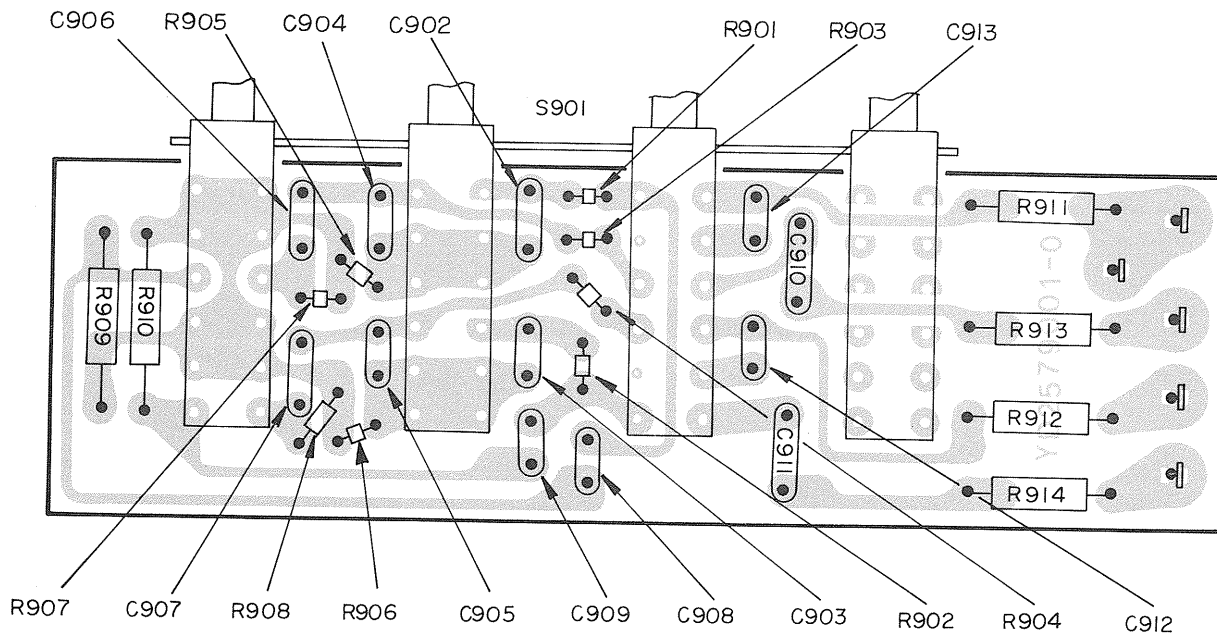


Figure 12 Loudness, Low Filter, Hi Filter and Monitor Switch Assembly P900 Component Locations

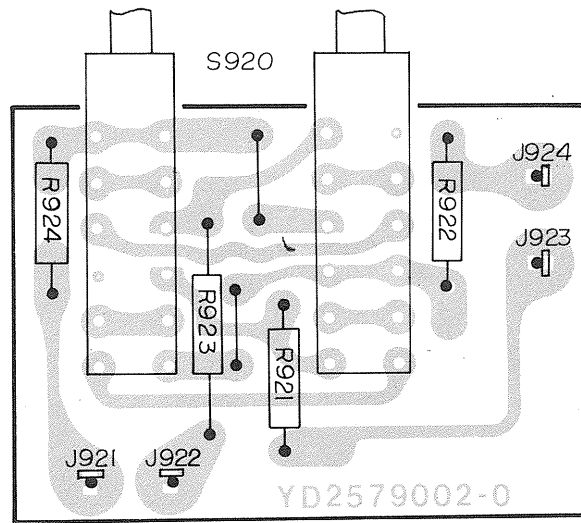


Figure 13 Mono in L, R, Switches Unit Assembly P920

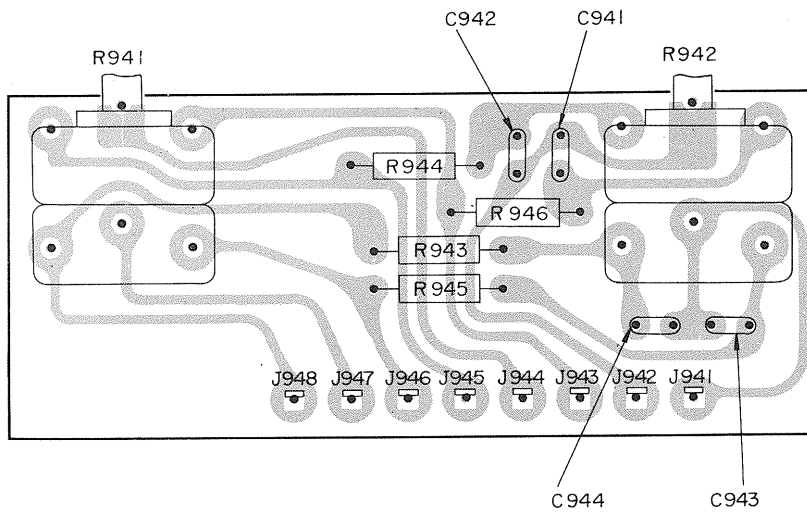


Figure 14 Tone Control Unit Assembly P940 Component Locations

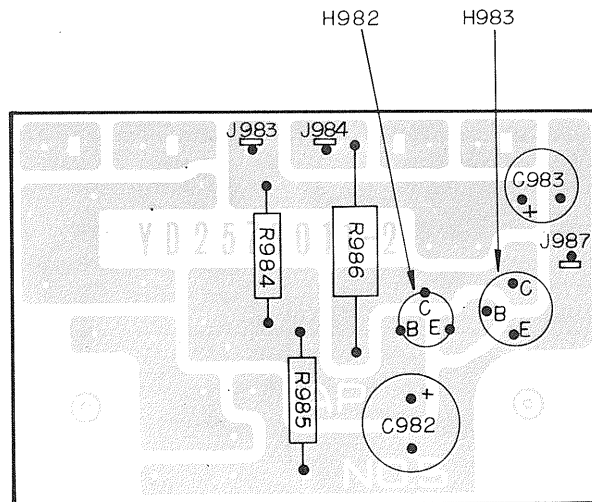


Figure 15 Speaker Protector Circuit Assembly P980 Component Locations

PARTS LIST

REF. DESIG.	MARANTZ PART NO.	DESCRIPTION	REF. DESIG.	MARANTZ PART NO.	DESCRIPTION	REF. DESIG.	MARANTZ PART NO.	DESCRIPTION
A001	257906301-2	Escutcheon	B001	258025702-2	Lid	B069	257905501-0	Collar
A002	258025701-3	Lid	B003	258010550-3	Main Chassis K	B071	257805501-0	Collar
A003	257928501-0	Indicator	B004	258010501-3	Main Chassis	B072	257805501-0	Collar
A004	257810301-2	Painter	B005	257816001-2	Bracket	B073	257805501-0	Collar
A005	257918001-3	Painter	B006	257816001-2	Bracket	B074	257805501-0	Collar
A008	2577727301-0	Fly Wheel	B007	257816002-0	Bracket	B081	257810950-0	Shield K
A009	2577706302-2	Escutcheon	B008	257816002-0	Bracket	B082	257810901-0	Shield
A010	2577706303-2	Escutcheon	B009	257816002-0	Bracket	B083	257810102-0	Support
A011	257806701-0	Selector Knob Cap	B010	257816002-0	Bracket	B084	257810102-0	Support
A013	257806701-0	Balance Knob Cap	B011	258016902-2	Bracket	B085	257810102-0	Support
A014	257806701-0	Volume Knob Cap	B012	258016902-2	Bracket	B086	257810102-0	Support
A017	257806702-0	Bass Knob Cap	B013	258016902-2	Bracket	B088	257810902-0	Shield
A018	257806702-0	Treble Knob Cap	B014	258016902-2	Bracket	B089	71400149Q-0	Spring
A021	257806703-0	Bass Knob Cap	B015	257810101-0	Support	B090	71400149Q-0	Spring
A022	257806703-0	Treble Knob Cap	B016	257810101-0	Support	B096	257710101-0	Support
A026	257706702-2	Mono in L Cap	B017	257810101-0	Support	B098	257710101-0	Support
A027	257706702-2	Mono in R Cap	B018	257810101-0	Support	B099	258010902-0	Shield
A028	257706702-2	Tape Mon. Cap	B020	257816052-2	Am Antenna Bracket K	B094	258016052-0	Bracket K
A029	257706702-2	Loudness Cap	B021	257816006-2	Bracket	B095	257816004-2	Bracket
A030	257706702-2	Low Filter Cap	B022	550203041-0	S H Rivet	B096	257811201-0	Shaft
A031	257706702-2	Hi Filter Cap	B023	550203041-0	S H Rivet	B097	257710101-0	Support
A032	257706702-2	Hi Band Cap	B024	550203041-0	S H Rivet	B098	257710101-0	Support
A033	257706702-2	Mating Off Cap	B025	258010901-0	Shield	B099	257710101-0	Support
A034	257706702-2	Power Cap	B026	258010901-0	Shield	B100	257816010-0	Bracket
A501	258040101-2	Frame	B027	258016003-0	P.C. Board Bracket	B101	257816011-0	Bracket
A502	258030201-0	Dial	B028	258016003-0	Bracket	B102	257816012-2	Bracket
A503	258010701-3	Sheet	B029	258016003-0	Bracket	B103	257816012-2	Bracket
A504	257706301-2	Cover	B030	257810907-2	Shield	B106	257810105-0	Support
A506	257815401-0	Selector Knob	B031	258016051-2	Pulley Bracket K	B107	257810105-0	Support
A507	257815401-0	Balance Knob	B032	258016004-2	Bracket	B108	257810105-0	Support
A508	257815401-0	Volume Knob	B033	257711202-0	Shaft	B110	120225801-0	Hook
A511	257815402-0	Bass Knob	B034	257711202-0	Shaft	B111	71101233M-0	Spring
A512	257815402-0	Treble Knob	B035	257810906-0	Shield	B113	71400219Q-0	Spring
A514	257815403-0	Bass Knob	B041	257816054-0	Pulley Spring Bracket K	B115	257825902-0	Bush
A515	257815403-0	Treble Knob	B042	257816008-0	Bracket	B121	257716017-0	Bracket
A518	257815404-0	Antenna Tuning Knob	B043	259716004-0	Bracket	B124	257905502-0	Collar
A521	257715402-0	Mono in L Knob	B044	259711201-0	Shaft	B125	257905502-0	Collar
A522	257715402-0	Mono in R Knob	B045	139611201-0	Shaft	B127	257816015-2	Bracket
A523	257715402-0	Tape Mon. Knob	B048	258005150-0	Painter Guide K	B128	257916002-0	Bracket
A524	257715402-0	Loudness Knob	B049	258005101-0	Guide	B131	124705850-0	Gear K
A525	257715402-0	Low Filter Knob	B050	254811201-0	Shaft	B132	124705801-0	Gear
A526	257715402-0	Hi Filter Knob	B053	257810650-1	Retainer K	B133	124705802-0	Gear
A527	257715402-0	Hi Band Knob	B054	257810401-0	Retainer	B134	121811202-0	Shaft
A528	257715402-0	Mating Off Knob	B055	257710601-0	Bearing	B135	71101559M-0	Spring
A529	257715402-0	Power Knob	B057	258005501-0	Cover	B136	124705850-0	Gear K
B533	257812001-0	Head Phones Insulator	B059	257811202-2	Shaft	B137	124705801-0	Gear
B534	257812001-0	Head Phones Insulator	B060	532928059P-0	Nut	B138	124705802-0	Gear
B535	257812001-0	Head Phones Insulator	B061	52222059B-0	Nut	B139	121811202-0	Gear
B062	257810104-0	Support	B064	257810104-0	Support	B140	71101839M-0	Spring
B066	257810104-0	Support	B065	257810104-0	Support	B141	1382200503-0	Clamper
B067	257810104-0	Support	B066	257810104-0	Support	B142	138200503-0	Clamper
B071	257805501-0	Collar	B067	257810104-0	Support	B143	138200503-0	Clamper
B072	257805501-0	Collar	B068	257810104-0	Support	B144	138200503-0	Clamper
B073	257805501-0	Collar	B069	257810104-0	Support	B145	138200503-0	Clamper
B074	257805501-0	Collar	B070	257810104-0	Support	B146	138200503-0	Clamper
B075	257805501-0	Collar	B071	257810104-0	Support	B147	138200503-0	Clamper
B081	257810950-0	Shield K	B072	257810104-0	Support	B148	138200503-0	Clamper
B082	257810901-0	Shield	B073	257810104-0	Support	B149	138200503-0	Clamper
B083	257810102-0	Support	B074	257810104-0	Support	B150	138200503-0	Clamper
B084	257810102-0	Support	B075	257810104-0	Support	B151	138200503-0	Clamper
B085	257810102-0	Support	B076	257810104-0	Support	B152	138200503-0	Clamper
B086	257810102-0	Support	B077	257810104-0	Support	B153	138200503-0	Clamper
B088	257810902-0	Shield	B078	257810104-0	Support	B154	138200503-0	Clamper
B089	71400149Q-0	Spring	B079	257810104-0	Support	B501	250605701-0	Leg
B090	71400149Q-0	Spring	B080	257810104-0	Support	B502	250605701-0	Leg
B096	257811201-0	Shaft	B081	257810104-0	Support	B503	250605701-0	Leg
B097	257710101-0	Support	B082	257810104-0	Support	B504	250605701-0	Leg
B098	257710101-0	Support	B083	257810104-0	Support	B507	257726201-0	Pulley
B099	258010902-0	Shield	B084	257810104-0	Support	B508	257726201-0	Pulley
B094	258016052-0	Bracket K	B085	257810104-0	Support	B509	257726201-0	Pulley
B095	257816004-2	Bracket	B086	257810104-0	Support	B510	257726201-0	Pulley
B096	257811201-0	Shaft	B088	257810902-0	Shield	B511	257726201-0	Pulley
B097	257710101-0	Support	B089	71400149Q-0	Spring	B514	257710602-0	Bearing
B098	257710101-0	Support	B090	71400149Q-0	Spring	B515	141511801-0	Spacer
B099	258010902-0	Shield	B096	257811201-0	Shaft	B518	145252901-0	Bush
B094	258016052-0	Bracket K	B097	257710101-0	Support	B519	145252901-0	Bush
B095	257816004-2	Bracket	B098	257710101-0	Support	B522	72081604A-0	Spring
B096	257811201-0	Shaft	B099	258010902-0	Shield	B526	149325902-0	Bush
B097	257710101-0	Support	B099	258010902-0	Shield	B527	149325902-0	Bush
B098	257710101-0	Support	B100	257816010-0	Bracket	B528	149325902-0	Bush
B099	258010902-0	Shield	B101	257816011-0	Bracket	B531	257911801-0	Spacer
B094	258016052-0	Bracket K	B102	257816011-0	Bracket	B532	257911801-0	Spacer
B095	257816004-2	Bracket	B103	257816012-2	Bracket	B533	257711803-0	Spacer
B096	257811201-0	Shaft	B106	257810105-0	Support	B534	257711803-0	Spacer
B097	257710101-0	Support	B107	257810105-0	Support	B535	257711803-0	Spacer
B098	257710101-0	Support	B108	257810105-0	Support	B543	258015801-0	Drum
B099	258010902-0	Shield	B110	120225801-0	Hook	B545	257905302-0	Cover
B094	258016052-0	Bracket K	B111	71101233M-0	Spring	B547	257912001-0	Insulator
B095	257816004-2	Bracket	B113	71400219Q-0	Spring	B548	257912002-0	Insulator
B096	257811201-0	Shaft	B115	257825902-0	Bush	B550	257805303-0	Cover
B097	257710101-0	Support	B121	257716017-0	Bracket	B551	138612002-0	Insulator
B098	257710101-0	Support	B124	257905502-0	Collar	B552	257805601-0	Buffer
B099	258010902-0	Shield	B125	257905502-0	Collar	B553	257805601-0	Buffer
B094	258016052-0	Bracket K	B127	257816015-2	Bracket	D001	51870306B-0	P Tapl. Screw
B095	257816004-2	Bracket	B128	257916002-0	Bracket	D002	51870306B-0	P Tapl. Screw
B096	257811201-0	Shaft	B131	124705850-0	Gear K	D003	51870306B-0	P Tapl. Screw
B097	257710101-0	Support	B132	124705801-0	Gear	D004	51870306B-0	P Tapl. Screw
B098	257710101-0	Support	B133	124705802-0	Gear	D005	51870306B-0	P Tapl. Screw
B099	258010902-0	Shield	B134	121811202-0	Shaft	D006	51870306B-0	P Tapl. Screw
B094	258016052-0	Bracket K	B135	71101559M-0	Spring	D007	51870306B-0	P Tapl. Screw
B095	257816004-2	Bracket	B136	124705850-0	Gear K	D008	51870306B-0	P Tapl. Screw
B096	257811201-0	Shaft	B137	124705801-0	Gear	D009	51870306B-0	P Tapl. Screw
B097	257710101-0	Support	B138	124705802-0	Gear	D010	51870306B-0	P Tapl. Screw
B098	257710101-0	Support	B139	121811202-0	Gear	D011	51870306B-0	P Tapl. Screw
B099	258010902-0	Shield	B140	71101839M-0	Spring			
B094	258016052-0	Bracket K	B141	1382200503-0	Clamper			
B095	257816004-2	Bracket						
B096	257811201-0	Shaft						
B097	257710101-0	Support						
B098	257710101-0	Support						
B099	258010902-0	Shield						
B094	258016052-0	Bracket K						
B095	257816004-2	Bracket						
B096	257811201-0	Shaft						
B097	257710101-0	Support						
B098	257710101-0	Support						

REF. DESIG.	MARRANTZ PART NO.	DESCRIPTION	REF. DESIG.	MARRANTZ PART NO.	DESCRIPTION
D373	53110303E-9	Hexagon Nut			
D376	53112603E-0	Hexagon Nut			
D377	53112603E-0	Hexagon Nut			
D378	53112603E-0	Hexagon Nut			
D379	53112603E-0	Hexagon Nut			
D380	53112603E-0	Hexagon Nut			
D381	53112603E-0	Hexagon Nut			
D382	54052600R-0	T L Washer OR			
D383	54052600R-0	T L Washer OR			
D384	54052600R-0	T L Washer OR			
D385	54052600R-0	T L Washer OR			
D386	54050300R-0	T L Washer OR			
D387	54050300R-0	T L Washer OR			
D388	54052600R-0	T L Washer OR			
D389	54052600R-0	T L Washer OR			
D390	54052600R-0	T L Washer OR			
D393	54050300R-0	T L Washer OR			
D394	54050300R-0	T L Washer OR			
D395	54050300R-0	T L Washer OR			

REF. DESIG.	MARRANTZ PART NO.	DESCRIPTION	REF. DESIG.	MARRANTZ PART NO.	DESCRIPTION
P100	YD2578001-0	PC Board			
R101	RC1010412-0	100K ohm ±10% 1/2W Carbon Film			
R102	RC1010512-0	1M ohm ±10% 1/2W Carbon Film			
R103	RC1022112-0	220 ohm ±10% 1/2W Carbon Film			
R104	RC1027212-0	2.7K ohm ±10% 1/2W Carbon Film			
R105	RC1018312-0	18K ohm ±10% 1/2W Carbon Film			
R106	RC1010212-0	1K ohm ±10% 1/2W Carbon Film			
R107	RC1012212-0	1.2K ohm ±10% 1/2W Carbon Film			
R108	RC1047212-0	4.7K ohm ±10% 1/2W Carbon Film			
R109	RC1010212-0	1K ohm ±10% 1/2W Carbon Film			
R110	RC1022212-0	22K ohm ±10% 1/2W Carbon Film			
R111	RC1022212-0	22K ohm ±10% 1/2W Carbon Film			
C101	CA4000001-0	FM 4 Gang Variable with Trimmer			
C104	CT1100002-0	2.8PF ±12.8PF Trimmer			
C105	DD1615001-0	15PF ±10% Ceramic			
C106	DK1710201-0	0.001uF ±20% Ceramic			
C107	CK1710201-0	0.001uF ±20% Ceramic			
C108	DD1001001-0	1.0PF±0.25PF Ceramic			
C109	DD1615001-0	15PF ±10% Ceramic			
C110	CT1100002-0	2.8PF ±12.8PF Trimmer			
C111	DK1710201-0	0.001uF ±20% Ceramic			
C112	CT1100002-0	2.8PF ±12.8PF Trimmer			
C113	DD1620001-0	20PF ±10% Ceramic			
C114	DK1710201-0	0.01uF ±20% Ceramic			
C115	DK1710201-0	0.001uF ±20% Ceramic			
C116	DD1615003-0	15PF ±10% Ceramic			
C117	DD1105002-0	52PF ±0.5PF Ceramic			
C118	DD1615004-0	15PF ±10% Ceramic			
C119	CT1100002-0	2.8PF ±12.8PF Trimmer			
C120	DK1615201-0	0.0015uF ±10% Ceramic			
C121	DK1710201-0	0.001uF ±20% Ceramic			
C122	DK1710301-0	0.01uF ±20% Ceramic			
C123	DK1710301-0	0.01uF ±20% Ceramic			
C124	DD1210001-0	10PF ±1PF Ceramic			
C125	DK1710301-0	0.01uF ±20% Ceramic			
C126	DC1103002-2	3PF ±0.5PF Feed Through			
C127	DC1810201-0	0.001uF ±100, -0% Feed Through			
C128	DK1710201-0	0.001uF ±20% Ceramic			
C129	DD1001001-0	1PF ±0.25PF Ceramic			
C130	DK1710301-0	0.01uF ±20% Ceramic			
L101	LA1004620-0	Antenna Coil			
L102	LA1004616-0	RF Coil			
L103	LA1004619-0	RF Coil			
L104	LO10004604-0	OSC Coil			
L105	L11401619-0	IPT			
L106	LC1302001-0	Choke Coil			
L107	LC1302001-0	Choke Coil			
L108	LC1302001-0	Choke Coil			
T101	257810903-0	Shield			
T102	257810904-0	Shield			
T103	257810905-0	Shield			
H101	HP2000191A-0	28K19Y Transistor			
H102	HP2000191B-0	28K19GN Transistor			
H103	HT308291B-0	28C292R Transistor			
H104	HD1000105-0	1N-60 Diode			
H105	HD1000105-0	1N-60 Diode			
P200	YD2578002-0	PC Board			
R201	RT1056214-0	56K ohm ±10% 1/4W Carbon Film			
R202	RT1015414-0	150K ohm ±10% 1/4W Carbon Film			
R203	RT1012214-0	1.2K ohm ±10% 1/4W Carbon Film			
R204	RT1022114-0	220 ohm ±10% 1/4W Carbon Film			
R205	RT1082314-0	82K ohm ±10% 1/4W Carbon Film			
R206	RT1033214-0	33K ohm ±10% 1/4W Carbon Film			
R207	RT1033214-0	33K ohm ±10% 1/4W Carbon Film			
R208	RT1012214-0	1.2K ohm ±10% 1/4W Carbon Film			
R209	RT1033214-0	33K ohm ±10% 1/4W Carbon Film			
R210	RT1012214-0	1.2K ohm ±10% 1/4W Carbon Film			
C201	DK1710301-0	0.01uF ±20% Ceramic			
C202	DK1710301-0	0.01uF ±20% Ceramic			
C203	DD1615001-0	15PF ±10% Ceramic			
C204	DK1840301-0	0.04uF ±100, -0% Ceramic			
C205	DK1840301-0	0.04uF ±100, -0% Ceramic			
C206	DK1710301-0	0.01uF ±20% Ceramic			
C207	DK1710301-0	0.01uF ±20% Ceramic			
C208	DD1620001-0	20PF ±10% Ceramic			
C209	DP6530150-0	380PF ±5% Poly			
C210	DK1840301-0	0.04uF ±100, -0% Ceramic			
C211	EA1060162-0	10uF 16V Elect.			
L201	LA1001014-0	RF Coil			
L202	LO1001035-0	OSC Coil			
L203	LH1401001-0	IPT			
H201	HT303711B-0	Transistor			
H202	HT303711A-0	Transistor			
H203	HD1000105-0	Diode			
J201	YP1000036-0	Plug			
J202	YP1000036-0	Plug			
J203	YP1000036-0	Plug			
J204	YP1000036-0	Plug			
J205	YP1000036-0	Plug			
J206	YP1000036-0	Plug			
J207	YP1000036-0	Plug			
J208	YP1000036-0	Plug			
P500	YD2578005-0	PC Board			
R501	RT1022214-0	2.2K ohm ±10% 1/4W Carbon Film			
R502	RT1032114-0	330 ohm ±10% 1/4W Carbon Film			
R503	RT1033114-0	330 ohm ±10% 1/4W Carbon Film			

REF. DESIG.	MARANTZ PART NO.	DESCRIPTION
R504	RT1027114-0	270 ohm ±10% 1/4W Carbon Film
R505	RT1033114-0	330 ohm ±10% 1/4W Carbon Film
R506	RT1033114-0	330 ohm ±10% 1/4W Carbon Film
R507	RT1027114-0	270 ohm ±10% 1/4W Carbon Film
R508	RT1027214-0	2.7K ohm ±10% 1/4W Carbon Film
R509	RT1010114-0	100 ohm ±10% 1/4W Carbon Film
R510	RT1082114-0	820 ohm ±10% 1/4W Carbon Film
R511	RT1082114-0	820 ohm ±10% 1/4W Carbon Film
R512	RT1033214-0	3.3K ohm ±10% 1/4W Carbon Film
R513	RT1033214-0	3.3K ohm ±10% 1/4W Carbon Film
R514	RT1033414-0	330K ohm ±10% 1/4W Carbon Film
R515	RN1010514-0	1M ohm ±10% 1/4W Carbon Film
R516	RT1039214-0	3.9K ohm ±10% 1/4W Carbon Film
R517	RT1056214-0	5.6K ohm ±10% 1/4W Carbon Film
R518	RT1010414-0	100K ohm ±10% 1/4W Carbon Film
R520	RT1047214-0	4.7K ohm ±10% 1/4W Carbon Film
R521	RT1022214-0	2.2K ohm ±10% 1/4W Carbon Film
R522	RT1068214-0	6.8K ohm ±10% 1/4W Carbon Film
R523	RT1068214-0	6.8K ohm ±10% 1/4W Carbon Film
R524	RT1015314-0	15K ohm ±10% 1/4W Carbon Film
R525	RT1015314-0	15K ohm ±10% 1/4W Carbon Film
R526	RT1056214-0	5.6K ohm ±10% 1/4W Carbon Film
R527	RT1056214-0	5.6K ohm ±10% 1/4W Carbon Film
R528	RT1022314-0	22K ohm ±10% 1/4W Carbon Film
R529	RT1033214-0	3.3K ohm ±10% 1/4W Carbon Film
R530	RT1010314-0	10K ohm ±10% 1/4W Carbon Film
R531	RT1082114-0	820 ohm ±10% 1/4W Carbon Film
R532	RT1022114-0	220 ohm ±10% 1/4W Carbon Film
R533	RT1010314-0	10K ohm ±10% 1/4W Carbon Film
R534	RT1012314-0	12K ohm ±10% 1/4W Carbon Film
R535	RT1082114-0	820 ohm ±10% 1/4W Carbon Film
R536	RT1022114-0	220 ohm ±10% 1/4W Carbon Film
R537	RT1022014-0	22 ohm ±10% 1/4W Carbon Film
R538	RT1022014-0	22 ohm ±10% 1/4W Carbon Film
R539	RT1015314-0	15K ohm ±10% 1/4W Carbon Film
R540	RT1010414-0	100K ohm ±10% 1/4W Carbon Film
R541	RT1022414-0	220K ohm ±10% 1/4W Carbon Film
R542	RT1033414-0	330K ohm ±10% 1/4W Carbon Film
R543	RT1010414-0	100K ohm ±10% 1/4W Carbon Film
R544	RT1022214-0	2.2K ohm ±10% 1/4W Carbon Film
R545	RT1015414-0	150K ohm ±10% 1/4W Carbon Film
R546	RT1056214-0	5.6K ohm ±10% 1/4W Carbon Film
R547	RT1010214-0	1K ohm ±10% 1/4W Carbon Film
R548	RT1012214-0	1.2K ohm ±10% 1/4W Carbon Film
R549	RT1027314-0	27K ohm ±10% 1/4W Carbon Film
R550	RT1010314-0	10K ohm ±10% 1/4W Carbon Film
R551	RT1010214-0	1K ohm ±10% 1/4W Carbon Film
R552	RT1022114-0	220 ohm ±10% 1/4W Carbon Film
R553	RT1027314-0	27K ohm ±10% 1/4W Carbon Film
R554	RT1056214-0	5.6K ohm ±10% 1/4W Carbon Film
R555	RT1033214-0	3.3K ohm ±10% 1/4W Carbon Film
R556	RT1033214-0	3.3K ohm ±10% 1/4W Carbon Film
R558	RT1022414-0	220K ohm ±10% 1/4W Carbon Film

REF. DESIG.	MARANTZ PART NO.	DESCRIPTION
R560	RT1022314-0	22K ohm ±10% 1/4W Carbon Film
R561	RT1047414-0	470K ohm ±10% 1/4W Carbon Film
R562	RT1015314-0	15K ohm ±10% 1/4W Carbon Film
R563	RT1015214-0	1.5K ohm ±10% 1/4W Carbon Film
R564	RT1010114-0	100 ohm ±10% 1/4W Carbon Film
R565	RC1022312-0	22K ohm ±10% 1/2W Solid
R566	RT1010414-0	100K ohm ±10% 1/4W Carbon Film
R567	RT1082114-0	820 ohm ±10% 1/4W Carbon Film
R568	RC1010112-0	100 ohm ±10% 1/2W Solid
C501	DK1710301-0	0.01uF ±20% Ceramic
C502	DK1710301-0	0.01uF ±20% Ceramic
C503	DK1710301-0	0.01uF ±20% Ceramic
C504	DK1710301-0	0.01uF ±20% Ceramic
C505	DK1710301-0	0.01uF ±20% Ceramic
C506	DK1710301-0	0.01uF ±20% Ceramic
C507	DK1710301-0	0.01uF ±20% Ceramic
C508	DK1710301-0	0.01uF ±20% Ceramic
C510	DK1710301-0	0.01uF ±20% Ceramic
C511	DD1105001-0	5PF ±0.5PF Ceramic
C512	DK1710301-0	0.01uF ±20% Ceramic
C513	DK1710301-0	0.01uF ±20% Ceramic
C514	DK1710301-0	0.01uF ±20% Ceramic
C515	DK1710301-0	0.01uF ±20% Ceramic
C516	DK1710301-0	0.01uF ±20% Ceramic
C517	DK1710301-0	0.01uF ±20% Ceramic
C518	DD1620101-0	200PF ±10% Ceramic
C519	EA4750162-0	4.7uF 16V Elect.
C520	EA1060162-0	10uF 16V Elect.
C521	DD1620101-0	200PF ±10% Ceramic
C522	DD1620101-0	200PF ±10% Ceramic
C523	DD1650101-0	500PF ±10% Ceramic
C524	ED4750102-0	4.7uF 10V Elect.
C525	DF1747301-0	0.047uF ±20% Mylar
C526	DF5547201-0	0.0047uF ±5% Mylar
C527	DF5547201-0	0.0047uF ±5% Mylar
C528	DF5412201-0	0.0012uF ±2% Mylar
C529	ED3350163-0	3.3uF 16V Elect.
C530	DF1633201-0	0.0033uF ±10% Mylar
C531	DF1633201-0	0.0033uF ±10% Mylar
C532	DK1710301-0	0.01uF ±20% Ceramic
C533	ED4750102-0	4.7uF 10V Elect.
C534	ED4750102-0	4.7uF 10V Elect.
C535	DF6582101-0	820PF ±5% Poly
C536	DF6582101-0	820PF ±5% Poly
C537	DF1633201-0	0.0033uF ±10% Mylar
C538	DF1633201-0	0.0033uF ±10% Mylar
C539	DF1633201-0	0.0033uF ±10% Mylar
C540	DF1633201-0	0.0033uF ±10% Mylar
C541	DF1668201-0	0.0068uF ±20% Mylar
C542	DF1668201-0	0.0068uF ±20% Mylar
C543	DK1710301-0	0.01uF ±20% Ceramic
C544	DK1710301-0	0.01uF ±20% Ceramic
C545	DK1710301-0	0.01uF ±20% Ceramic
C546	DK1710301-0	0.01uF ±20% Ceramic
C547	DK1710301-0	0.01uF ±20% Ceramic
C548	DD1620101-0	200PF ±10% Ceramic

REF. DESIG.	MARANTZ PART NO.	DESCRIPTION	REF. DESIG.	MARANTZ PART NO.	DESCRIPTION
C549	DK1710301-0	0.01uF ±20% Ceramic	H507	HT303801B-0	2SC380 0 Transistor
C551	EM2240251-0	0.2uF 25V Elect.	H508	HT3037210-0	2SC372 Transistor
C550	DK1710301-0	0.01uF ±20% Ceramic	H509	HT104951A-0	2SA495 Transistor
C552	DK1710301-0	0.01uF ±20% Ceramic	H510	HT303711B-0	2SC371 Transistor
C553	DK1840301-0	0.04uF +100, -0% Ceramic	H 511	HT303711A-0	2SC371 Transistor
C554	DK1710301-0	0.01uF ±20% Ceramic	H513	HD1000105-0	IN-60 Diode
C555	DK1710301-0	0.01uF ±20% Ceramic	H514	HD1000105-0	IN-60 Diode
C556	DK1840301-0	0.04uF +100, -0% Ceramic	H515	HD1000101-0	IN34A Diode
C557	EA4750161-0	4.7uF 16V Elect.	H516	HD1000101-0	IN34A Diode
C558	DK1840301-0	0.04uF +100, -0% Ceramic	H517	HD1000105-0	IN-60 Diode
C559	DK1840301-0	0.04uF +100, -0% Ceramic	H518	HD1000105-0	IN-60 Diode
C560	EA4750162-0	4.7uF 16V Elect.	H519	HD1000105-0	IN-60 Diode
C561	DK1840301-0	0.04uF +100, -0% Ceramic	H520	HD1000105-0	IN-60 Diode
C562	DD1530101-0	300PF ±5% Ceramic	H521	HD1000105-0	IN-60 Diode
C563	DK1750201-0	0.005uF ±20% Ceramic	J501	YP1000036-0	Plug
C564	DK1750201-0	0.005uF ±20% Ceramic	J502	YP1000036-0	Plug
C565	DK1840301-0	0.04uF +100, -0% Ceramic	J503	YP1000036-0	Plug
C566	DK1710201-0	0.001uF ±20% Ceramic	J504	YP1000036-0	Plug
C567	DF1747301-0	0.047uF ±20% Mylar	J505	YP1000036-0	Plug
C569	EA1060162-0	10uF 16V Elect.	J506	YP1000036-0	Plug
C570	ED1060102-0	10uF 10V Elect.	J507	YP1000036-0	Plug
C571	DK1840301-0	0.04uF +100, -0% Ceramic	J508	YP1000036-0	Plug
C574	DD1540001-0	40PF ±5% Ceramic	J509	YP1000036-0	Plug
C575	DD1650101-0	500PF ±10% Ceramic	J510	YP1000036-0	Plug
C576	EA2270164-0	220uF 16V Elect.	J511	YP1000036-0	Plug
C577	DK1710301-0	0.01uF ±20% Ceramic	J512	YP1000036-0	Plug
C578	DK1820301-0	0.02uF +100, -0% Ceramic	J513	YP1000036-0	Plug
C579	EA2270162-0	220uF 16V Elect.	J514	YP1000036-0	Plug
L502	LC1223001-0	22uH Coil	J515	YP1000036-0	Plug
L503	LC1223001-0	22uH Coil	J516	YP1000036-0	Plug
L504	LC1223001-0	22uH Coil	J517	YP1000036-0	Plug
L505	LC1223001-0	22uH Coil	J518	YP1000036-0	Plug
L506	LC1223001-0	22uH Coil	J519	YP1000036-0	Plug
L507	LI1401604-3	FM IFT (DET)	J520	YP1000036-0	Plug
L508	LI1015601-0	FM IFT (SUB)	J521	YP1000036-0	Plug
L509	LI1015602-0	FM IFT	J522	YP1000036-0	Plug
L510	LI1401004-0	AM IFT	J523	YP1000036-0	Plug
L511	LI1401005-0	AM IFT	J525	YP1000001-0	Plug
L512	LS1001001-0	19 KHz MPX Coil	J526	YP1000001-0	Plug
L513	LS1001001-0	19 KHz MPX Coil	J527	YP1000001-0	Plug
L514	LS1001001-0	38 KHz MPX Coil	J528	YP1000001-0	Plug
L515	LS1001006-0	38 KHz Trap MPX Coil	W501	YW2579002-2	Wire Materials
L516	LS1001006-0	38 KHz Trap MPX Coil	P700	YD2578004-0	PC Board
L517	LS1001006-0	19 KHz Trap MPX Coil	R701	RT1056314-0	56K ohm ±10% 1/4W Carbon Film
L518	LS1001006-0	19 KHz Trap MPX Coil	R702	RT1056214-0	5.6K ohm ±10% 1/4W Carbon Film
L519	LI1001616-0	FM IFT	R703	RT1022314-0	22K ohm ±10% 1/4W Carbon Film
F501	FF1107001-0	SFC 10.7 MA Ceramic	R704	RA0502006-0	5K ohm (B) Trimmer
F502	DD1107001-0	SFC 10.7 MA Ceramic	R705	RT1056214-0	5.6K ohm ±10% 1/4W Carbon Film
H501	HC1000111-0	uA703 IC	R706	RT1056314-0	56K ohm ±10% 1/4W Carbon Film
H502	HC1000114-0	cA3011 IC	R707	RT1022314-0	22K ohm ±10% 1/4W Carbon Film
H503	HC1000114-0	cA3011 IC	R708	RT1010314-0	10K ohm ±10% 1/4W Carbon Film
H504	HT306441B-0	2SC644 S Transistor	R709	RT1010314-0	10K ohm ±10% 1/4W Carbon Film
H505	HC1000117-0	MC1304P IC			
H506	HT303801B-0	2SC380 0 Transistor			

REF. MARANTZ DESIG. PART NO.	DESCRIPTION
R710	RT1022314-0 22K ohm $\pm 10\%$ 1/4W Carbon Film
R711	RN1047414-0 470K ohm $\pm 10\%$ 1/4W Carbon Film
R712	RN1047414-0 470K ohm $\pm 10\%$ 1/4W Carbon Film
R713	RN1015414-0 150K ohm $\pm 10\%$ 1/4W Carbon Film
R714	RN1015414-0 150K ohm $\pm 10\%$ 1/4W Carbon Film
R715	RN1022314-0 22K ohm $\pm 10\%$ 1/4W Carbon Film
R716	RN1022314-0 22K ohm $\pm 10\%$ 1/4W Carbon Film
R717	RT1056214-0 5.6K ohm $\pm 10\%$ 1/4W Carbon Film
R718	RT1056214-0 5.6K ohm $\pm 10\%$ 1/4W Carbon Film
R719	RT1010214-0 5.6K ohm $\pm 10\%$ 1/4W Carbon Film
R720	RT1010214-0 5.6K ohm $\pm 10\%$ 1/4W Carbon Film
R721	RT1015314-0 15K ohm $\pm 10\%$ 1/4W Carbon Film
R722	RT1015314-0 15K ohm $\pm 10\%$ 1/4W Carbon Film
R723	RT1039214-0 3.9K ohm $\pm 10\%$ 1/4W Carbon Film
R724	RT1068114-0 680 ohm $\pm 10\%$ 1/4W Carbon Film
R725	RT1022414-0 220K ohm $\pm 10\%$ 1/4W Carbon Film
R726	RT1022414-0 220K ohm $\pm 10\%$ 1/4W Carbon Film
C701	EN2240251-0 0.22uF $\pm 20\%$ 25V Elect.
C702	EV2240251-0 0.22uF $\pm 20\%$ 25V Elect.
C703	EA106035J-0 10uF 35V Elect.
C704	EA106035I-0 10uF 35V Elect.
C705	EA1070252-0 100uF 25V Elect.
C706	EM4740251-0 0.47uF $\pm 20\%$ 25V Elect.
C707	EM4740251-0 0.47uF $\pm 20\%$ 25V Elect.
H701	HT3037210-0 2SC372 Transistor
H702	HT3037210-0 2SC372 Transistor
H703	HT104951A-0 2SA495 R Transistor
H704	HT104951A-0 2SA495 R Transistor
H705	HT304580Z-0 Transistor
H706	HT304580Z-0 Transistor
H707	HT104941C-0 2SA494 Y Transistor
H708	HT104941C-0 2SA494 Y Transistor
H709	HD3001009-0 IS336 Diode
J701	YP1000036-0 Plug
J702	YP1000036-0 Plug
J703	YP1000036-0 Plug
J704	YP1000036-0 Plug
J705	YP1000036-0 Plug
J706	YP1000036-0 Plug
J707	YP1000036-0 Plug
J708	YP1000036-0 Plug
J709	YP1000036-0 Plug
J710	YP1000036-0 Plug
J711	YP1000036-0 Plug
J712	YP1000036-0 Plug
J713	YP1000036-0 Plug
P300	YD2577003-0 Phono Amp PC Board
R301	RN1047314-0 47K ohm $\pm 10\%$ 1/4W Carbon Film
R302	RN1047314-0 47K ohm $\pm 10\%$ 1/4W Carbon Film
R303	RT1039114-0 390 ohm $\pm 10\%$ 1/4W Carbon Film
R304	RT1039114-0 390 ohm $\pm 10\%$ 1/4W Carbon Film
R305	RN1033414-0 330K ohm $\pm 10\%$ 1/4W Carbon Film
R306	RN1033414-0 330K ohm $\pm 10\%$ 1/4W Carbon Film

REF. MARANTZ DESIG. PART NO.	DESCRIPTION
R307	GT0533112-0 330 ohm $\pm 5\%$ 1/2W Carbon Film
R308	GT0533112-0 330 ohm $\pm 5\%$ 1/2W Carbon Film
R309	GT0533412-0 330K ohm $\pm 5\%$ 1/2W Carbon Film
R310	GT0533412-0 330K ohm $\pm 5\%$ 1/2W Carbon Film
R311	GT0527312-0 27K ohm $\pm 5\%$ 1/2W Carbon Film
R312	GT0527312-0 27K ohm $\pm 5\%$ 1/2W Carbon Film
R313	RN1010414-0 100K ohm $\pm 10\%$ 1/4W Carbon Film
R314	RN1010414-0 100K ohm $\pm 10\%$ 1/4W Carbon Film
R315	RT1010314-0 10K ohm $\pm 10\%$ 1/4W Carbon Film
R316	HT1012314-0 12K ohm $\pm 10\%$ 1/4W Carbon Film
R317	HT1012314-0 12K ohm $\pm 10\%$ 1/4W Carbon Film
R318	RT1015214-0 1.5K ohm $\pm 10\%$ 1/4W Carbon Film
R319	RT1015214-0 1.5K ohm $\pm 10\%$ 1/4W Carbon Film
R320	RT1047114-0 470 ohm $\pm 10\%$ 1/4W Carbon Film
R321	RT1047114-0 470 ohm $\pm 10\%$ 1/4W Carbon Film
R322	RT1047014-0 47 ohm $\pm 10\%$ 1/4W Carbon Film
R323	RN1033414-0 330K ohm $\pm 10\%$ 1/4W Carbon Film
R324	RN1033414-0 330K ohm $\pm 10\%$ 1/4W Carbon Film
C301	EV2250251-0 2.2uF 25V +40 -20% Elect.
C302	EV2250251-0 2.2uF 25V +40 -20% Elect.
C303	EA2260351-0 22uF 35V +100, -0% Elect.
C304	DF6410301-0 0.01uF 50V $\pm 2\%$ Poly
C305	DF6410301-0 0.01uF 50V $\pm 2\%$ Poly
C308	EA1070061-0 100uF 6.3V +100, -0% Elect.
C309	EA1070061-0 100uF 6.3V +100, -0% Elect.
C310	EV1050251-0 1uF 25V +40 -20% Elect.
C311	EV1050251-0 1uF 25V +40 -20% Elect.
C312	EA1070351-0 100uF 35V Elect.
C306	DF6427201-0 0.0027uF 50V $\pm 2\%$ Poly
C307	DF6427201-0 0.0027uF 50V $\pm 2\%$ Poly
H301	HT306441C-0 2SC644(T) Transistor
H302	HT306441C-0 2SC644(T) Transistor
H303	HF200301C-0 2SK30(Y) Transistor
H304	HF200301C-0 2SK30(Y) Transistor
J301	YP1000036-0 Plug
J302	YP1000036-0 Plug
J303	YP1000036-0 Plug
J304	YP1000036-0 Plug
J305	YP1000036-0 Plug
J306	YP1000036-0 Plug
J307	YP1000036-0 Plug
P400	YD2577004-0 Tone Amp PC Board
R401	RT1039114-0 390 ohm $\pm 10\%$ 1/4W Carbon Film
R402	RT1039114-0 390 ohm $\pm 10\%$ 1/4W Carbon Film
R403	RN1047314-0 47K ohm $\pm 10\%$ 1/4W Carbon Film
R404	RN1047314-0 47K ohm $\pm 10\%$ 1/4W Carbon Film
R405	RN1056314-0 56K ohm $\pm 10\%$ 1/4W Carbon Film
R406	RN1056314-0 56K ohm $\pm 10\%$ 1/4W Carbon Film
R407	RT1068214-0 6.8K ohm $\pm 10\%$ 1/4W Carbon Film
R408	RT1068214-0 6.8K ohm $\pm 10\%$ 1/4W Carbon Film
R409	RN1022314-0 22K ohm $\pm 10\%$ 1/4W Carbon Film

REF. DESIG.	MARANTZ PART NO.	DESCRIPTION
R410	RN1022314-0	22K ohm ±10% 1/4W Carbon Film
R411	RT1027214-0	2.7K ohm ±10% 1/4W Carbon Film
R412	RT1027214-0	2.7K ohm ±10% 1/4W Carbon Film
R413	RT1010214-0	1K ohm ±10% 1/4W Carbon Film
R414	RT1010214-0	1K ohm ±10% 1/4W Carbon Film
R415	RN1015314-0	15K ohm ±10% 1/4W Carbon Film
R416	RN1015314-0	15K ohm ±10% 1/4W Carbon Film
R417	RN1010114-0	100 ohm ±10% 1/4W Carbon Film
R418	RN1056314-0	56K ohm ±10% 1/4W Carbon Film
R419	RN1056314-0	56K ohm ±10% 1/4W Carbon Film
R420	GT0522312-0	22K ohm ±5% 1/2W Carbon Film
R421	GT0522312-0	22K ohm ±5% 1/2W Carbon Film
R422	RN1022514-0	2.2M ohm ±10% 1/4W Carbon Film
R423	RN1022514-0	2.2M ohm ±10% 1/4W Carbon Film
R424	RN1068314-0	68K ohm ±10% 1/4W Carbon Film
R425	RN1068314-0	68K ohm ±10% 1/4W Carbon Film
R426	RT1010314-0	10K ohm ±10% 1/4W Carbon Film
R427	RT1010314-0	10K ohm ±10% 1/4W Carbon Film
R428	RT1010314-0	10K ohm ±10% 1/4W Carbon Film
R429	RT1010314-0	10K ohm ±10% 1/4W Carbon Film
R430	RT1022114-0	220 ohm ±10% 1/4W Carbon Film
R431	RT1022114-0	220 ohm ±10% 1/4W Carbon Film
R432	RN1010414-0	100K ohm ±10% 1/4W Carbon Film
R433	RN1010414-0	100K ohm ±10% 1/4W Carbon Film
C401	EV2240251-0	0.22uF 25V ±20% Elect.
C402	EV2240251-0	0.22uF 25V ±20% Elect.
C403	EA1060162-0	10uF 16V +100, -0% Elect.
C404	EA1060162-0	10uF 16V +100, -0% Elect.
C405	EA1060351-0	10uF 35V Elect.
C406	EA1060351-0	10uF 35V Elect.
C407	EV2250251-0	2.2uF 25V +40, -20% Elect.
C408	EV2250251-0	2.2uF 25V +40, -20% Elect.
C409	EA1070351-0	100uF 35V Elect.
C410	EV2250251-0	2.2uF 25V +40, -20% Elect.
C411	EV2250251-0	2.2uF 25V +40, -20% Elect.
C412	DF6545101-0	450PF ±5% Poly
C413	DF6545101-0	450PF ±5% Poly
C414	EV1050251-0	1uF 25V +40, -20% Elect.
C415	EV1050251-0	1uF 25V +40, -20% Elect.
H401	HT304580Z-0	2SC458(LG) (D) Transistor
H402	HT304580Z-0	2SC458(LG) (D) Transistor
H403	HT104941C-0	2SA494 (Y) Transistor
H404	HT104941C-0	2SA494 (Y) Transistor
H405	HT306441C-0	2SC644 (T) Transistor
H406	HT306441C-0	2SC644 (T) Transistor
H407	HT104941C-0	2SA494 (Y) Transistor
H408	HT104941C-0	2SA494 (Y) Transistor
J401	YP1000036-0	Plug
J402	YP1000036-0	Plug
J403	YP1000036-0	Plug
J404	YP1000036-0	Plug
J405	YP1000036-0	Plug
J406	YP1000036-0	Plug

REF. DESIG.	MARANTZ PART NO.	DESCRIPTION
J407	YP1000036-0	Plug
J408	YP1000036-0	Plug
J409	YP1000036-0	Plug
J410	YP1000036-0	Plug
J411	YP1000036-0	Plug
J412	YP1000036-0	Plug
J413	YP1000036-0	Plug
J414	YP1000036-0	Plug
J415	YP1000036-0	Plug
J416	YP1000036-0	Plug
J417	YP1000036-0	Plug
J418	YP1000036-0	Plug
J419	YP1000036-0	Plug
J420	YP1000036-0	Plug
W401	YW2579003-0	Wire Materials
P940	YD2578010-0	Tone-Control P.C. Board
R941	RD0104001-0	100K ohm B Treble Semi Fix
R942	RD0104001-0	100K ohm B Treble Semi Fix
R943	GT0516312-0	16K ohm ±5% 1/2W Carbon Film
R944	GT0516312-0	16K ohm ±5% 1/2W Carbon Film
R945	GT0516312-0	16K ohm ±5% 1/2W Carbon Film
R946	GT0516312-0	16K ohm ±5% 1/2W Carbon Film
C941	DF1622301-0	0.022uF ±10% Mylar
C942	DF1622301-0	0.022uF ±10% Mylar
C943	DF1622301-0	0.022uF ±10% Mylar
C944	DF1622301-0	0.022uF ±10% Mylar
J941	57219520W-0	Lug Eyelet
J942	57219520W-0	Lug Eyelet
J943	57219520W-0	Lug Eyelet
J944	57219520W-0	Lug Eyelet
J945	57219520W-0	Lug Eyelet
J946	57219520W-0	Lug Eyelet
J947	57219520W-0	Lug Eyelet
J948	57219520W-0	Lug Eyelet
P600	YD2580001-0	Main and Supply P.C. Board
R601	RN1068314-0	68K ohm ±10% 1/4W Carbon Film
R602	RN1068314-0	68K ohm ±10% 1/4W Carbon Film
R603	RN1068314-0	68K ohm ±10% 1/4W Carbon Film
R604	RN1068314-0	68K ohm ±10% 1/4W Carbon Film
R605	RT1027214-0	2.7K ohm ±10% 1/4W Carbon Film
R606	RT1027214-0	2.7K ohm ±10% 1/4W Carbon Film
R607	RN1056314-0	56K ohm ±10% 1/4W Carbon Film
R608	RN1056314-0	56K ohm ±10% 1/4W Carbon Film
R609	GT0510112-0	100 ohm ±5% 1/2W Carbon Film
R610	GT0510112-0	100 ohm ±5% 1/2W Carbon Film
R611	RT1068214-0	6.8K ohm ±10% 1/4W Carbon Film
R612	RT1068214-0	6.8K ohm ±10% 1/4W Carbon Film
R613	RT1047214-0	4.7K ohm ±10% 1/4W Carbon Film
R614	RT1010314-0	10K ohm ±10% 1/4W Carbon Film
R615	RT1010314-0	10K ohm ±10% 1/4W Carbon Film
R616	RN1018414-0	180K ohm ±10% 1/4W Carbon Film
R617	RN1018414-0	180K ohm ±10% 1/4W Carbon Film

REF. MARANTZ DESIG. PART NO.	DESCRIPTION
R620	GT0522112-0 220 ohm ±5% 1/2W Carbon Film
R621	GT0522112-0 220 ohm ±5% 1/2W Carbon Film
R622	RC1012212-0 1.2K ohm ±10% 1/2W Solid
R623	RC1012212-0 1.2K ohm ±10% 1/2W Solid
R624	RC1033212-0 3.3K ohm ±10% 1/2W Solid
R625	RC1033212-0 3.3K ohm ±10% 1/2W Solid
R626	RC1082112-0 820 ohm ±10% 1/2W Solid
R627	RC1082112-0 820 ohm ±10% 1/2W Solid
R628	RT1033114-0 330 ohm ±10% 1/4W Carbon Film
R629	RT1033114-0 330 ohm ±10% 1/4W Carbon Film
R630	RC1010112-0 100 ohm ±10% 1/2W Carbon Film
R631	RC1010112-0 100 ohm ±10% 1/2W Carbon Film
R632	RC1010112-0 100 ohm ±10% 1/2W Carbon Film
R633	RC1010112-0 100 ohm ±10% 1/2W Carbon Film

R634	RC1010212-0 1K ohm ±10% 1/2W Solid
R635	RC1050012-0 50 ohm ±10% 1/2W Solid
R636	RT1047214-0 4.7K ohm ±10% 1/4W Carbon Film
R637	RT1047214-0 4.7K ohm ±10% 1/4W Carbon Film
R639	RT1033214-0 3.3K ohm ±10% 1/4W Carbon Film
R640	RT1033214-0 3.3K ohm ±10% 1/4W Carbon Film

C601	EV2240251-0 0.22uF 25V ±20% Elect.
C602	EV2240251-0 0.22uF 25V ±20% Elect.
C603	EA2270252-0 220uF 25V Elect.
C604	ED1060102-0 10uF 10V Elect.
C605	ED1060102-0 10uF 10V Elect.
C606	EV1050251-0 1uF 25V Elect.
C607	EV1050251-0 1uF 25V Elect.
C608	DF3656001-0 56PF ±10% Mica
C609	DF3656001-0 56PF ±10% Mica
C610	EA3360252-0 33uF 25V Elect.
C611	EA3360252-0 33uF 25V Elect.
C612	DD1620101-0 200PF ±10% Ceramic
C613	DD1620101-0 200PF ±10% Ceramic
C614	EA2260351-0 22uF 35V Elect.
C615	EA2260351-0 22uF 35V Elect.
C616	DK1840301-0 .04uF +100, -0% Ceramic
C617	EA4770351-0 470uF 35V Elect.
C618	EA4770351-0 470uF 35V Elect.
C619	EC4770501-0 470uF 50V Elect.
C620	EA4770252-0 470uF 25V Elect.

C621	EA1070252-0 100uF 25V Elect.
C622	EA1070252-0 100uF 25V Elect.
C623	DK1810351-0 0.01uF 500V +100, -0% Ceramic
C624	DK1810351-0 0.01uF 500V +100, -0% Ceramic

H601	HT306441B-0 2SC644 (S) Transistor
H602	HT306441B-0 2SC644 (S) Transistor
H603	HT304580B-0 2SC458 LG(B) Transistor
H604	HT304580B-0 2SC458 LG(B) Transistor
H605	HT105611C-0 2SA561 Y Transistor
H606	HT105611C-0 2SA561 Y Transistor
H607	HT307341C-0 2SC734 Y Transistor
H608	HT307341C-0 2SC734 Y Transistor
H609	HV0000105-0 M8513 R Varistor
H610	HV0000105-0 M8513 R Varistor
H611	HD3000201-0 Zenner AW-01-30 Diode

REF. MARANTZ DESIG. PART NO.	DESCRIPTION
H612	HD2000301-0 AC Rect. HP-5A Diode
H613	HD2000301-0 AC Rect. HP-5A Diode
H614	HD2000301-0 AC Rect. HP-5A Diode
H615	HD2000301-0 AC Rect. HP-5A Diode
H616	HD2000301-0 AC Rect. HP-5A Diode
*H617	HT309714A-0 2SC971 Transistor

J601	YP1000036-0 Plug
J602	YP1000036-0 Plug
J603	YP1000036-0 Plug
J604	YP1000036-0 Plug
J605	YP1000036-0 Plug
J606	YP1000036-0 Plug
J607	YP1000036-0 Plug
J608	YP1000036-0 Plug
J609	YP1000036-0 Plug
J610	YP1000036-0 Plug
J611	YP1000036-0 Plug
J612	YP1000036-0 Plug
J613	YP1000036-0 Plug
J614	YP1000036-0 Plug

R001	RC1068012-0 68 ohm ±10% 1/2W Solid
R002	RC1068012-0 68 ohm ±10% 1/2W Solid
R003	RC1008212-0 8.2 ohm ±10% 1/2W Solid
R004	RK0104003-0 100K ohm (B) Variable
R005	RM0254008-0 250K ohm (MN) Variable
R006	RM0254009-0 250K ohm (A) Variable
R007	RC1039112-0 390 ohm ±10% 1/2W Solid
R008	RC1039112-0 390 ohm ±10% 1/2W Solid
R009	GS1015105-0 150 ohm ±10% 5W Wire Wound
R010	GS1010103-0 100 ohm ±10% 3W Wire Wound
R011	RC1056112-0 560 ohm ±10% 1/2W Solid

R015	RC1039112-0 390 ohm ±10% 1/2W Solid
R016	RC1027112-0 270 ohm ±10% 1/2W Solid
R017	RT1022501-0 2.2M ohm ±10% 1W Carbon Film
R020	GS1015105-0 150 ohm ±10% 5W Wire Wound
R021	RT1056314-0 56K ohm ±10% 1/4W Carbon Film
C016	DK1810402-0 0.1uF +100, -0% Ceramic

C001	DC1810201-0 0.001uF +100, -0% Feed thru
C002	DC1103002-2 3PF ±0.5PF Feed thru
C003	DD1105001-0 5PF ±0.5PF Ceramic
C004	DK1710301-0 0.01uF ±20% Ceramic
C005	ED3360061-0 33uF 6.3V Elect.
C006	DF5547201-0 0.0047uF ±5% Poly
C007	EA1070351-0 100uF 35V Elect.
C008	EC1080501-0 1000uF 50V Elect.
C009	ED4770351-0 470uF 35V Elect.
C010	CA0330001-0 AM 3 Gang Variable

C011	DO0747353-0 0.047uF (600V DC) Oil Paper
R022	RT1010414-0 100K ohm ±10% 1/4W Carbon Film

H001	HD3000101-0 AW-01-12 (12V) Diode
H002	HD3001009-0 IS336 (11V) Diode

S001	SR0606006-0 For Function Rotary Switch
*S002	SP0401007-0 For Ant. Tuning Push Switch

REF. DESIG.	MARANTZ PART NO.	DESCRIPTION	REF. DESIG.	MARANTZ PART NO.	DESCRIPTION
*S003	SP0402001-2	Push Switch	R903	GT0547212-0	4.7K ohm ±5% 1/2W Carbon Film
*S004	SP0401006-2	For AC Supply Push Switch	R904	GT0547212-0	4.7K ohm ±5% 1/2W Carbon Film
S005	SS0202017-0	Slide Switch	R905	GT0556312-0	56K ohm ±5% 1/2W Carbon Film
J001	YT0304003-0	4P for AM-FM Ant Terminal	R906	GT0556312-0	56K ohm ±5% 1/2W Carbon Film
J002	YT0202007-0	For Output 2P Terminal	R907	RN1010514-0	1M ohm ±10% 1/4W Carbon Film
J003	YJ0400032-0	For AC Supply Socket	R908	RN1010514-0	1M ohm ±10% 1/4W Carbon Film
J004	YT0210001-0	10P Terminal	R909	RN1022514-0	2.2M ohm ±10% 1/4W Carbon Film
J005	YJ0100055-0	For Headphone Jack	R910	RN1022514-0	2.2M ohm ±10% 1/4W Carbon Film
J006	YJ0100055-0	For Headphone Jack	R911	RT1010314-0	10K ohm ±10% 1/4W Carbon Film
J007	YJ0100055-0	For Headphone Jack	R912	RT1010314-0	10K ohm ±10% 1/4W Carbon Film
J008	YJ0400032-0	For AC Supply Socket	R913	RT1015414-0	150K ohm ±10% 1/4W Carbon Film
J009	YJ0400032-0	For AC Supply Socket	R914	RT1015414-0	150K ohm ±10% 1/4W Carbon Film
J010	YJ0200007-0	Socket	C902	DF1668301-0	0.068uF ±10% Mylar
J011	YJ0200007-0	Socket	C903	DF1668301-0	0.068uF ±10% Mylar
J012	YJ0200007-0	Socket	C904	DF1668301-0	0.068uF ±10% Mylar
J013	YJ0200007-0	Socket	C905	DF1668301-0	0.068uF ±10% Mylar
J014	YJ0200047-0	Dial Illumination Socket	C906	DF1633201-0	3300PF ±10% Mylar
J015	YJ0200048-0	Dial Illumination Socket	C907	DF1633201-0	3300PF ±10% Mylar
J016	YJ0200049-0	Dial Illumination Socket	C908	DF1633201-0	3300PF ±10% Mylar
J017	YJ0200050-0	Dial Illumination Socket	C909	DF1633201-0	3300PF ±10% Mylar
J018	YT0101003-0	For Ground Terminal	C910	DF3610101-0	100PF ±10% Mica
J020	YL0103003-0	3P Terminal	C911	DF3610101-0	100PF ±10% Mica
J021	YL0103002-0	3P Terminal	C912	DF1733301-0	0.033uF ±20% Mylar
J022	YL0105001-0	5P (UL) Terminal	C913	DF1733301-0	0.033uF ±20% Mylar
J023	YL0107001-0	7P Terminal	*S901	SP0404001-2	Push Switch
J024	YL0107001-0	7P Terminal	J901	YP1000036-0	Plug
J025	YL0107001-0	7P Terminal	J902	YP1000036-0	Plug
J026	YL0105004-0	5P Terminal	J903	YP1000036-0	Plug
J031	YL0103001-0	3P Terminal	J904	YP1000036-0	Plug
*M001	IM1103602-0	For AM-FM Tuning DC Meter	J905	YP1000036-0	Plug
*M002	IM1103603-0	For FM Tuning DC Meter	J906	YP1000036-0	Plug
*M003	IN1012004-0	MPX Lamp	P920	YD2579002-0	For Switch PC Board
*M004	IN1008001-0	Lamp	P900	YD2579002-0	For Switch PC Board
*M005	IN1008001-0	Lamp	R921	RT1010214-0	1K ohm ±10% 1/4W Carbon Film
*M006	IN1008001-0	Lamp	R922	RT1010214-0	1K ohm ±10% 1/4W Carbon Film
*M007	IN1006003-0	Lamp	R923	RT1010214-0	1K ohm ±10% 1/4W Carbon Film
*M008	IN1006003-0	Lamp	R924	RT1010214-0	1K ohm ±10% 1/4W Carbon Film
*M009	IN1006003-0	Lamp	*S921	SP0402001-2	Push Switch
*M010	IN1006003-0	Lamp	J921	YP1000036-0	Plug
F001	FR1005001-0	0.5A Circuit Breaker	J922	YP1000036-0	Plug
W001	YC0240001-0	For AC Supply AC Power Cord	J923	YP1000036-0	Plug
W002	YW2579001-4	Wire Materials	J924	YP1000036-0	Plug
*L001	LF1140036-0	AM Ant Coil	J925	YP1000036-0	Plug
L002	LB3007525-0	Balun	J926	YP1000036-0	Plug
L003	LC1223001-0	Choke Coil	J927	YP1000036-0	Plug
L004	TS1660201-0	Power Transformer	J928	YP1000036-0	Plug
*L005	LY4024002-0	Relay	J929	YP1000036-0	Plug
P900	YD2579001-0	For Switch PC Board	P980	YD2578011-0	P.C. Board
R901	GT0547212-0	4.7K ohm ±5% 1/2W Carbon Film	P984	RT1047414-0	470K ohm ±10% 1/4W Carbon Film
R902	GT0547212-0	4.7K ohm ±5% 1/2W Carbon Film	R985	RT1039314-0	39K ohm ±10% 1/4W Carbon Film

REF. MARANTZ DESIG. PART NO.	DESCRIPTION
R986 RC1033101-0	330 ohm 10% 1W Solid
C982 EA2270104-0	220uF 10V Elect.
C983 EA1050501-0	1uF 50V Elect.
H982 HT309842A-0	2SC984 (C or D) Transistor
H983 HT306962A-0	2SC696 (B or E) Transistor
J983 YP1000036-0	Plug
J984 YP1000036-0	Plug
J987 YP1000036-0	Plug
T981 257711806-0	Spacer

REF. MARANTZ DESIG. PART NO.	DESCRIPTION
---------------------------------	-------------



marantz.

MARANTZ CO., INC. • P.O. BOX 99 • SUN VALLEY, CALIFORNIA • 91352



A WHOLLY-OWNED SUBSIDIARY OF SUPERSCOPE INC., SUN VALLEY, CALIFORNIA 91352