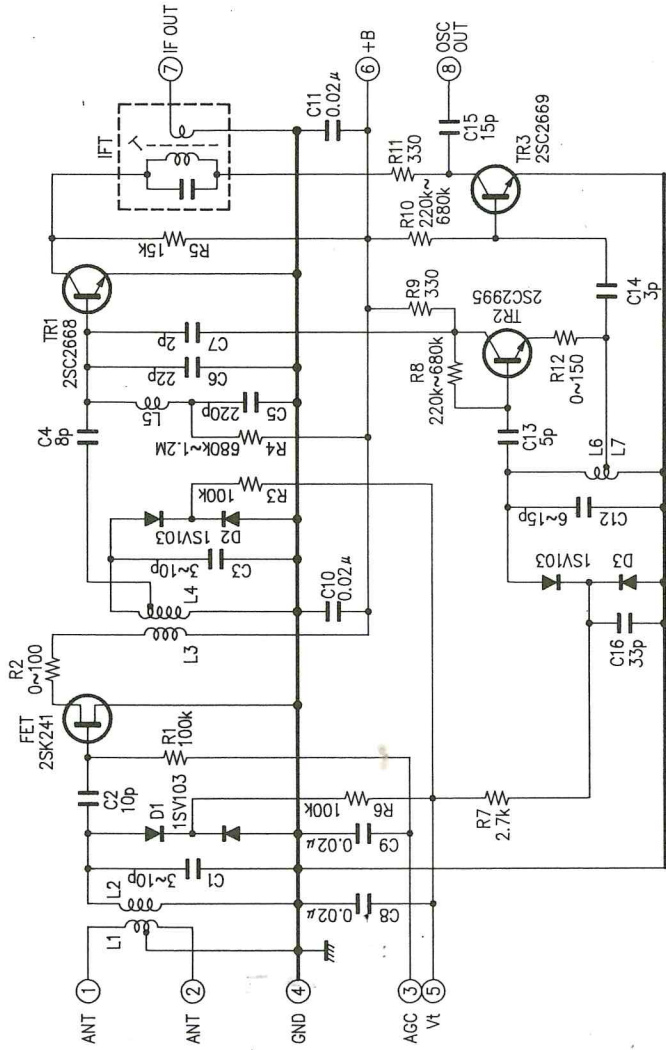


.....	2 ~ 11
.....	12, 13
.....	14
.....	14, 15
.....	16 ~ 19
.....	20
.....	20 ~ 22
.....	23
.....	24
.....	25
.....	25
.....	26
.....	27

FRONT END (U.S.A., Canada)



EXTERNAL TERMINALS

1. ANT
2. ANT
3. AGC
4. GND
5. Vt
6. +B
7. IF OUT
8. OSC OUT

