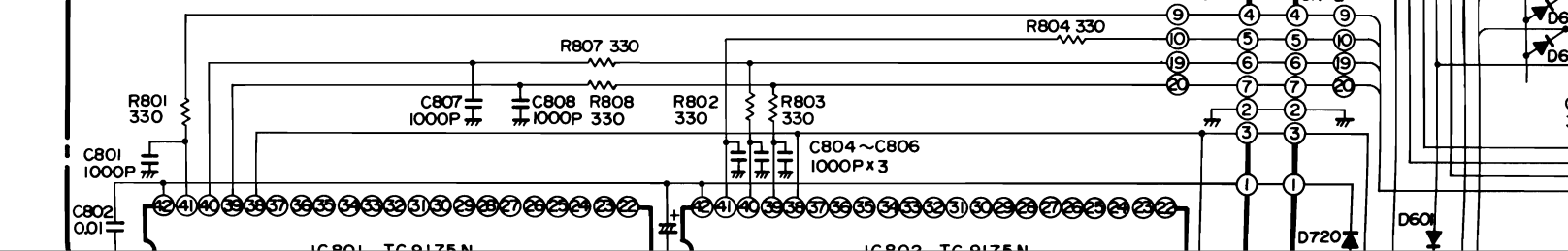
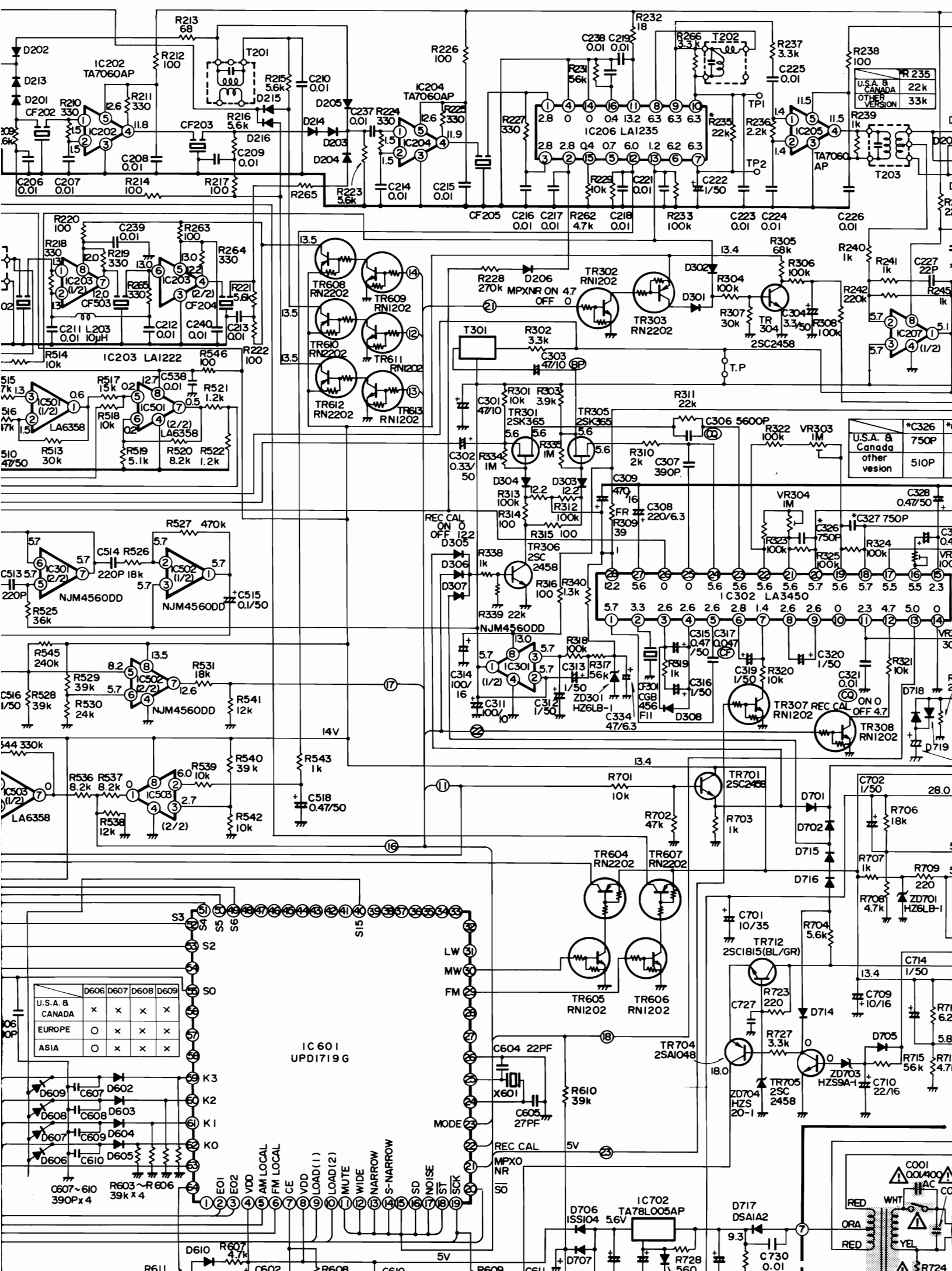


IU-1549-1



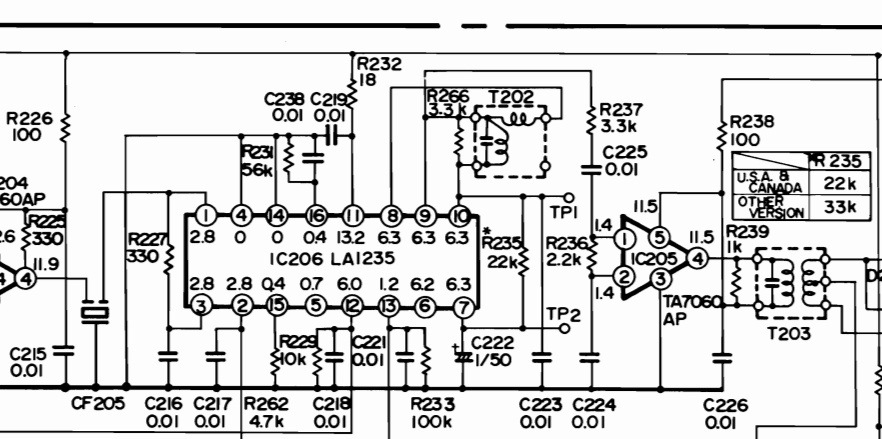
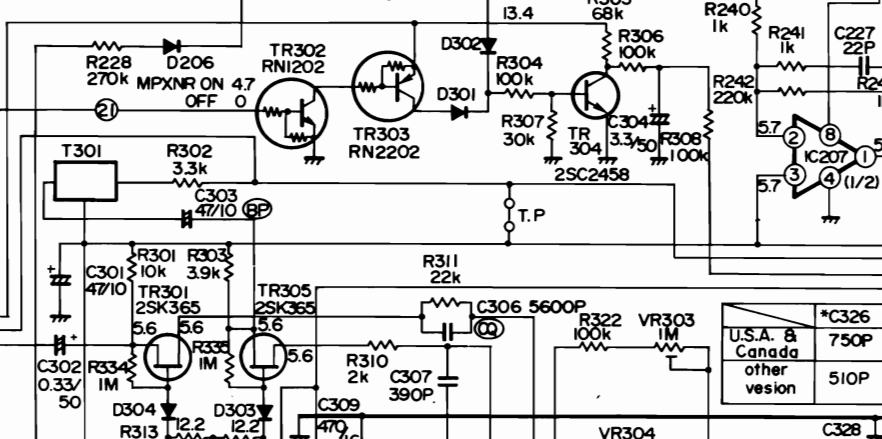
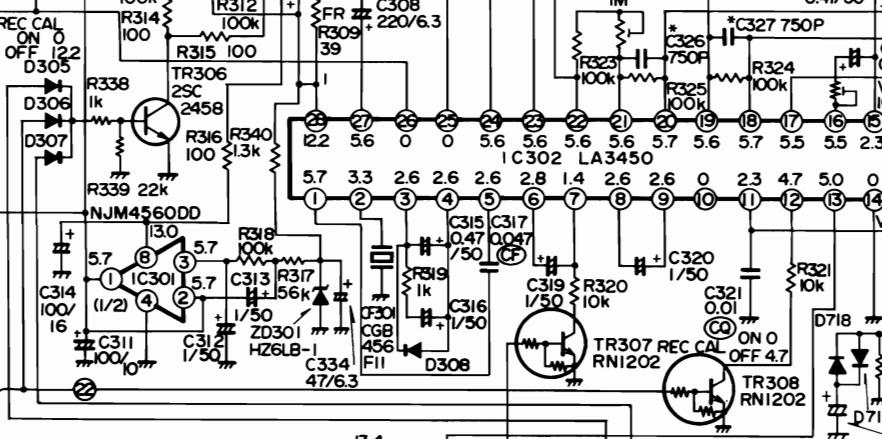
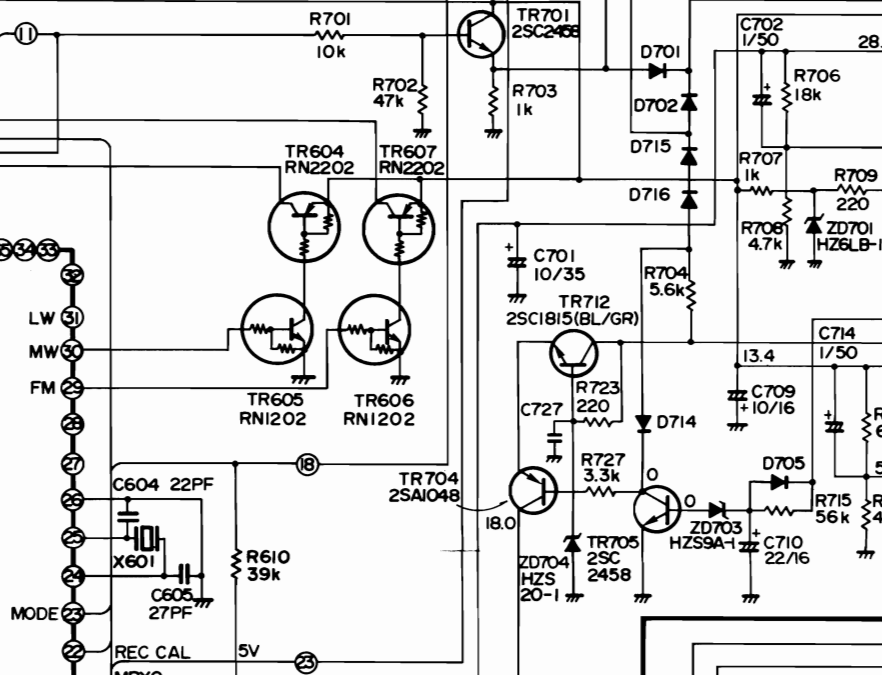
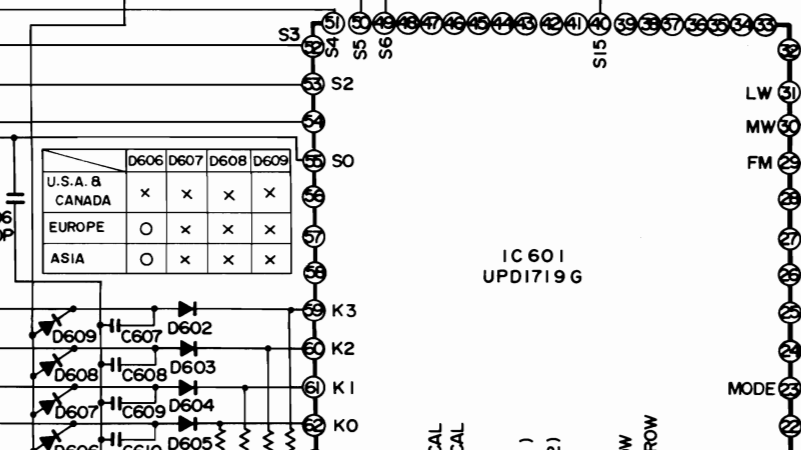
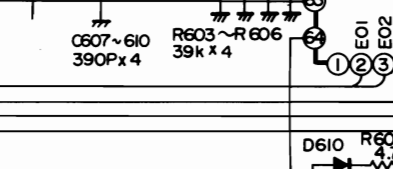


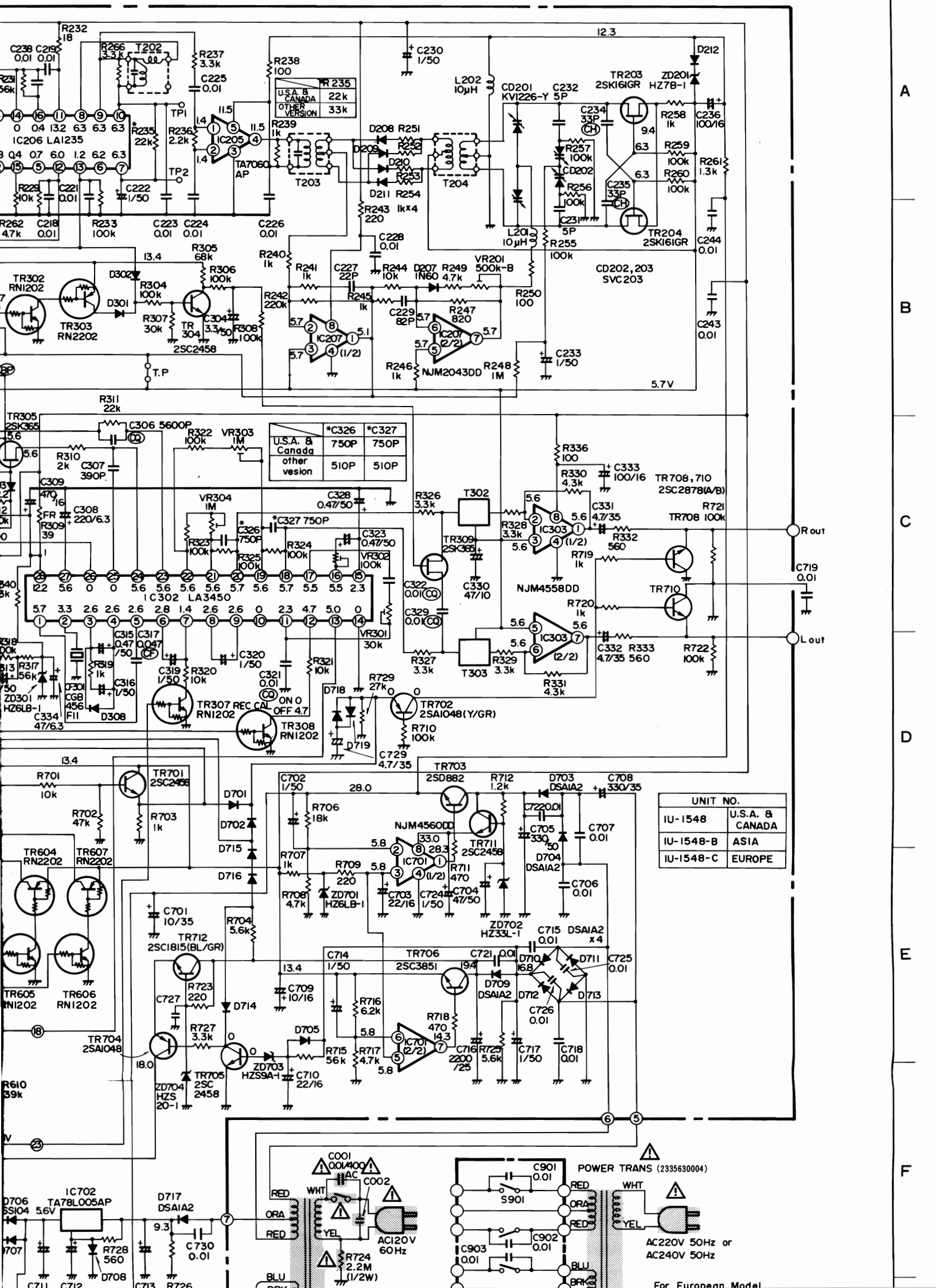
U.S.A. & CANADA	22k
OTHER VERSION	33k

U.S.A. & Canada	750P
other version	510P

	D606	D607	D608	D609
U.S.A. & CANADA	x	x	x	x
EUROPE	o	x	x	x
ASIA	o	x	x	x

IC 601  
UPD1719 G



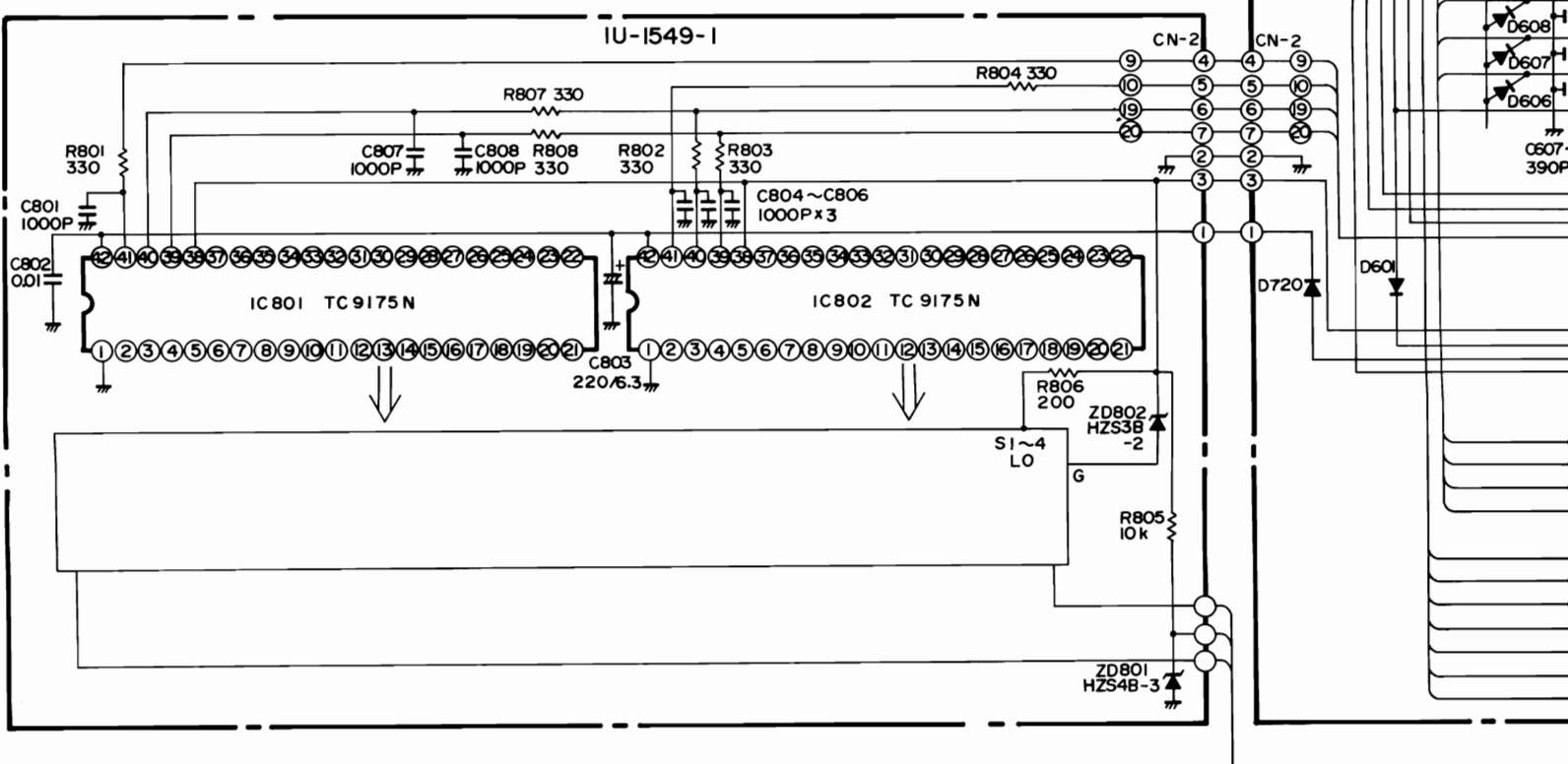
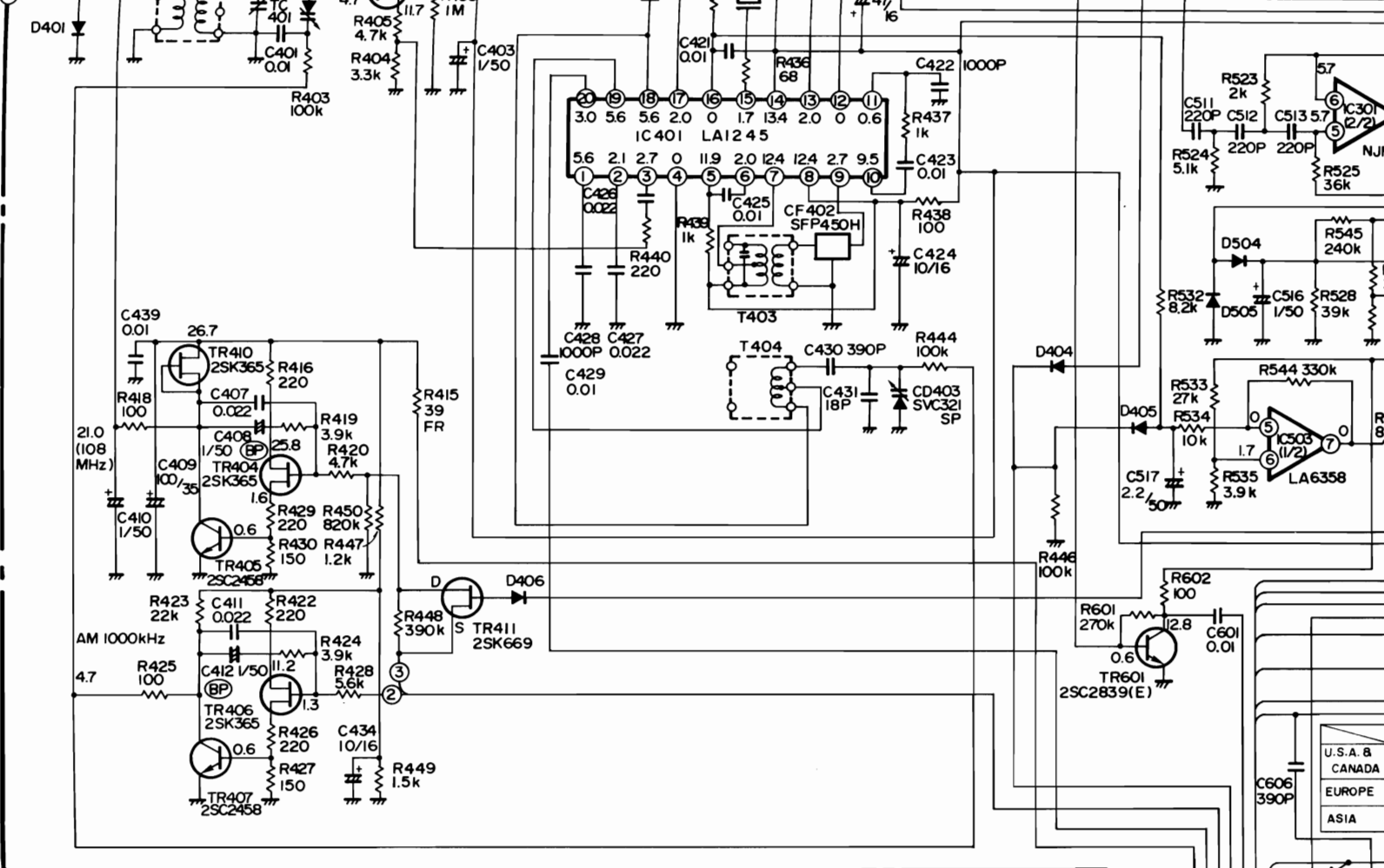


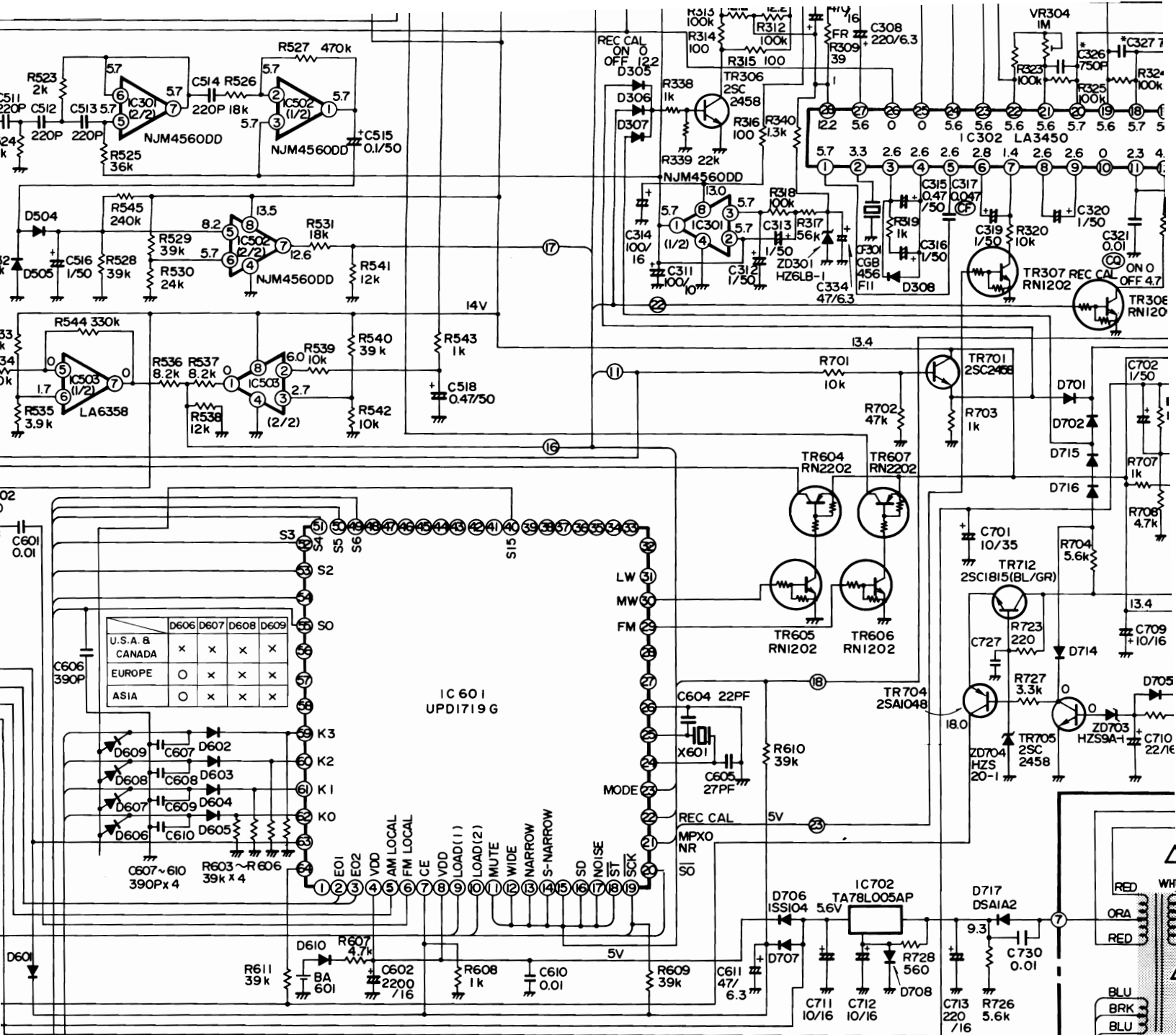
A  
B  
C  
D  
E  
F

	*C326	*C327
U.S.A. & Canada	750P	750P
other version	510P	510P

UNIT NO.	
IU-1548	U.S.A. & CANADA
IU-1548-B	ASIA
IU-1548-C	EUROPE

For European Model





	D606	D607	D608	D609
U.S.A. & CANADA	x	x	x	x
EUROPE	o	x	x	x
ASIA	o	x	x	x

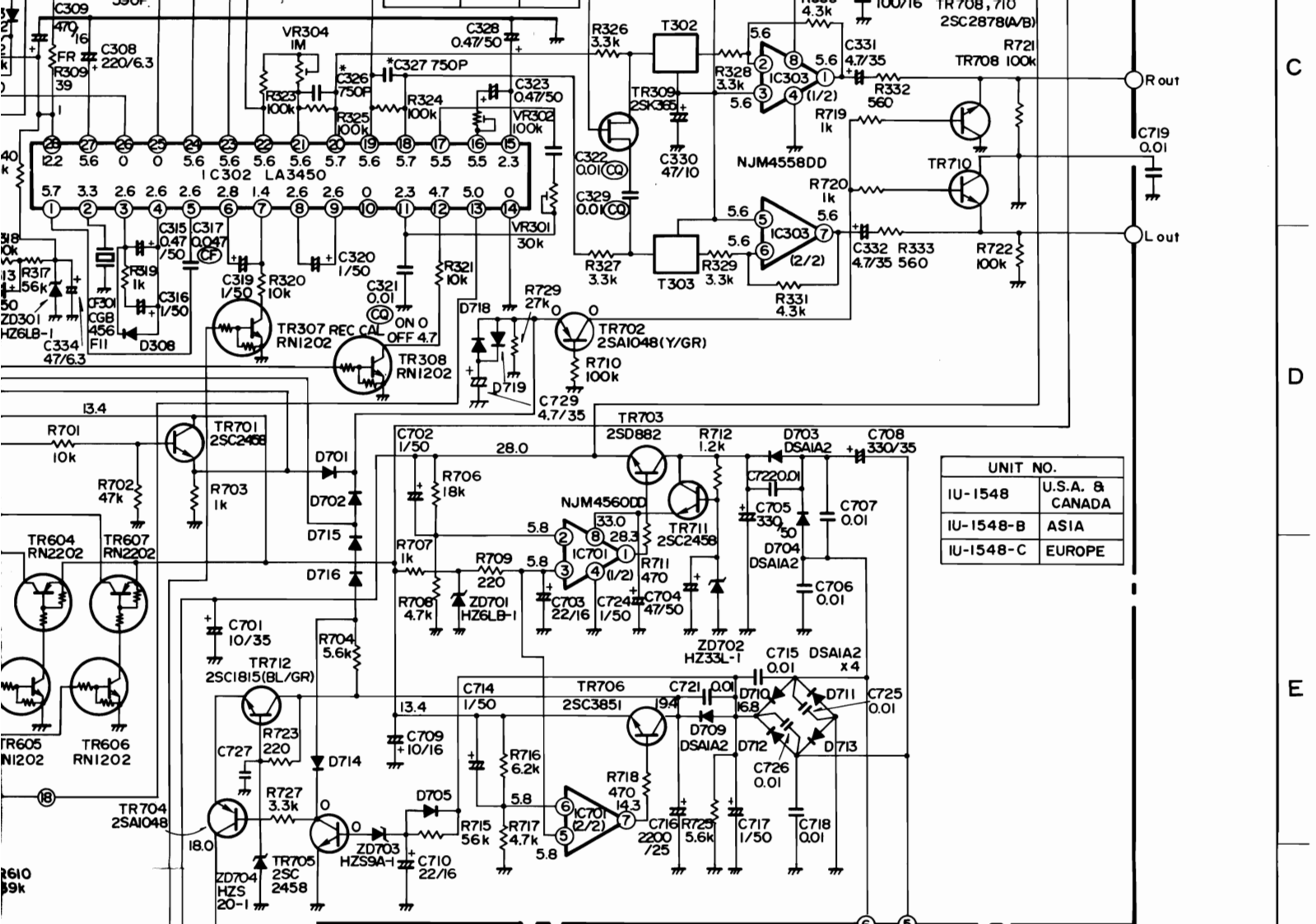
IC 601 UPDI719 G

②	⑥	⑩	⑭
①	2	3	4
⑤	6	7	8
⑨	0	DOWN	UP
⑬	AUTO MEMORY	/ = /	BAND
⑮	P. SCAN		IF BAND
⑰	MUTE	MPX NR	REC CAL
⑱	MEMORY	ENTER	MODE

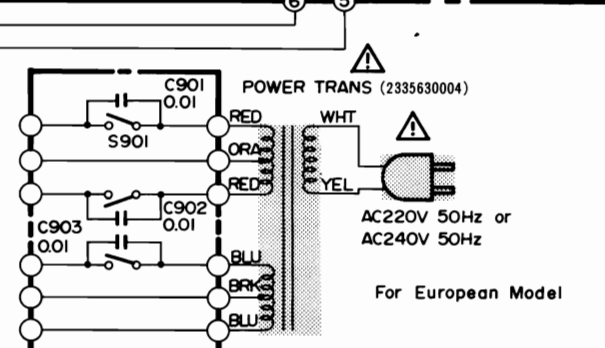
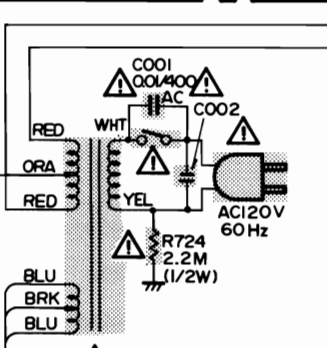
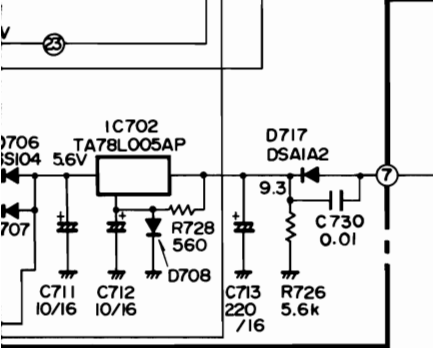
Model Name	Tuner Unit No.	Display Unit No.
Black for European	1U-1548C	1U-1549
Gold for European	1U-1548C	
Black for U.S.A. and Canada	1U-1548	
Black for Asia	1U-1548B	

⚠ Means important safety item, w when necessary, by a part specified or meeting manufacturer.

Notes:  
1. Unmark  
2. Display there is



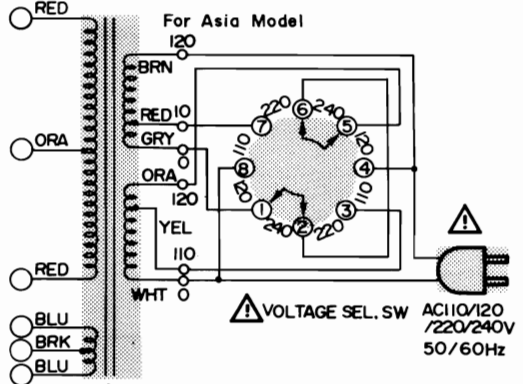
UNIT NO.	
IU-1548	U.S.A. & CANADA
IU-1548-B	ASIA
IU-1548-C	EUROPE



②	⑤	⑥	⑨
1	2	3	4
5	6	7	8
9	0	DOWN	UP
JTO MORY	/ = /	BAND	AUTO MANUAL
SCAN		IF BAND	IF MODE
UTE	MPX NR	REC CAL	MODE
MORY	ENTER		

**POWER TRANS** (2335627004)  
For U.S.A. and Canada Models

Notes:  
1. Unmarked diodes are the ISS270.  
2. Display voltages are for when there is no FM or AM signal.



**POWER TRANS** (2335631003)  
For Asia Model

⚠ Means important safety item, which must be replaced, when necessary, by a part specified or meeting the specification by the manufacturer.

NOTES  
ALL RESISTANCE VALUES IN OHM K=1,000 OHM M=1,000,000 OHM  
ALL CAPACITANCE VALUES IN MICRO FARAD P=MICRO-MICRO FARAD  
EACH VOLTAGE AND CURRENT ARE MEASURED AT NO SIGNAL INPUT CONDITION.  
CIRCUIT AND PARTS ARE SUBJECT TO CHANGE WITHOUT PRIOR NOTICE.

Unit No.  
1549