

# SERVICE MANUAL

DIGITAL SYNTHESIZER TUNER

## SANSUI TU-D99X



### NOTE

TU-D99X is additional model which external appearances are different from those of TU-S77X.

This manual contains **OTHER PARTS LIST**, **PACKING LIST** and **ACCESSORY LIST** in which changed parts are printed with bold-face.

For other parts list, refer to TU-S77X/S77XW service manual previously issued.

### •SPECIFICATIONS

#### FM Section

Tuning range..... 88 to 108 MHz

#### Usable sensitivity

Mono IHF ..... 10.8 dBf (1.9  $\mu$ V : T100)  
DIN ..... 0.95  $\mu$ V

#### 50 dB quieting sensitivity

Mono ..... 16.2 dBf  
Stereo ..... 37.7 dBf

#### Signal to noise ratio at 85 dBf

Mono ..... 90 dB  
Stereo ..... 85 dB

#### Distortion at 65 dBf

Mono ..... less than 0.015% at 1,000 Hz  
Stereo ..... less than 0.02% at 1,000 Hz

#### Alternate channel selectivity (at 400 kHz)

NARROW..... 60 dB

#### Capture ratio ..... 1.0 dB

Image response ratio..... 100 dB

Spurious response ratio... 100 dB

Stereo separation ..... 60 dB at 1,000 Hz

#### Frequency response

Stereo ..... 20 to 15,000 Hz  
+0.2 dB, -0.5 dB

#### Antenna input impedance

..... 300 ohms balanced  
75 ohms unbalanced

#### AM Section

Tuning range..... 530 to 1,600 kHz

Usable sensitivity ..... 50 dB/m (316  $\mu$ V/m)

Signal to noise ratio ..... 50 dB

Image response ratio..... 45 dB at 1,000 kHz

#### Others

#### Output voltage and impedance

..... 775 mV/2.2 kohms

Power requirements ..... 120/220/240V  
50/60 Hz

For U.S.A. and Canada

..... 120V (60 Hz)

Power consumption ..... 13 watts

#### Dimensions

w/o sidewood..... 430 mm (16-15/16")W  
57 mm (2-1/4")H  
306 mm (12-1/16")D  
w/ sidewood..... 466 mm (18-3/8")W  
57 mm (2-1/4")H  
306 mm (12-1/16")D

#### Weight

w/o sidewood..... 3.5 kg (7.7 lbs) net  
4.3 kg (9.5 lbs) packed  
w/ sidewood..... 4.0 kg (8.8 lbs) net  
4.8 kg (10.6 lbs) packed

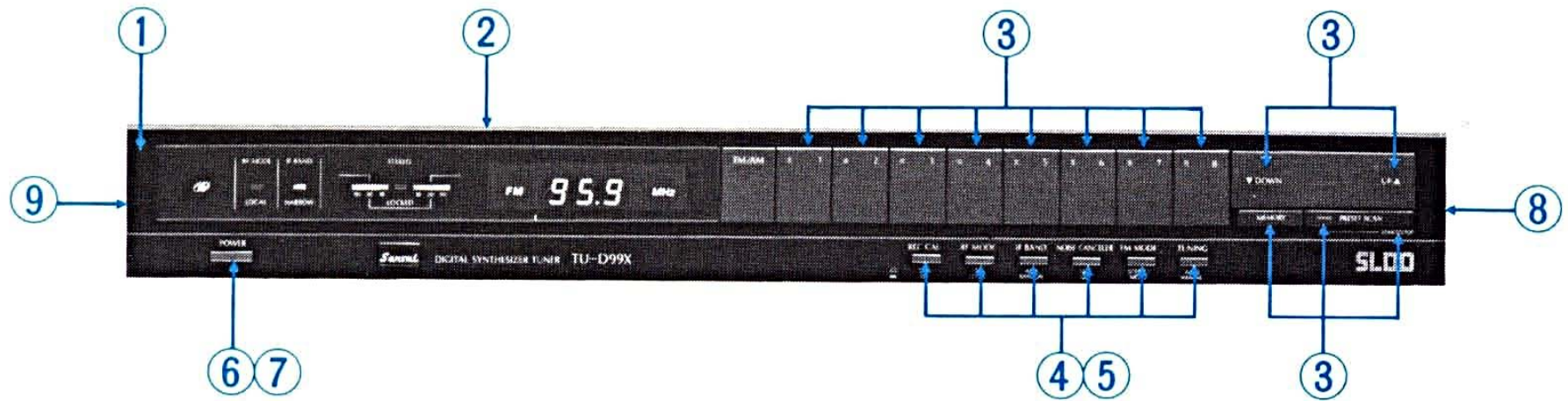
\* Design and specifications subject to changes without notice for improvements.  
\* In order to simplify the explanation illustrations may sometimes differ from the originals.

**Sansui**

SANSUI ELECTRIC CO., LTD.

# 1. OTHER PARTS

## ● Front View



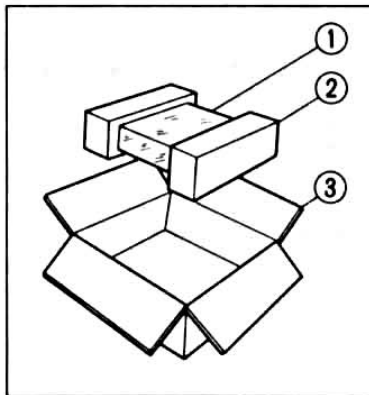
### Parts List

Parts No.	Stock No.	Description
1	47618100	Front Panel Ass'y
2	47440300	Bonnet
3	46708100	Push SW., FM/AM, MEMORY, DOWN, UP, PRESET STATION, PRESET SCAN
4	47300300	Knob, REC CAL, RF MODE, IF BAND, TUNING, FM MODE NOISE CANCELLER

Parts No.	Stock No.	Description
5	46725300	Push SW., REC CAL, RF MODE, IF BAND, TUNING, FM MODE, NOISE CANCELLER
6	47324600	Knob, POWER
7	46413900	Push SW., POWER
8	47326610	Side Panel (Right)
9	47326410	Side Panel (Left)

# 2. PACKING LIST

Parts No.	Stock No.	Description
1	47431100	Vinyl Bag
2	47325700	Styrofoam Packing
3	47619500	Carton Case



# 3. ACCESSORY LIST

Stock No.	Description
07233600	F-type Connector (Male)
46051700	FM Antenna
46548700	AM Loop Antenna
07193400	Pin Plug Cord
46961200	Operating Instruction



SANSUI ELECTRIC CO., LTD.:

SANSUI ELECTRONICS CORPORATION:

SANSUI ELECTRONICS (U.K.) LTD.:  
SANSUI ELECTRONICS G.M.B.H.:

14-1, Izumi 2-chome, Suginami-ku, Tokyo 168 Japan  
PHONE: (03) 324-8891/TELEX: 232-2076 (International Division)  
1250 Valley Brook Ave. Lyndhurst, N.J. 07071 U.S.A.  
17150 South Margay Ave. Carson, California 90746 U.S.A.  
3036 Koapaka Street. Honolulu, Hawaii 96819 U.S.A.  
Unit 10A, Lyon Industrial Estate, Rockware Avenue, Geenford, Middx UB6, OAA, England  
Pau Ehrich Strasse 8, 6074 Rödermark 2, West Germany